

Rolling Bearings



**SPINDEL- UND LAGERUNGSTECHNIK
FRAUREUTH GMBH**



Rolling Bearings

Edition 09/2015



**SPINDEL- UND LAGERUNGSTECHNIK
FRAUREUTH GMBH**



Content

Preface	Page 5
Bearing data	Page 6
Tolerances Tolerance symbols	Page 6
Tolerances of radial bearings	Page 10
Tolerances of thrust bearings	Page 20
Bearing clearance	Page 26
Codes for bearings except spindle bearings and angular contact ball bearings	Page 30
Prefix and suffix	Page 30
Codes for spindle bearings and angular contact ball bearings	Page 40
Prefix and suffix	Page 40
Deep groove balls bearings	Page 46
Single-row	Page 46
Single-row wide series	Page 82
Magneto bearings	Page 88
Angular contact ball bearings, single-row	Page 92
Spindle bearings	Page 122
Spindle bearings – high-speed spindle bearings in standard and hybrid version	Page 144
Four-point bearings	Page 164
Self-aligning ball bearings with cylindrical and taper bore	Page 170

Cylindrical roller bearings	Page 184
Single-row	Page 184
Abutment rings	Page 258
Full-complement, single-row	Page 260
Full-complement, two-row	Page 270
High-precision cylindrical roller bearings	Page 280
Two-row	Page 280
Single-row	Page 286
Thrust cylindrical roller bearings, single-row	Page 294
Self-aligning roller bearings	Page 302
Clamping sleeves	Page 326
S-type bearings	Page 330
Bearings	Page 330
Housing units	Page 334
Pillow block units	Page 336
Flange bearing units	Page 340
Two-hole flange bearing units	Page 344
Four-hole flange bearing units	Page 348
Clamping bearing units	Page 352
General terms and conditions	Page 356

The Company SLF

Since 1993, the company Spindel- und Lagerungstechnik Fraureuth GmbH (SLF) has successfully followed a 60 year course of tradition in the field of development and production of bearings at the site in Fraureuth.

The company manufactures ball and roller bearings with outer diameter ranges from 40 mm to 1600 mm.

In addition to the product groups listed in the catalogue, special bearings are also manufactured according to customer requirements in a diverse range of dimensions and quantities. All products fulfil the requirements in compliance with the DIN and ISO standards.

Spindel- und Lagerungstechnik Fraureuth GmbH (SLF) is successfully certified in accordance with DIN EN ISO 9001:2008. This quality standard corresponds to that of comparable primary brands.

Our products are respectively marked with the “SLF” trademark. Single pack, multipack and bulk pack shipment is provided on request.

Our service offer also includes the reconditioning of roller bearings.

For further information about our company please visit our website www.slf-fraureuth.de.

Bore diameter

Symbol	Description	Calculation formula
d	Nominal diameter of bore	
d_s	Individual bore diameter	
d_{sp}	Individual bore diameter in single plane	
Δ_{ds}	Deviation of individual bore diameter, difference between an individual bore diameter and the nominal diameter of the bore	$\Delta_{ds} = d_s - d$
V_{ds}	Variation in bore diameter, difference between the largest and smallest individual bore diameter of an individual ring	$V_{ds} = d_{smax} - d_{smin}$
d_m	Average bore diameter, arithmetic mean of the largest and smallest of the individual bore diameters of an individual ring	$d_m = (d_{smax} + d_{smin})/2$
Δ_{dm}	Deviation of average bore diameter, difference between the average bore diameter and the nominal diameter of the bore	$\Delta_{dm} = d_m - d$
d_{1mp}	Average theoretical large diameter at taper bore, arithmetic mean of the largest and smallest measured bore diameter	
d_{mp}	Average bore diameter in a single plane, arithmetic mean of the largest and smallest individual bore diameter determinable in a radial plane	$d_{mp} = (d_{spmax} + d_{spmin})/2$
Δ_{dmp}	Deviation of average bore diameter in a single plane, difference between the average bore diameter and the nominal diameter in a radial plane	$\Delta_{dmp} = d_{mp} - d$
V_{dp}	Variation of individual bore diameter in a single plane, difference between the largest and smallest bore diameter determinable in a radial plane	$V_{dp} = d_{pmax} - d_{pmin}$
V_{dmp}	Variation of medium bore diameter, difference between the largest and smallest medium bore diameter determinable in individual radial planes respectively at an individual ring,	$V_{dmp} = d_{mpmax} - d_{mpmin}$
V_{dp/2}	Roundness of a plane	

Shell diameter

Symbol	Description	Calculation formula
D	Nominal diameter of shell (outer diameter)	
D_s	Individual shell diameter	
D_{sp}	Individual shell diameter in a single plane	
Δ_{Ds}	Deviation of individual shell diameter, difference between an individual shell diameter and the nominal diameter of the shell	$\Delta_{Ds} = D_s - D$
V_{Ds}	Variation of shell diameter, difference between the largest and smallest individual shell diameter of an individual ring	$V_{Ds} = D_{smax} - D_{smin}$
D_m	Average shell diameter, arithmetic mean of the largest and smallest individual shell diameter of an individual ring	$D_m = (D_{smax} + D_{smin})/2$
Δ_{Dm}	Deviation of average shell diameter, difference between the average shell diameter and the nominal diameter of the shell	$\Delta_{Dm} = D_m - D$
D_{mp}	Average shell diameter in a single plane, arithmetic mean of the largest and smallest individual shell diameter determinable in a radial plane	$D_{mp} = (D_{spmax} + D_{spmin})/2$
Δ_{Dmp}	Deviation of average shell diameter in a single plane, difference between the average shell diameter and the nominal diameter of the shell in an individual radial plane	$\Delta_{Dmp} = D_{mp} - D$
V_{Dp}	Variation of individual shell diameter in a single plane, difference between the largest and smallest individual shell diameter determinable in an individual radial plane	$V_{Dp} = D_{pmax} - D_{pmin}$
V_{Dmp}	Variation of average shell diameter, difference between the largest and smallest average shell diameter determinable in individual radial planes an individual ring	$V_{Dmp} = D_{mpmax} - D_{mpmin}$
V_{Dp/2}	Roundness of a plane	

Width

Symbol	Description	
B	Nominal width of inner ring	
C	Nominal width of outer ring	
B_S	Individual inner ring width	
C_S	Individual outer ring width	
Δ_{Bs}	Deviation of individual inner ring width, difference between an individual inner ring width and the nominal width of the inner ring	$\Delta_{Bs} = B_s - B$
Δ_{Cs}	Deviation of individual outer ring width, difference between an individual outer ring width and the nominal width of the outer ring	$\Delta_{Cs} = C_s - C$
V_{Bs}	Variation of inner ring width, difference between the largest and smallest actual individual ring width of an individual inner ring	$V_{Bs} = B_{smax} - B_{smin}$
V_{Cs}	Variation of outer ring width, difference between the largest and smallest actual individual ring width of an individual outer ring	$V_{Cs} = C_{smax} - C_{smin}$
B_m	Average inner ring width, arithmetic mean of the largest and smallest individual ring width determinable at an outer ring	$B_m = (B_{smax} + B_{smin})/2$
C_m	Average outer ring width, arithmetic mean of the largest and smallest individual ring width determinable at an outer ring	$C_m = (C_{smax} + C_{smin})/2$

Chamfer dimensions

Symbol	Description
r	Nominal chamfer dimensions
r_S	Individual chamfer dimensions
r_{Smin}	Smallest individual chamfer dimensions, smallest permissible and individual radial and axial chamfer dimensions of a ring
r_{Smax}	Largest individual chamfer dimensions, largest permissible and individual radial and axial chamfer dimensions of a ring

Deviation of wall thickness

Symbol	Description
K_i	Variation in wall thickness between inner ring raceway and bore, difference between the largest and smallest radial distance between the bore surface and the raceway on the outside of the inner ring, in middle of the raceway
K_e	Variation in wall thickness between outer ring raceway and outer ring shell, difference between the largest and smallest radial distance between the shell surface and the raceway on the inside of the outer ring, in middle of the raceway

Running accuracy

Radial run-out

Symbol	Description
K_{ia}	Radial run-out of the inner ring at the assembled bearing, difference between the largest and smallest radial distance between the bore surface of the inner ring, with different angle position of the inner ring, and a fixed point relating to the outer ring
K_{ea}	Radial run-out of the outer ring at the assembled bearing, difference between the largest and smallest radial distance between the shell surface of the outer ring, with different angle position of the outer ring, and a fixed point relating to the inner ring

Lateral run-out

Symbol	Description
S_d	Axial run-out of the inner ring lateral surface to the bore (lateral run-out)
S_D	Variation in slope of the shell line to the reference side surface (lateral run-out)

Axial run-out

Symbol	Description
S_{ia}	Axial run-out of the inner ring at the assembled bearing, difference between the largest and smallest axial distance between the reference side surface of the inner ring, with different angle positions of the inner ring, at a radial distance from the inner ring axis equal to half of the raceway diameter of the inner ring and at a fixed point relating to the outer ring
S_{ea}	Axial run-out of the outer ring at the assembled bearing, difference between the largest and smallest axial distance between the reference side surface of the outer ring, with different angle positions of the outer ring, at a radial distance from the outer ring axis equal to half of the raceway diameter of the outer ring and at a fixed point relating to the inner ring

Tolerance class PN

Inner ring (dimensions in mm)																	
Nominal bore diameter	over up to	10	18	30	50	80	120	180	250	315	400	500	630	800			
Tolerance class PN (standard tolerance), (tolerances in μm)																	
Bore, cylindrical deviation	Δ_{dmp}	0	0	0	0	0	0	0	0	0	0	0	0	0			
Variation V_{dp}	Diameter series 7 • 8 • 9	10	13	15	19	25	31	38	44	50	56	63	94	125			
	0 • 1	8	10	12	19	25	31	38	44	50	56	63	94	125			
	2 • 3 • 4	6	8	9	11	15	19	23	26	30	34	38	55	75			
Variation	V_{dmp}	6	8	9	11	15	19	23	26	30	34	38	55	75			
Bore, taper 1:12 deviation	Δ_{dmp}	+18	+21	+25	+30	+35	+40	+46	+52	+57	+63	+70	+80	+90			
Deviation	Δ_{d1mp}	+18	+21	+25	+30	+35	+40	+46	+52	+57	+63	+70	+80	+90			
	Δ_{dmp}	0	0	0	0	0	0	0	0	0	0	0	0	0			
Variation	V_{dp}	10	13	15	19	25	31	38	44	50	56	63	94	125			
Bore, taper 1:30 deviation	Δ_{dmp}				+15	+20	+25	+30	+35	+40	+45	+50	+75	+100			
Deviation	Δ_{d1mp}				+35	+40	+50	+55	+60	+65	+75	+85	+100	+100			
	Δ_{dmp}				0	0	0	0	0	0	0	0	0	0			
Variation	V_{dp}				19	25	31	38	44	50	56	63	94	125			
Width deviation	Δ_{Bs}	0	0	0	0	0	0	0	0	0	0	0	0	0			
		-120	-120	-120	-150	-200	-250	-300	-350	-400	-450	-500	-750	-1000			
Width variation	V_{Bs}	20	20	20	25	25	30	30	35	40	50	60	70	80			
Radial runout	K_{ia}	10	13	15	20	25	30	40	50	60	65	70	80	90			
Outer ring (dimensions in mm)																	
Nominal outer diameter	over up to	18	30	50	80	120	150	180	250	315	400	500	630	800	1000	1250	1600
Tolerance class PN (standard tolerance), (tolerances in μm)																	
Deviation	$\Delta_{\text{Dmp}}^{1)}$	0	0	0	0	0	0	0	0	0	0	0	0	0	0	0	0
Variation V_{Dp}	Diameter series 7 • 8 • 9	12	14	16	19	23	31	38	44	50	56	63	94	125	155	200	
	0 • 1	9	11	13	19	23	31	38	44	50	56	63	94	125	155	200	
	2 • 3 • 4	7	8	10	11	14	19	23	26	30	34	38	55	75	94	120	
Variation	sealed bearings 0 • 1 • 2 • 3 • 4	12	16	20	26	30	38	44	52	60	68						
	V_{Dmp}	7	8	10	11	14	19	23	26	30	34	38	55	75			
Radial runout	K_{ea}	9	10	13	18	20	23	25	30	35	40	50	60	75	100	100	

The width tolerances Δ_{Cs} and V_{Cs} are identical to Δ_{Bs} and V_{Bs} for the associated inner ring. ¹⁾The outside diameter deviation of all magneto bearings is 0/+10 μm .

Tolerance class P6

Inner ring (dimensions in mm)																	
Nominal bore diameter	over up to	10	18	30	50	80	120	180	250	315	400	500	630	800			
Tolerance class P6 (tolerances in μm)																	
Deviation	Δ_{dmp}	0	0	0	0	0	0	0	0	0	0	0	0	0			
		-7	-8	-10	-12	-15	-18	-22	-25	-30	-35	-40	-50	-65			
Variation V_{dp}	Diameter series 7 • 8 • 9	9	10	13	15	19	23	28	31	38	44	50	64	80			
	0 • 1	7	8	10	15	19	23	28	31	38	44	50	64	80			
	2 • 3 • 4	5	6	8	9	11	14	17	19	23	26	30	38	50			
Variation	V_{dmp}	5	6	8	9	11	14	17	19	23	26	30	38	50			
Width deviation	Δ_{Bs}	0	0	0	0	0	0	0	0	0	0	0	0	0			
		-120	-120	-120	-150	-200	-250	-300	-350	-400	-450	-500	-750	-1000			
Width variation	V_{Bs}	20	20	20	25	25	30	30	35	40	45	50	55	60			
Radial runout	K_{ia}	7	8	10	10	13	18	20	25	30	35	40	50	60			
Outer ring (dimensions in mm)																	
Nominal outer diameter	over up to	18	30	50	80	120	150	180	250	315	400	500	630	800	1000	1250	1600
Tolerance class P6 (tolerances in μm)																	
Deviation	Δ_{Dmp}	0	0	0	0	0	0	0	0	0	0	0	0	0	0	0	0
		-8	-9	-11	-13	-15	-18	-20	-25	-28	-33	-38	-45	-60	-80	-100	
Variation V_{Dp}	Diameter series 7 • 8 • 9	10	11	14	16	19	23	25	31	35	41	48	56	75	100	125	
	0 • 1	8	9	11	16	19	23	25	31	35	41	48	56	75	100	125	
	2 • 3 • 4	6	7	8	10	11	14	15	19	21	25	29	34	45	60	75	
Variation	sealed bearings 0 • 1 • 2 • 3 • 4	10	13	16	20	25	30	35	42	48	56						
	V_{Dmp}	6	7	8	10	11	14	15	19	21	25	29	34	45	60	75	
Radial runout	K_{ea}	9	10	13	18	20	23	25	30	35	40	50	60	75	100	100	

The width tolerances Δ_{Cs} and V_{Cs} are identical to Δ_{Bs} and V_{Bs} for the associated inner ring.

Tolerance class P5

Inner ring (dimensions in mm)																
Nominal bore diameter	over up to	10	18	30	50	80	120	180	250	315	400	500	630			
		18	30	50	80	120	180	250	315	400	500	630	800			
Tolerance class P5 (tolerances in μm)																
Deviation	Δ_{dmp}	0	0	0	0	0	0	0	0	0	0	0	0			
		-5	-6	-8	-9	-10	-13	-15	-18	-23	-27	-33	-40			
Variation	Diameter series	5	6	8	9	10	13	15	18	23	26	32	40			
V_{dp}	7 • 8 • 9															
	0 • 1 • 2 • 3 • 4	4	5	6	7	8	10	12	14	18	20	24	30			
Variation	V_{dmp}	3	3	4	5	5	7	8	9	12	14	17	20			
Width deviation	Δ_{Bs}	0	0	0	0	0	0	0	0	0	0	0	0			
		-80	-120	-120	-150	-200	-250	-300	-350	-400	-450	-500	-750			
Width variation	V_{Bs}	5	5	5	6	7	8	10	13	15	17	20	30			
Radial runout	K_{ia}	4	4	5	5	6	8	10	13	15	17	20	25			
Side face runout ... ¹⁾	S_{d}	7	8	8	8	9	10	11	13	15	17	20	30			
Assembled bearing inner ring ... ²⁾	S_{ia}	7	8	8	8	9	10	13	15	20	23	25	30			
The ratings S_{ia} apply to deep groove ball bearings. ¹⁾ ... of inner ring with reference to bore ²⁾ ... face runout with raceway (axial runout)																
Outer ring (dimensions in mm)																
Nominal outer diameter	over up to	18	30	50	80	120	150	180	250	315	400	500	630	800	1000	1250
		30	50	80	120	150	180	250	315	400	500	630	800	1000	1250	1600
Tolerance class P5 (tolerances in μm)																
Deviation	Δ_{Dmp}	0	0	0	0	0	0	0	0	0	0	0	0	0	0	0
		-6	-7	-9	-10	-11	-13	-15	-18	-20	-23	-28	-35	-40	-50	-65
Variation	Diameter series	6	7	9	10	11	13	15	18	20	23	28	35	44	54	70
V_{Dp}	7 • 8 • 9															
	0 • 1 • 2 • 3 • 4	5	5	7	8	8	10	11	14	15	17	21	26	34	40	54
Variation	V_{Dmp}	3	4	5	5	6	7	8	9	10	12	14	18	23	30	35
Width variation	V_{Cs}	5	5	6	8	8	8	10	11	13	15	18	20	25	30	40
Radial runout	K_{ea}	6	7	8	10	11	13	15	18	20	23	25	30	35	50	65
Variation in inclination ... ¹⁾	S_{D}	8	8	8	9	10	10	11	13	13	15	18	20	30	40	50
Assembled bearing ... ²⁾	S_{ea}	8	8	10	11	13	14	15	18	20	23	25	30	40	55	70
The width tolerance Δ_{Cs} is identical to Δ_{Bs} for the associated inner ring. The ratings S_{ea} apply to deep groove ball bearings. ¹⁾ ... of outside cylindrical surface to outer ring side face ²⁾ ... outer ring face runout with raceway (axial runout)																

Tolerance class P4

Inner ring (dimensions in mm)																
Nominal bore diameter	over up to	10	18	30	50	80	120	180	250	315	400	500	630			
		18	30	50	80	120	180	250	315	400	500	630	800			
Tolerance class P4 (tolerance in μm)																
Deviation	$\Delta_{\text{dmp}}, \Delta_{\text{ds}}^{1)}$	0	0	0	0	0	0	0	0	0	0	0	0			
		-4	-5	-6	-7	-8	-10	-12	-15	-19	-23	-26	-34			
Roundness	Diameter series	2	2,5	3	3,5	4	5	6	7,5	9,5	11	13	16			
$V_{\text{dp}}/2$	7 • 8 • 9															
	0 • 1 • 2 • 3 • 4	1,5	2	2,5	2,5	3	4	4,5	6	7	8,5	10	12			
Variation	V_{dmp}	2	2,5	3	3,5	4	5	6	8	10	12	13	16			
Width deviation	Δ_{Bs}	0	0	0	0	0	0	0	0	0	0	0	0			
		-80	-120	-120	-150	-200	-250	-300	-350	-400	-450	-500	-750			
Width variation	V_{Bs}	2,5	2,5	3	4	4	5	6	7	8	9	10	15			
Radial runout	K_{ia}	2,5	3	4	4	5	6	8	8	10	12	14	17			
Side face runout ... ²⁾	S_{d}	3	4	4	5	5	6	7	8	10	12	14	17			
Assembled bearing inner ring ... ³⁾	S_{ia}	3	4	4	5	5	7	8	10	12	15	18	21			
1) Those values Δ_{ds} and Δ_{Ds} only apply for diameter series 0 • 1 • 2 • 3 • 4. ²⁾ ... of inner ring with reference to bore ³⁾ ... face runout with raceway (axial runout)																
Outer ring (dimensions in mm)																
Nominal outer diameter	over up to	18	30	50	80	120	150	180	250	315	400	500	630	800	1000	1250
		30	50	80	120	150	180	250	315	400	500	630	800	1000	1250	1600
Tolerance class P4 (tolerances in μm)																
Deviation	$\Delta_{\text{Dmp}}, \Delta_{\text{Ds}}^{1)}$	0	0	0	0	0	0	0	0	0	0	0	0	0	0	0
		-5	-6	-7	-8	-9	-10	-11	-13	-15	-18	-22	-28	-35	-40	-55
Roundness	Diameter series	2,5	3	3,5	4	4,5	5	5,5	6,5	7,5	9	11	13	16	20	25
$V_{\text{Dp}}/2$	7 • 8 • 9															
	0 • 1 • 2 • 3 • 4	2	2,5	2,5	3	3,5	4	4	5	5,5	7	8,5	10	13	15	19
Variation	V_{Dmp}	2,5	3	3,5	4	5	5	6	7	8	9	11	13	17	20	25
Width variation	V_{Cs}	2,5	2,5	3	4	5	5	7	7	8	9	10	12	15	20	25
Radial runout	K_{ea}	4	5	5	6	7	8	10	11	13	14	17	20	25	30	40
Variation in inclination ... ²⁾	S_{D}	4	4	4	5	5	5	7	8	10	10	12	14	20	25	30
Assembled bearing ... ³⁾	S_{ea}	5	5	5	6	7	8	10	10	13	15	18	22	28	35	45
The width tolerance Δ_{Cs} is identical to Δ_{Bs} for the associated inner ring. ²⁾ ... of outside cylindrical surface to outer ring side face ³⁾ ... outer ring face runout with raceway (axial runout)																

Tolerance class P4S

Inner ring (dimensions in mm)													
Nominal bore diameter	over up to	0 10	10 18	18 30	30 50	50 80	80 120	120 150	150 180	180 250	250 315	315 400	400 500
Tolerance class P4S (tolerances in µm)													
Deviation	$\Delta_{dmp}, \Delta_{ds}$	0 -4	0 -4	0 -5	0 -6	0 -7	0 -8	0 -10	0 -10	0 -12	0 -15	0 -19	0 -23
Roundness $V_{dp}/2$	Diameter series 8•9	2	2	2,5	3	3,5	4	5	5	6	7,5	9,5	11
	Diameter series 0•2•3	1,5	1,5	2	2,5	2,5	3	4	4	4,5	6	7	8,5
Variation	V_{dmp}	2	2	2,5	3	3,5	4	5	5	6	8	10	12
Width deviation	Δ_{Bs}	0 -40	0 -80	0 -120	0 -120	0 -150	0 -200	0 -250	0 -250	0 -300	0 -350	0 -400	0 -450
Width variation	V_{Bs}	1,5	1,5	1,5	1,5	1,5	2,5	2,5	4	5	6	7	8
Radial runout	K_{ia}	1,5	1,5	2,5	2,5	2,5	2,5	2,5	5	5	6	7	8
Side face runout ... ¹⁾	S_d	1,5	1,5	1,5	1,5	1,5	2,5	2,5	4	5	6	7	8
Assembled bearing inner ring ... ²⁾	S_{ia}	1,5	1,5	2,5	2,5	2,5	2,5	2,5	5	5	7	9	11
1) ... of inner ring with reference to bore I ²⁾ ... face runout with raceway (axial runout)													
Outer ring (dimensions in mm)													
Nominal outer diameter	over up to	10 18	18 30	30 50	50 80	80 120	120 150	150 180	180 250	250 315	315 400	400 500	500 630
Tolerance class P4S (tolerances in µm)													
Deviation	$\Delta_{Dmp}, \Delta_{Ds}$	0 -4	0 -5	0 -6	0 -7	0 -8	0 -9	0 -10	0 -11	0 -13	0 -15	0 -18	0 -22
Roundness $V_{Dp}/2$	Diameter series 8•9	2	2,5	3	3,5	4	4,5	5	5,5	6,5	7,5	9	11
	Diameter series 0•2•3	1,5	2	2,5	2,5	3	3,5	4	4	5	5,5	7	8,5
Variation	V_{Dmp}	2	2,5	3	3,5	4	5	5	6	7	8	9	11
Width variation	V_{Cs}	1,5	1,5	1,5	1,5	2,5	2,5	2,5	4	5	7	7	8
Radial runout	K_{ea}	1,5	2,5	2,5	4	5	5	5	7	7	8	9	11
Variation in inclination ... ¹⁾	S_D	1,5	1,5	1,5	1,5	2,5	2,5	2,5	4	5	7	8	9
Assembled bearing ... ²⁾	S_{ea}	1,5	2,5	2,5	4	5	5	5	7	7	8	10	12
The width tolerance Δ_{Cs} is identical to Δ_{Bs} for the associated inner ring. 1) ... of outside cylindrical surface to outer ring side face I ²⁾ ... outer ring face runout with raceway (axial runout)													

Tolerance class P2

Inner ring (dimensions in mm)												
Nominal bore diameter	over up to	10 18	18 30	30 50	50 80	80 120	120 150	150 180	180 250	250 315	315 400	
Tolerance class P2 (tolerances in µm)												
Deviation	$\Delta_{dmp}, \Delta_{ds}$	0 -2,5	0 -2,5	0 -2,5	0 -4	0 -5	0 -7	0 -7	0 -8	0 -10	0 -13,5	
Roundness	$V_{dp}/2$	1,5	1,5	1,5	2	2,5	3,5	3,5	4	5	6	
Variation	V_{dmp}	1,5	1,5	1,5	2	2,5	3,5	3,5	4	5	6	
Width deviation	Δ_{Bs}	0 -80	0 -120	0 -120	0 -150	0 -200	0 -250	0 -300	0 -350	0 -400	0 -450	
Width variation	V_{Bs}	1,5	1,5	1,5	1,5	2,5	2,5	4	5	6	7	
Radial runout	K_{ia}	1,5	2,5	2,5	2,5	2,5	2,5	5	5	6	7	
Side face runout ... ¹⁾	S_d	1,5	1,5	1,5	1,5	2,5	2,5	4	5	6	7	
Assembled bearing inner ring ... ²⁾	S_{ia}	1,5	2,5	2,5	2,5	2,5	2,5	5	5	7	7	
1) ... of inner ring with reference to bore I ²⁾ ... face runout with raceway (axial runout)												
Outer ring (dimensions in mm)												
Nominal outer diameter	over up to	18 30	30 50	50 80	80 120	120 150	150 180	180 250	250 315	315 400	400 500	500 630
Tolerance class P2 (tolerances in µm)												
Deviation	$\Delta_{Dmp}, \Delta_{Ds}$	0 -4	0 -4	0 -4	0 -5	0 -5	0 -7	0 -8	0 -8	0 -10	0 -12	0 -15
Roundness	$V_{Dp}/2$	2	2	2	2,5	2,5	3,5	4	4	5	6	8
Variation	V_{Dmp}	2	2	2	2,5	2,5	3,5	4	4	5	6	8
Width variation	V_{Cs}	1,5	1,5	1,5	2,5	2,5	2,5	4	5	7	8	9
Radial runout	K_{ea}	2,5	2,5	4	5	5	5	7	7	8	10	13
Variation in inclination ... ¹⁾	S_D	1,5	1,5	1,5	2,5	2,5	2,5	4	5	7	8	10
Assembled bearing ... ²⁾	S_{ea}	2,5	2,5	4	5	5	5	7	7	8	10	13
The width tolerance Δ_{Cs} is identical to Δ_{Bs} for the associated inner ring. 1) ... of outside cylindrical surface to outer ring side face I ²⁾ ... outer ring face runout with raceway (axial runout)												

Tolerance class HG for spindle bearings

Inner ring (dimensions in mm)												
Nominal bore diameter	over up to	10	18	30	50	80	120	150	180	250	315	
		18	30	50	80	120	150	180	250	315	400	
Tolerance class HG _i (tolerances in μm)												
Deviation	$\Delta_{dmp}, \Delta_{ds}$	0	0	0	0	0	0	0	0	0	0	
		-4	-4	-4	-5	-5	-9	-10	-10	-12	-16	
Variation	V_{dp}	4	4	4	5	5	8	10	12	16	18	
	V_{dmp}	2	2	2	2,5	2,5	4	5	6	8	9	
Width deviation	Δ_{Bs}	0	0	0	0	0	0	0	0	0	0	
		-80	-120	-120	-125	-175	-225	-275	-325	-375	-425	
Width variation	V_{Bs}	2	2	2	2	2,5	3	3,5	5,5	6,5	8,5	
Radial runout	K_{ia}	2	2,5	2,5	2,5	2,5	3	5	5	6	8	
Side face runout ... ¹⁾	S_d	2	2	2	2	2,5	2,5	5	5,5	6	8	
Assembled bearing inner ring ... ²⁾	S_{ia}	2	2,5	2,5	2,5	3	2,5	5	6	7	9	
1) ... of inner ring with reference to bore 2) ... face runout with raceway (axial runout)												
Outer ring (dimensions in mm)												
Nominal outer diameter	over up to	18	30	50	80	120	150	180	250	315	400	500
		30	50	80	120	150	180	250	315	400	500	630
Tolerance class HG (tolerances in μm)												
Deviation	$\Delta_{Dmp}, \Delta_{Ds}$	0	0	0	0	0	0	0	0	0	0	
		-4	-4	-4	-5	-5	-8	-9	-9	-11	-17	-22
Variation	V_{Dp}	4	4	4	5	5	8	9	9	11	17	22
	V_{Dmp}	2	2	2	2,5	2,5	4	4	5	5	7	8
Width variation	V_{Cs}	2	2	2	2,5	2,5	3	4	6	7	8,5	9,5
Radial runout	K_{ea}	2,5	2,5	4	5	5	6	7	8	9	11	14,5
Variation in inclination ... ¹⁾	S_D	2	2	2	2,5	2,5	4	6	7	9	9	11
Assembled bearing ... ²⁾	S_{ea}	2,5	2,5	4	5	5	6	7	8	9	11	14,5
The width tolerance Δ_{Cs} is identical to Δ_{Bs} for the associated inner ring. 1) ... of outside cylindrical surface to outer ring side face 2) ... outer ring face runout with raceway (axial runout)												

Tolerance class HP for High-precision cylindrical roller bearings

Inner ring (dimensions in mm)												
Nominal bore diameter	over up to	18	30	50	80	120	180	250	315	400	500	
		30	50	80	120	180	250	315	400	500	630	
Tolerance class HP (tolerances in μm)												
Bore, cylindrical Deviation	$\Delta_{dmp}, \Delta_{ds}$	0	0	0	0	0	0	0	0	0	0	
		-6	-8	-9	-10	-13	-15	-18	-23	-27	-30	
Roundness	$V_{dp}/2$	1,5	2	2,5	2,5	3,5	4	4,5	6	7	8	
Bore, tapered Deviation	Δ_{ds}	10	12	15	20	25	30	35	40	45	50	
		0	0	0	0	0	0	0	0	0	0	
Roundness	$V_{dp}/2$	1,5	2	2,5	2,5	3,5	4	4,5	6	7	8	
Deviation	$\Delta_{d1mp} - \Delta_{dmp}$	4	6	6	8	8	10	12	12	14	16	
		0	0	0	0	0	0	0	0	0	0	
Width deviation	Δ_{Bs}	0	0	0	0	0	0	0	0	0	0	
		-120	-120	-150	-200	-250	-300	-350	-400	-450	-500	
Width variation	V_{Bs}	5	5	6	7	8	10	13	15	17	20	
Radial runout	K_{ia}	3	4	4	5	6	8	8	10	10	12	
Side face runout ... ¹⁾	S_d	8	8	8	9	10	11	13	15	17	20	
Assembled bearing inner ring ... ²⁾	S_{ia}	8	8	8	9	10	13	15	20	23	25	
1) ... of inner ring with reference to bore 2) ... face runout with raceway (axial runout)												
Outer ring (dimensions in mm)												
Nominal outer diameter	over up to	30	50	80	120	150	180	250	315	400	500	630
		50	80	120	150	180	250	315	400	500	630	800
Tolerance class HP (tolerances in μm)												
Deviation	$\Delta_{Dmp}, \Delta_{Ds}$	0	0	0	0	0	0	0	0	0	0	
		-7	-9	-10	-11	-13	-15	-18	-20	-23	-28	-35
Roundness	$V_{Dp}/2$	2	2,5	2,5	3	3,5	4	4,5	5	6	7	9
Radial runout	K_{ea}	5	5	6	7	8	10	11	13	15	17	20
Variation in inclination ... ¹⁾	S_D	8	8	9	10	10	11	13	13	15	18	20
Assembled bearing ... ²⁾	S_{ea}	8	10	11	13	14	15	18	20	23	25	30
The width tolerances Δ_{Cs} and V_{Cs} are identical to Δ_{Bs} and V_{Bs} for the associated inner ring. 1) ... of outside cylindrical surface to outer ring side face 2) ... outer ring face runout with raceway (axial runout)												

Tolerance class UP for High-precision cylindrical roller bearings

Inner ring (dimensions in mm)												
Nominal bore diameter	over up to	18 30	30 50	50 80	80 120	120 180	180 250	250 315	315 400	400 500	500 630	
Tolerance class UP (tolerances in μm)												
Bore, cylindrical Deviation	$\Delta_{\text{dmp}}, \Delta_{\text{ds}}$	0 -5	0 -6	0 -7	0 -8	0 -10	0 -12	0 -15	0 -19	0 -23	0 -26	
Roundness	$V_{\text{dp}/2}$	1,5	1,5	2	2	2,5	3	4	5	6	7	
Bore, tapered Deviation	Δ_{ds}	6 0	7 0	8 0	10 0	12 0	14 0	15 0	17 0	19 0	20 0	
Roundness	$V_{\text{dp}/2}$	1,5	1,5	2	2	2,5	3	4	5	6	7	
Deviation	$\Delta_{\text{d1mp}} - \Delta_{\text{dmp}}$	2	3	3	4	4	5	6	6	7	8	
Width deviation	Δ_{Bs}	-25	-30	-40	-50	-60	-75	-100	-100	-100	-125	
Width variation	V_{Bs}	1,5	2	3	3	4	5	5	6	7	8	
Radial runout	K_{ia}	1,5	2	2	3	3	4	4	5	5	6	
Side face runout ... ¹⁾	S_{d}	3	3	4	4	5	6	6	7	8	9	
Assembled bearing inner ring ... ²⁾	S_{ia}	3	3	3	4	6	7	8	9	10	12	
1) ... of inner ring with reference to bore 2) ... face runout with raceway (axial runout)												
Outer ring (dimensions in mm)												
Nominal outer diameter	over up to	30 50	50 80	80 120	120 150	150 180	180 250	250 315	315 400	400 500	500 630	630 800
Tolerance class HG , (tolerances in μm)												
Deviation	$\Delta_{\text{Dmp}}, \Delta_{\text{Ds}}$	0 -5	0 -6	0 -7	0 -8	0 -9	0 -10	0 -12	0 -14	0 -17	0 -20	0 -25
Roundness	$V_{\text{Dp}/2}$	1,5	1,5	2	2	2,5	2,5	3	3,5	4,5	5	6,5
Radial runout	K_{ea}	3	3	3	4	4	5	6	7	8	9	11
Variation in inclination ... ¹⁾	S_{D}	2	2	3	3	3	4	4	5	5	6	7
Assembled bearing ... ²⁾	S_{ea}	4	4	5	6	7	9	9	12	12	14	17
The width tolerances Δ_{Cs} and V_{Cs} are identical to Δ_{Bs} and V_{Bs} for the associated inner ring. 1) ... of outside cylindrical surface to outer ring side face 2) ... outer ring face runout with raceway (axial runout)												

Tolerance class PN

Shaft washer (dimensions in mm)													
Nominal bore diameter	over up to	30	50	80	120	180	250	315	400	500	630	800	1000
		50	80	120	180	250	315	400	500	630	800	1000	1250
Tolerance class PN (normal tolerance), (tolerances in μm)													
Deviation	Δ_{dmp}	0	0	0	0	0	0	0	0	0	0	0	0
		-12	-15	-20	-25	-30	-35	-40	-45	-50	-75	-100	-125
Variation	V_{dp}	9	11	15	19	23	26	30	34	38	56	75	95
Wall thickness variation	S_i	10	10	15	15	20	25	30	30	35	40	45	50
Washer Deviation	Δ_{du}	85	100	120	140	140	160	180	180				
		0	0	0	0	0	0	0	0				
Housing washer (dimensions in mm)													
Nominal outer diameter	over up to	50	80	120	180	250	315	400	500	630	800	1000	1250
		80	120	180	250	315	400	500	630	800	1000	1250	1600
Tolerance class PN (normal tolerance), (tolerances in μm)													
Deviation	Δ_{Dmp}	0	0	0	0	0	0	0	0	0	0	0	0
		-19	-22	-25	-30	-35	-40	-45	-50	-75	-100	-125	-160
Variation	V_{Dp}	14	17	18	23	26	30	34	38	55	75	75	120
Wall thickness variation S_e for the housing washer is identical to S_i for the shaft washer.													
Washer Deviation	Δ_{Du}	0	0	0	0	0	0	0	0	0	0	0	0
		-45	-60	-75	-90	-105	-120	-135	-180				

Tolerance class P6

Shaft washer (dimensions in mm)													
Nominal bore diameter	over up to	30	50	80	120	180	250	315	400	500	630	800	1000
		50	80	120	180	250	315	400	500	630	800	1000	1250
Tolerance class P6 (tolerances in μm)													
Deviation	Δ_{dmp}	0	0	0	0	0	0	0	0	0	0	0	0
		-12	-15	-20	-25	-30	-35	-40	-45	-50	-75	-100	-125
Variation	V_{dp}	9	11	15	19	23	26	30	34	38	56	75	95
Wall thickness variation	S_i	6	7	8	9	10	13	15	18	21	25	30	35
Housing washer (dimensions in mm)													
Nominal outer diameter	over up to	50	80	120	180	250	315	400	500	630	800	1000	1250
		80	120	180	250	315	400	500	630	800	1000	1250	1600
Tolerance class P6 (tolerances in μm)													
Deviation	Δ_{Dmp}	0	0	0	0	0	0	0	0	0	0	0	0
		-19	-22	-25	-30	-35	-40	-45	-50	-75	-100	-125	-160
Variation	V_{Dp}	14	17	19	23	26	30	34	38	55	75	75	120
Wall thickness variation S_e for the housing washer is identical to S_i for the shaft washer.													

Tolerance class P5

Shaft washer (dimensions in mm)													
Nominal bore diameter	over up to	30	50	80	120	180	250	315	400	500	630	800	1000
		50	80	120	180	250	315	400	500	630	800	1000	1250
Tolerance class P5 (tolerances in μm)													
Deviation	Δ_{dmp}	0	0	0	0	0	0	0	0	0	0	0	0
		-12	-15	-20	-25	-30	-35	-40	-45	-50	-75	-100	-125
Variation	V_{dp}	9	11	15	19	23	26	30	34	38	56	75	79
Wall thickness variation	S_i	3	4	4	5	5	7	7	9	11	13	15	18
Housing washer (dimensions in mm)													
Nominal outer diameter	over up to	50	80	120	180	250	315	400	500	630	800	1000	1250
		80	120	180	250	315	400	500	630	800	1000	1250	1600
Tolerance class P5 (tolerances in μm)													
Deviation	Δ_{Dmp}	0	0	0	0	0	0	0	0	0	0	0	0
		-19	-22	-25	-30	-35	-40	-45	-50	-75	-100	-125	-160
Variation	V_{Dp}	14	17	19	23	26	30	34	38	55	75	75	120
Wall thickness variation S_e for the housing washer is identical to S_i for the shaft washer.													

Tolerance class P4

Shaft washer (dimensions in mm)													
Nominal bore diameter	over up to	30	50	80	120	180	250	315	400	500	630	800	1000
		50	80	120	180	250	315	400	500	630	800	1000	1250
Tolerance class P4 (tolerances in μm)													
Deviation	Δ_{dmp}	0	0	0	0	0	0	0	0	0	0	0	0
		-10	-12	-15	-18	-22	-25	-30	-35	-40	-50	-70	-100
Variation	V_{dp}	8	9	11	14	17	19	23	26	30	38	50	60
Wall thickness variation	S_i	2	3	3	4	4	5	5	6	7	8	8	9
Housing washer (dimensions in mm)													
Nominal outer diameter	over up to	50	80	120	180	250	315	400	500	630	800	1000	1250
		80	120	180	250	315	400	500	630	800	1000	1250	1600
Tolerance class P4 (tolerances in μm)													
Deviation	Δ_{Dmp}	0	0	0	0	0	0	0	0	0	0	0	0
		-11	-13	-15	-20	-25	-28	-33	-38	-45	-70	-90	-125
Variation	V_{Dp}	8	10	11	15	19	21	25	29	34	45	60	75
Wall thickness variation S_e for the housing washer is identical to S_i for the shaft washer.													

Construction height of thrust bearings

Construction height of thrust bearings (dimensions in mm)													
Nominal bore diameter	over up to	30	50	80	120	180	250	315	400	500	630	800	1000
		50	80	120	180	250	315	400	500	630	800	1000	1250
Tolerance class PN...P4 (tolerances in μm)													
Deviation	Δ_{Hs}	20 -250	20 -300	25 -300	25 -400	30 -400	40 -400	40 -500	50 -500	60 -600	70 -750	80 -1000	100 -1400
Deviation	Δ_{H1s}	100 -250	100 -300	150 -300	150 -400	150 -400	200 -400	200 -500	300 -500	350 -600	400 -750	450 -1000	550 -1400

Radial clearance of single-row deep groove ball bearings

Dimensions in mm																							
Nominal bore diameter	over up to	10	18	24	30	40	50	65	80	100	120	140	160	180	200	225	250	280	315	355	400	450	500
Bearing clearance in µm																							
clearance group C2	min. max.	0 9	0 10	1 11	1 11	1 15	1 15	1 18	2 20	2 23	2 23	2 25	2 30	2 35	2 40	2 45	2 55	3 60	3 70	3 80	3 90		
CN (normal)	min. max.	3 18	5 20	5 20	6 23	6 28	8 30	10 36	12 41	15 48	18 53	18 61	20 71	25 85	25 95	30 105	35 115	40 125	45 170	60 170	60 190		
C3	min. max.	11 25	13 28	13 28	15 33	18 36	23 43	25 51	30 58	36 66	41 81	46 91	53 102	63 117	75 140	85 160	90 170	100 190	110 210	150 270	150 300		
C4	min. max.	18 33	20 36	23 41	28 46	30 51	38 61	46 71	53 84	61 97	71 114	81 130	91 147	107 163	125 195	145 225	155 245	175 270	195 300	250 380	250 420		
C5	min. max.	25 45	28 48	30 53	40 64	45 73	55 90	65 105	75 120	90 140	105 160	120 180	135 200	150 230	175 255	205 290	255 320	260 360	290 405	330 460	370 520	410 570	

Radial clearance of self-aligning ball bearings

Dimensions in mm																									
Nominal bore diameter	over up to	10	14	18	24	30	40	50	65	80	100	120	140	160	180	200	225	250	280	315	355	400	450	500	
with cylindrical bore (bearing clearance in µm)																									
clearance group C2	min. max.	2 10	3 12	4 14	5 16	6 18	6 19	7 21	8 24	9 27	10 31	10 38	15 44	15 50	17 57	18 62	20 70	23 78	27 90	32 100	35 110	38 125	40 135		
CN (normal)	min. max.	6 19	8 21	10 23	11 24	13 29	14 31	16 36	18 40	22 48	25 56	30 68	35 80	40 92	47 105	50 115	57 130	65 145	75 165	85 185	90 205	100 230	110 225		
C3	min. max.	13 26	15 28	17 30	19 35	23 40	25 44	30 50	35 60	42 70	50 83	60 100	70 120	82 138	93 157	100 170	115 195	125 200	145 250	165 285	185 325	205 345	230 380		
C4	min. max.	21 35	23 37	25 39	29 46	34 53	37 57	45 69	54 83	64 96	75 114	90 135	110 161	126 185	144 212	155 230	175 255	200 295	230 335	260 380	295 430	315 465	345 510		
with tapered bore (bearing clearance in µm)																									
clearance group C2	min. max.			7 17	9 20	12 24	14 22	18 27	23 32	29 39	35 47	40 56	45 68	50 74	55 85	63 107	70 120	78 133	87 150	97 165	105 180	115 200	120 215		
CN (normal)	min. max.			13 26	15 28	19 35	22 39	27 47	35 57	42 68	50 81	60 98	65 110	75 127	85 143	95 160	107 180	120 200	135 225	150 250	160 275	170 300	180 325		
C3	min. max.			20 33	23 39	29 46	33 52	41 61	50 75	62 90	75 108	90 130	100 150	117 173	131 195	145 215	165 245	180 275	205 310	220 340	245 375	260 400	275 425		
C4	min. max.			28 42	33 50	40 59	45 65	56 80	69 98	84 116	100 139	120 165	140 191	161 220	182 250	200 275	230 310	255 350	280 385	310 430	335 470	360 510	380 545		

Radial clearance of single-row and double-row cylindrical roller bearings

Dimensions in mm																													
Nominal bore diameter	over up to	24	30	40	50	65	80	100	120	140	160	180	200	225	250	280	315	355	400	450	500	560	630	710	800				
with cylindrical bore (bearing clearance in µm)																													
clearance group C2	min. max.	0 25	0 25	5 30	5 35	10 40	10 45	15 50	15 55	20 60	25 70	35 75	45 90	55 105	55 110	65 125	65 130	75 145	75 165	85 175	85 195	100 205	110 220	110 240	120 260	140 285	145 310		
CN (normal)	min. max.	20 45	20 45	25 50	30 60	40 70	40 75	50 85	50 90	60 105	70 120	75 125	90 145	105 165	110 175	125 195	130 205	145 225	190 280	210 310	220 330	240 360	260 380	285 425	310 470				
C3	min. max.	35 60	35 60	45 70	50 80	60 90	65 100	75 110	85 125	100 145	115 165	120 170	140 195	155 220	160 235	170 250	195 280	205 300	235 335	260 370	275 410	300 440	330 480	360 565	425 630				
C4	min. max.	50 75	50 75	60 85	70 100	80 110	90 125	105 140	125 165	145 190	165 215	170 220	195 250	220 280	235 300	260 330	275 350	305 400	370 460	410 510	440 550	480 600	500 620	565 705	630 790				
C5	min. max.	75 100	75 100	85 110	100 130	110 140	125 160	140 175	165 205	190 235	215 265	220 270	250 305	280 340	300 365	330 400	350 425	385 465	510 600	565 665	625 735	600 720	620 740	705 845	790 950				
with tapered bore (bearing clearance in µm)																													
clearance group C2	min. max.	15 40	20 45	20 45	25 55	30 60	35 70	40 75	50 90	55 100	60 110	75 125	85 140	95 155	105 170	115 185	130 205	145 225	165 255	185 285	205 315	230 350	260 380	295 435	325 485				
CN (normal)	min. max.	30 55	35 60	40 65	45 75	50 80	60 95	70 105	90 130	100 145	110 160	125 175	140 195	155 215	170 235	185 255	205 280	225 305	255 345	285 385	315 425	350 500	380 575	435 645					
C3	min. max.	40 65	45 70	55 80	60 90	70 100	85 120	95 130	115 155	130 175	145 195	160 210	180 235	200 260	220 285	240 310	265 340	290 420	330 470	370 520	410 575	455 620	500 705	565 790					
C4	min. max.	50 75	55 80	70 95	75 105	90 120	110 145	120 155	140 180	160 205	180 230	195 245	220 275	245 305	270 335	295 365	325 400	355 495	405 555	455 615	505 680	560 740	620 835	695 935					
C5	min. max.	75 100	80 105	95 120	105 135	120 150	145 180	155 190	180 220	205 250	230 280	245 295	275 330	305 365	335 400	365 435	400 475	515 670	580 750	650 830	720 800	680 860	740 975	835 1095					

Radial clearance of single-row and two-row high-precision cylindrical roller bearings C1

Dimensions in mm																													
Nominal bore diameter	over up to	24	30	40	50	65	80	100	120	140	160	180	200	225	250	280	315	355	400	450	500	560	630	710	800				
with cylindrical bore (bearing clearance in µm)																													
clearance group C1	min. max.	5 15	5 15	5 15	5 18	5 20	10 25	10 30	10 30	10 35	10 35	10 40	15 45	15 50	15 55	20 60	20 65	20 75	25 85	25 95	25 100	25 110	30 130	30 140					
with tapered bore (bearing clearance in µm)																													
clearance group C1	min. max.	10 20	15 25	15 25	17 30	20 35	25 40	35 55	40 60	45 70	50 75	55 85	60 90	60 95	65 100	75 110	80 120	90 135	100 150	110 170	120 190	130 210	140 230	160 260	170 290				

Radial clearance of self-aligning ball bearings

Dimensions in mm																							
Nominal bore diameter	over up to	18	24	30	40	50	65	80	100	120	140	160	180	200	225	250	280	315	355	400	450	500	560
with cylindrical bore (bearing clearance in µm)																							
clearance group C2	min.	10	15	15	20	20	30	35	40	50	60	65	70	80	90	100	110	120	130	140	140	150	170
	max.	20	25	30	35	40	50	60	75	95	110	120	130	140	150	170	190	200	220	240	260	280	310
CN (normal)	min.	20	25	30	35	40	50	60	75	95	110	120	130	140	150	170	190	200	220	240	260	280	310
	max.	35	40	45	55	65	80	100	120	145	170	180	200	220	240	260	280	310	340	370	410	440	480
C3	min.	35	40	45	55	65	80	100	120	145	170	180	200	220	240	260	280	310	340	370	410	440	480
	max.	45	55	60	75	90	110	135	160	190	220	240	260	290	320	350	370	410	450	500	550	600	650
C4	min.	45	55	60	75	90	110	135	160	190	220	240	260	290	320	350	370	410	450	500	550	600	650
	max.	60	75	80	100	120	145	180	210	240	280	310	340	380	420	460	500	550	600	660	720	780	850
with tapered bore (bearing clearance in µm)																							
clearance group C2	min.	15	20	25	30	40	50	55	65	80	90	100	110	120	140	150	170	190	210	230	260	290	320
	max.	25	30	35	45	55	70	80	100	120	130	140	160	180	200	220	240	270	300	330	370	410	460
CN (normal)	min.	25	30	35	45	55	70	80	100	120	130	140	160	180	200	220	240	270	300	330	370	410	460
	max.	35	40	50	60	75	95	110	135	160	180	200	220	250	270	300	330	360	400	440	490	540	600
C3	min.	35	40	50	60	75	95	110	135	160	180	200	220	250	270	300	330	360	400	440	490	540	600
	max.	45	55	65	80	95	120	140	170	200	230	260	290	320	350	390	430	470	520	570	630	680	760
C4	min.	45	55	65	80	95	120	140	170	200	230	260	290	320	350	390	430	470	520	570	630	680	760
	max.	60	75	85	100	120	150	180	220	260	300	340	370	410	450	490	540	590	650	720	790	870	980

Axial clearance of four-point bearings

Dimensions in mm															
Nominal bore diameter	over up to	18	18	40	60	80	100	140	180	220	260	300	355	400	450
Bearing clearance in µm															
clearance group C2	min.	20	30	40	50	60	70	80	100	120	140	160	180	200	220
	max.	60	70	90	100	120	140	160	180	200	220	240	270	290	310
CN (normal)	min.	50	60	80	90	100	120	140	160	180	200	220	250	270	290
	max.	90	110	130	140	160	180	200	220	240	280	300	330	360	390
C3	min.	80	100	120	130	140	160	180	200	220	260	280	310	340	370
	max.	120	150	170	180	200	220	240	260	300	340	360	390	430	470

Prefix symbols

Individual components

AR	Outer ring of a rolling bearing which cannot be defined by the prefix symbol L
BO	Flanged wheel of a cylindrical roller bearing provided with one or several flanged wheels only at the inner ring or outer ring
IR	Inner ring of a rolling bearing which cannot be defined by the prefix symbol L
KF	Cage without rolling element
L	Removable bearing ring including possible flanged wheels of demountable roller bearings
R	Bearing ring with rim of rolling elements of demountable roller bearings

Complete designations

C	Rolling elements of ceramic
S	Rolling elements of stainless steel

Basic symbols

The basic symbol designates type and size of the rolling bearing; for the symbol refer to the relevant product norm.

Suffix symbols

Inner design

A, B, C, D, E The meaning of these symbols which immediately follows the basic symbol has not been defined in detail. They are used – depending on the requirements – to indicate modifications of the bearing design and to change certain design features. In general, their use is limited in time in order to avoid confusion during the transition period.

Outer shape

K	Bearing with tapered bore; taper 1:12
K30	Bearing with tapered bore; taper 1:30
N	Annular groove for snap ring at outer ring
N1	One holding groove in the outer ring or in the housing washer
N2	Two holding grooves at one end of the outer ring or in the housing washer
N3	A holding groove at one end; annular groove for snap ring at the other end
N4	Two holding grooves at one end, annular groove for snap ring at the other end
N5	A holding groove and annular groove for snap ring at one end
N6	Two holding grooves and annular groove for snap ring at one end
N.TVH	Annular groove for snap ring at outer ring, snap cage of polyamide PA66, cage bottom at opposite end
NB.TVH	Annular groove for snap ring at outer ring, snap cage of polyamide PA66, cage bottom at the same end
NR	Annular groove for snap ring at outer ring with appurtenant snap ring
NR.TVH	Annular groove for snap ring at outer ring with appurtenant snap ring, snap cage of polyamide PA66, cage bottom at opposite end
NBR.TVH	Annular groove for snap ring at outer ring with appurtenant snap ring, snap cage of polyamide PA66, cage bottom at the same end

Outer shape

R	Bearing with flange at outer ring
RSR	Bearing with sealing disc at one end
.2RSR	Bearing with 2 sealing discs
RSRNB	Bearing with sealing disc and annular groove in outer ring at the same end
RSRNBR	Bearing with sealing disc and annular groove in outer ring at the same end with appurtenant snap ring
RSRN	Bearing with sealing disc at one end and annular groove in shell of outer ring at opposite end
RSRNR	Bearing with sealing disc at one end and annular groove in shell of outer ring at opposite end and inserted snap ring
S	Two-row bearing with circumferential groove and at least 3 lubrication bores in outer ring
W33	Lubrication grooves in outer ring, 3 lubrication bores all-over circumference for self-aligning roller bearings
ZR	Bearing with cover disc at one end
.2ZR	Bearing with 2 cover discs
ZRN	Bearing with cover disc at one end and annular groove in shell of outer ring at opposite end
ZRNR	Bearing with cover disc at one end and annular groove in shell of outer ring at opposite end and inserted snap ring
.2ZRN	Bearing with 2 cover discs and annular groove in shell of outer ring
ZRNB	Bearing with cover disc and annular groove in outer ring at the same end
ZRNBR	Bearing with cover disc and annular groove in outer ring at the same end and appurtenant snap ring

Cages

Cage materials

J	Cage of steel sheet metal
Y	Sheet metal cage of brass
M	Solid cage of brass
F	Solid cage of steel or special castings
L	Solid cage of light metal
T	Solid cage of hard fabric
TN	Solid cage of polyamide (PA66)
TV	Solid cage of fiber-glass reinforced polyamide (PA66-GF.)
EN	Solid cage of PEEK
EV	Solid cage of fiber-glass reinforced PEEK

Cage designs

P	Window cage
H	Snap cage
A	Guided in outer ring
B	Guided on inner ring
S	With lubrication grooves in bearing surfaces

Cage variations for solid cages of steel or special castings

C	Two-row cage of steel with integral central flange for self-aligning roller bearings
F	Guided by rolling elements
FA	Guided at outer ring
FAS	Guided at outer ring, with lubrication grooves
FB	Guided at inner ring
FBS	Guided at inner ring, with lubrication grooves
FP	Window cage, guided by rolling elements
FPA	Window cage, guided at outer ring
FPAS	Window cage, guided at outer ring, with lubrication grooves
FPB	Window cage, guided at inner ring
FPBS	Window cage, guided at inner ring, with lubrication grooves

Cage variations for solid cages of light metal

L	Guided by rolling elements
LA	Guided at outer ring
LAS	Guided at outer ring, with lubrication grooves
LB	Guided at inner ring
LBS	Guided at inner ring, with lubrication grooves
LP	Window cage, guided by rolling elements
LPA	Window cage, guided at outer ring
LPAS	Window cage, guided at outer ring, with lubrication grooves
LPB	Window cage, guided at inner ring
LPBS	Window cage, guided at inner ring, with lubrication grooves

Cage variations for solid cages of brass

CA	Single row cage of brass without central flange for self-aligning roller bearings
M	Guided by rolling elements
MA	Guided at outer ring
MAS	Guided at outer ring, with lubrication grooves
MB	Guided at inner ring
MBS	Guided at inner ring, with lubrication grooves
MS	Guided at sleeve, with lubrication grooves
MP	Window cage, guided by rolling elements
MPA	Window cage, guided at outer ring
MPAS	Window cage, guided at outer ring, with lubrication grooves
MPB	Window cage, guided at inner ring
MPBS	Window cage, guided at inner ring, with lubrication grooves

Cage variations for solid cages of hard fabric

T	Guided by rolling elements
TA	Guided at outer ring
TB	Guided at inner ring
THA	Snap cage, guided at outer ring
THB	Snap cage, guided at inner ring
TP	Window cage, guided by rolling elements
TPA	Window cage, guided at outer ring
TPB	Window cage, guided at inner ring

Cage variations for solid cages of fiber-glass reinforced polyamide (PA66-GF.)

TV	Guided by rolling elements
TVA	Guided at outer ring
TVB	Guided at inner ring
TVH	Snap cage, guided by rolling elements
TVP	Window cage, guided by rolling elements

Cage variations for cages of steel sheet

J	Guided by rolling elements
JL	Guided by rolling elements
JN	Guided by rolling elements
JS	Guided by rolling elements
JH	Snap cage, guided by rolling elements
JP	Window cage, guided by rolling elements
JPA	Window cage, guided at outer ring

Cage variations for sheet metal cages of brass

Y	Guided by rolling elements
YN	Guided by rolling elements
YH	Snap cage, guided by rolling elements
YP	Window cage, guided by rolling elements
YPB	Window cage, guided at inner ring

Cage variations for cages of PEEK

EN	Guided by rolling elements
ENP	Window cage, guided by rolling elements
ENPA	Window cage, guided at outer ring
ENPB	Window cage, guided at inner ring
ENH	Snap cage, guided by rolling elements

Cage variations for cages of PEEK (fiber-glass reinforced)

EV	Guided by rolling elements
EVP	Window cage, guided by rolling elements
EVPA	Window cage, guided at outer ring
EVPB	Window cage, guided at inner ring
EVH	Snap cage, guided by rolling elements

Tolerance

PN (P0)	Bearing with standard tolerance
P2	Bearing with highest dimensional, shape and running tolerance (higher than P4) according to ISO tolerance class 2
P4	Bearing with very particularly high dimensional, shape and running tolerance (higher than P5) according to ISO tolerance class 4
P5	Bearing with particularly high dimensional, shape and running tolerance (higher than P6) according to ISO tolerance class 5
P6	Bearing with increased dimensional, shape and running tolerance (higher than PN) according to ISO tolerance class 6

Bearing clearance

Values CN, C2, C3 and C4 according to DIN 620-4. Values C5 according to ISO 5753.	
CN (C0)	Bearing clearance higher than C2 and lower than C3, corresponds to standard tolerance
C2	Bearing clearance lower than CN
C3	Bearing clearance higher than CN
C4	Bearing clearance higher than C3
C5	Bearing clearance higher than C4
Particular features:	
A	Axial clearance in μm e.g.: 7210B.MP.A100.150 (axial clearance from 100 μm to 150 μm)
R	Radial clearance in μm e.g.: 6210.R10.30 (radial clearance from 10 μm to 30 μm)
VA	Axial preload in μm e.g.: 6210.VA10.20 (axial preload from 10 μm to 20 μm)
VR	Radial preload in μm e.g.: QJ210.VR13.25 (radial preload from 13 μm to 25 μm)

Heat treatment

Temperature application range	
	without code number it corresponds to the standard design S0. This means SLF rolling bearings maintain the accurate dimensions normally up to an operating temperature of 150 °C due to their heat treatment.
S0	Bearing rings or discs which are stabilised for operating temperatures up to 150 °C.
S1	Bearing rings or discs which are stabilised for operating temperatures up to 200 °C.
S2	Bearing rings or discs which are stabilised for operating temperatures up to 250 °C.
S3	Bearing rings or discs which are stabilised for operating temperatures up to 300 °C.
S4	Bearing rings or discs which are stabilised for operating temperatures up to 350 °C.
S0B	Bearing inner rings or shaft washers which are stabilised for operating temperatures up to 150 °C.

Prefix symbols

Design	
without code	Angular contact ball bearing
A	Spindle bearing with inclined face at inner ring (for 73-set series only)
B	Spindle bearing of standard design
HCB	Spindle bearing of standard design with ceramic balls
HS	High-speed spindle bearing design
HC	High-speed spindle bearing design with ceramic balls

Suffix symbols

Contact angle	
B	40°
C	15°
E	25°

Sealing	
.2RSD	Both ends sealed and greased
RSDD	One end sealed, disc at end of large outer ring board diameter, not greased
RSDX	One end sealed, disc at end of small outer ring board diameter, not greased

Cage	
JP	Window cage of steel sheet, guided by rolling elements
MP	Window cage of brass, guided by rolling elements (preferably for angular contact ball bearings)
T / TPA	Hard fabric, guided in outer ring (preferably for spindle bearings)
TVP	Window cage of fiber-glass reinforced polyamide guided by rolling elements (preferably for angular contact ball bearings)

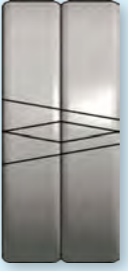

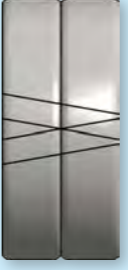


Tolerance	
HG	Tolerances of outer dimensions and running tolerances, between tolerance classes P2 and P4
P2	Tolerance class according to DIN 620
P4	Tolerance class according to DIN 620
P4S	Standard according to works directive
P4S.K5	P4S, however with restricted tolerances for bore and outer diameter







Direct lubrication	
DLR	Circumferential annular groove and radial supply bore as well as two angular grooves with O rings at outer diameter
SB1	One lubrication bore at outer ring for direct lubrication

Sets of bearings

Number of bearings in set	
first letter	
D	2 pieces (Duplex)
T	3 pieces (Triplex)
Q	4 pieces (Quadroplex)
P	5 pieces (Pentaplex)
S	6 pieces (Sestroplex)

Adjustment of bearings in set	
second and subsequent letter, if any	
B	O-arrangement (back to back)
BC	O-adjustment, tandem pair against 2, 3 or 4 tandem set
BT	O-adjustment against 2, 3 or 4 tandem set
F	X-arrangement (face to face)
FC	X-adjustment tandem pair against 2, 3 or 4 tandem set
FT	X-adjustment against 2, 3 or 4 tandem set
T	Tandem-arrangement
U	Universal

Bearings arrangement		
Symbol	Description	Arrangement of arrows on outer ring
DB	dual set, O-arrangement	
		
DF	dual set, X-arrangement	
		
DT	dual set, T-arrangement	
		
DU	dual set, universal bearings	

Bearings arrangement		
Symbol	Description	Arrangement of arrows on outer ring
TBT	triple set, T-O-arrangement	
		
TFT	triple set, T-X-arrangement	
		
TT	triple set, T-arrangement	
		
TU	triple set, universal bearing	

Bearings arrangement		
Symbol	Description	Arrangement of arrows on outer ring
QBC	quadruple set, T-0-arrangement	
QBT	quadruple set, T-0-arrangement	
QFC	quadruple set, T-X-arrangement	

Bearings arrangement		
Symbol	Description	Arrangement of arrows on outer ring
QFT	quadruple set, T-X-arrangement	
QT	quadruple set, T-arrangement	
QU	quadruple set, universal bearing	

Bearings arrangement		
Symbol	Description	Arrangement of arrows on outer ring
PBC	quintuple set, T-0-arrangement	
PBT	quintuple set, T-0-arrangement	
PU	quintuple set, universal bearing	

The inter-bearing set arrow indicates the direction of load application via the inner ring and, at the same time, determines the sequence of installation of the individual bearings in the set.

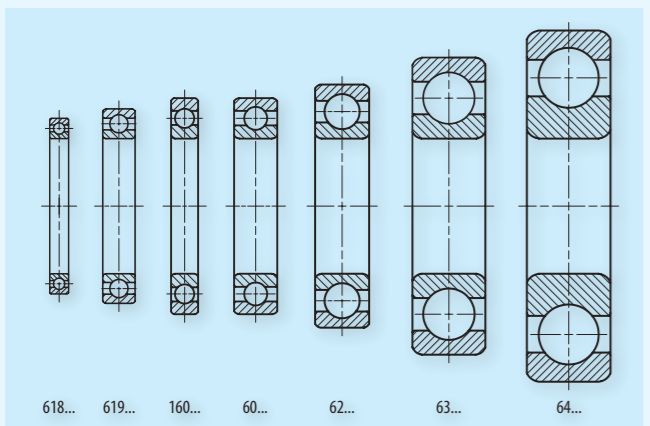
The direction of load of the individual bearings is identified by the "V" symbol at the relevant outer ring.

Deep groove ball bearings, single-row

Single-row deep groove ball bearings accept radial and axial forces and can thus be used in a wide range of applications. They have a simple design, are self-retaining, suitable for very high speeds and resistant in operation and during maintenance and they are offered at a very favorable price. Due to these characteristics deep groove ball bearings are the mostly used rolling bearings.



Deep groove ball bearing



Series deep groove ball bearings

Series 618, 619, 160, 60, 62, 63 and 64 of deep groove ball bearings are produced. Standard version of SLF deep groove ball bearings is provided with a recess for inserting sealing and/or covering discs. The only exception is series 160... . Currently only a version without sealing and/or covering disc can be supplied. (Exception 16006.2ZR)

Sealed deep groove ball bearings

Deep groove ball bearings with sealing discs (contacting sealing) or covering discs (non-contacting sealing) allow simple designs. Bearings are offered both with one and two sealing (RSR/2RSR) or covering discs (ZR/2ZR). Bearings with two-side sealing are filled with top quality grease.



Deep groove ball bearing in RSR-design



Deep groove ball bearing in ZZR-design

Sealed bearings can be used in a temperature range from -30° C to max. 110° C (short term) for contacting and up to max. 120 °C for non-contacting sealings. Please note the grease operating life will be reduced at a permanent temperature of > 70° C. Special greases are offered for such cases.

Deep groove ball bearings with annular groove in outer ring

Deep groove ball bearings with annular groove in the outer ring simplify the design because they can be fixed simply and axially by a snap ring in the housing to save space. These bearings with or without snap ring according to ISO 464 and DIN 5417 are available only on request.

Deep groove ball bearings tested for noise

As standard deep groove ball bearings are subjected to noise tests up to bore reference 12. In addition a 100 % rolling test is carried out. These bearings can also be subjected to a noise test if required by the customer (on request only).

Cages

Deep groove ball bearings without cage suffix are provided with a steel sheet cage. Different cage designs are indicated at the bearing type as bearing symbol (suffix). Deep groove ball bearings with cages of fiber-glass reinforced polyamide 66 (TVP) are suitable for temperatures of maximum 120 °C for longer periods of time. When using oil lubrication the additives contained in the oil may affect the cage operating life if the temperature exceeds 100 °C for a longer period of time. In addition deep groove ball bearings with brass cage (M - rolling element guided and MA - outer lip guided) and current-insulated designs are available on request.



Deep groove ball bearing steel sheet cage



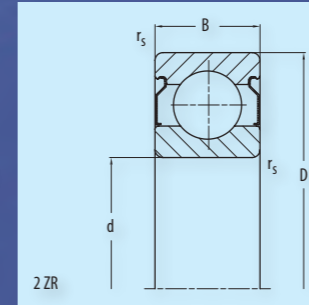
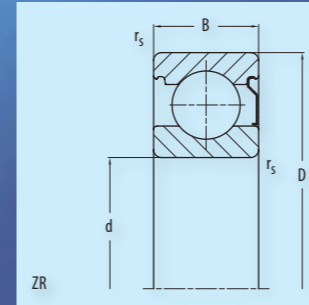
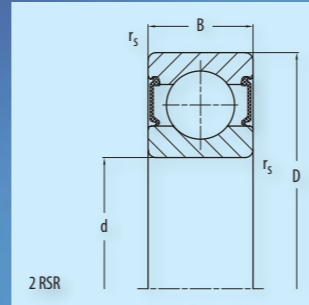
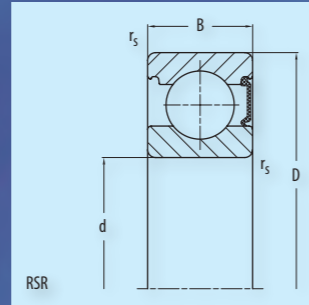
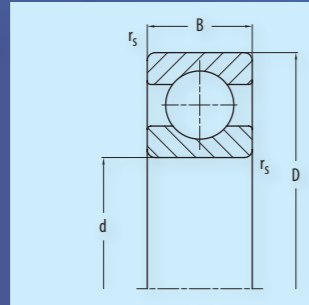
Deep groove ball bearing TVP-cage

Norms

Deep groove ball bearing

DIN 625-1

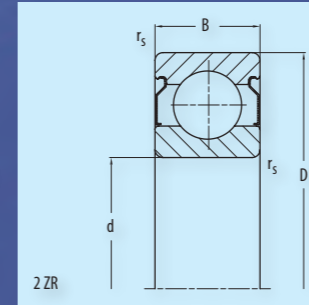
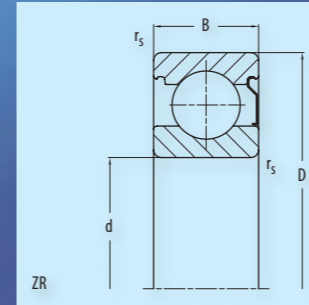
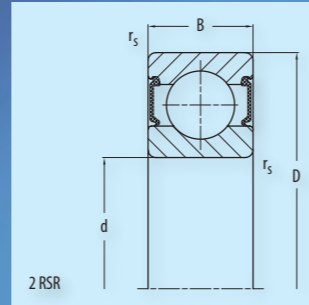
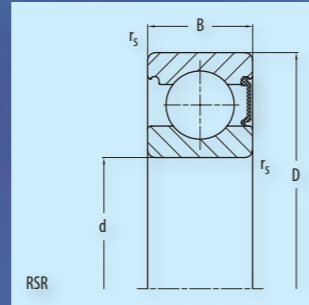
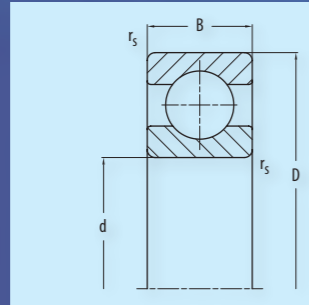
Deep groove ball bearings
single-row



Deep groove ball bearings
single-row

Shaft	Dimension (mm)				Load Rating (kN)		Speed limit (min ⁻¹)		Code	Weight (kg)
	d	D	B	r _s	C	C ₀	Grease	Oil	Bearing	
					dyn.	stat.				
10	10	26	8	0,3	4,55	1,96	33 000	40 000	6000	0,020
					4,55	1,96			6000RSR	
					4,55	1,96			6000.2RSR	
					4,55	1,96			6000ZR	
					4,55	1,96			6000.2ZR	
	10	30	9	0,6	6	2,6	30 000	37 000	6200	0,031
					6	2,6			6200RSR	
					6	2,6			6200.2RSR	
					6	2,6			6200ZR	
					6	2,6			6200.2ZR	
	10	35	11	0,6	8,15	3,45	27 000	31 000	6300	0,055
					8,15	3,45			6300RSR	
					8,15	3,45			6300.2RSR	
					8,15	3,45			6300ZR	
					8,15	3,45			6300.2ZR	
12	12	28	8	0,3	5,1	2,36	30 000	38 000	6001	0,020
					5,1	2,36			6001RSR	
					5,1	2,36			6001.2RSR	
					5,1	2,36			6001ZR	
					5,1	2,36			6001.2ZR	
	12	32	10	0,6	6,95	3,1	27 000	33 000	6201	0,037
					6,95	3,1			6201RSR	
					6,95	3,1			6201.2RSR	
					6,95	3,1			6201ZR	
					6,95	3,1			6201.2ZR	
	12	37	12	1	9,65	4,15	24 000	28 000	6301	0,062
					9,65	4,15			6301RSR	
					9,65	4,15			6301.2RSR	
					9,65	4,15			6301ZR	
					9,65	4,15			6301.2ZR	
15	15	32	9	0,3	5,6	2,85	26 000	33 000	6002	0,031
					5,6	2,85			6002RSR	
					5,6	2,85			6002.2RSR	
					5,6	2,85			6002ZR	
					5,6	2,85			6002.2ZR	

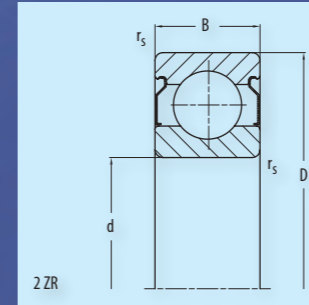
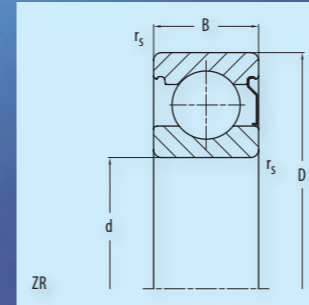
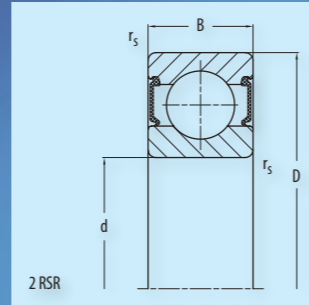
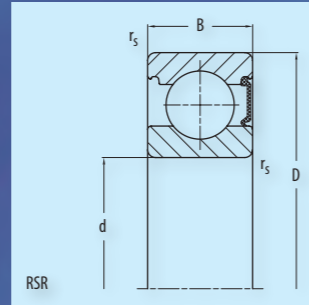
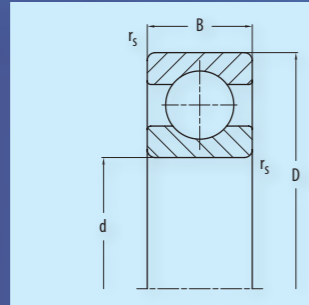
Deep groove ball bearings
single-row



Deep groove ball bearings
single-row

Shaft	Dimension (mm)				Load Rating (kN)		Speed limit (min ⁻¹)		Code	Weight (kg)
	d	D	B	r _s	C	C ₀	Grease	Oil	Bearing	
					dyn.	stat.				
15	15	35	11	0,6	7,8	3,75	24 000	30 000	6202	0,043
	15	35	11	0,6	7,8	3,75	14 000	14 000	6202RSR	0,045
	15	35	11	0,6	7,8	3,75	14 000		6202.2RSR	0,045
	15	35	11	0,6	7,8	3,75	20 000	30 000	6202ZR	0,045
	15	35	11	0,6	7,8	3,75	20 000		6202.2ZR	0,045
	15	42	13	1	11,4	5,4	21 000	25 000	6302	0,088
	15	42	13	1	11,4	5,4	12 000	12 000	6302RSR	0,090
	15	42	13	1	11,4	5,4	12 000		6302.2RSR	0,090
	15	42	13	1	11,4	5,4	18 000	25 000	6302ZR	0,090
	15	42	13	1	11,4	5,4	18 000		6302.2ZR	0,090
17	17	35	10	0,3	6	3,25	23 000	31 000	6003	0,038
	17	35	10	0,3	6	3,25	14 000	14 000	6003RSR	0,040
	17	35	10	0,3	6	3,25	14 000		6003.2RSR	0,040
	17	35	10	0,3	6	3,25	19 000	31 000	6003ZR	0,040
	17	35	10	0,3	6	3,25	19 000		6003.2ZR	0,040
	17	40	12	0,6	9,5	4,75	21 000	26 000	6203	0,065
	17	40	12	0,6	9,5	4,75	12 000	12 000	6203RSR	0,067
	17	40	12	0,6	9,5	4,75	12 000		6203.2RSR	0,067
	17	40	12	0,6	9,5	4,75	18 000	26 000	6203ZR	0,067
	17	40	12	0,6	9,5	4,75	18 000		6203.2ZR	0,067
	17	47	14	1	13,4	6,55	19 000	22 000	6303	0,114
	17	47	14	1	13,4	6,55	11 000	11 000	6303RSR	0,117
	17	47	14	1	13,4	6,55	11 000		6303.2RSR	0,117
	17	47	14	1	13,4	6,55	16 000	22 000	6303ZR	0,117
	17	47	14	1	13,4	6,55	16 000		6303.2ZR	0,117
20	20	42	8	0,3	6,95	4,05	19 000	26 000	16004	0,049
	20	42	12	0,6	9,3	5	19 000	25 000	6004	0,068
	20	42	12	0,6	9,3	5	12 000	12 000	6004RSR	0,068
	20	42	12	0,6	9,3	5	12 000		6004.2RSR	0,068
	20	42	12	0,6	9,3	5	19 000	35 000	6004TB.P63	0,068
	20	42	12	0,6	9,3	5	16 000	25 000	6004ZR	0,068
	20	42	12	0,6	9,3	5	16 000		6004.2ZR	0,068

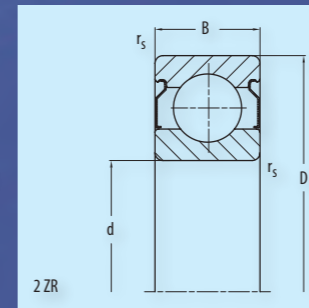
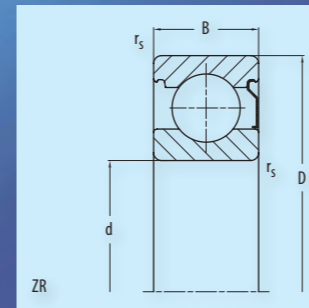
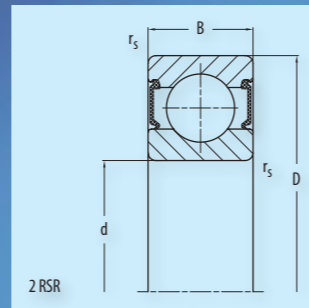
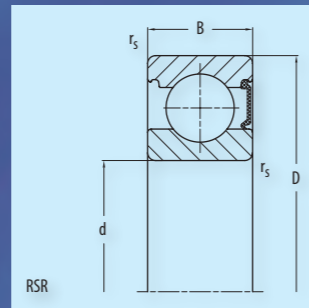
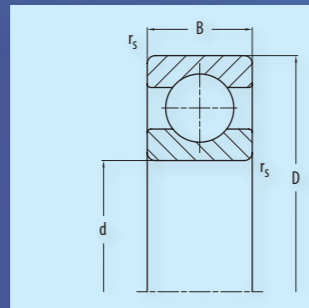
Deep groove
ball bearings
single-row



Deep groove
ball bearings
single-row

Shaft	Dimension (mm)				Load Rating (kN)		Speed limit (min ⁻¹)		Code	Weight (kg)	
	d	D	B	r _s	C	C ₀	Grease	Oil	Bearing		
					dyn.	stat.					
20	20	47	14	1	12,7	6,55	18 000	22 000	6204	0,105	
	20	47	14	1	12,7	6,55	10 000	10 000	6204RSR	0,105	
	20	47	14	1	12,7	6,55	10 000		6204.2RSR	0,105	
	20	47	14	1	12,7	6,55	18 000	31 000	6204TB.P63	0,105	
	20	47	14	1	12,7	6,55	15 000	24 000	6204ZR.THB.P63	0,105	
	20	47	14	1	12,7	6,55	15 000	29 000	6204ZR.TVH.P63	0,105	
	20	47	14	1	12,7	6,55	15 000	22 000	6204ZR	0,105	
	20	47	14	1	12,7	6,55	15 000		6204.2ZR	0,105	
	20	52	15	1,1	16	7,8	17 000	20 000	6304	0,153	
	20	52	15	1,1	16	7,8	9 500	9 500	6304RSR	0,153	
	20	52	15	1,1	16	7,8	9 500		6304.2RSR	0,153	
	20	52	15	1,1	16	7,8	17 000	28 000	6304TB.P63	0,153	
	20	52	15	1,1	16	7,8	14 000	22 000	6304ZR.THB.P63	0,153	
	20	52	15	1,1	16	7,8	14 000	26 000	6304ZR.TVH.P63	0,153	
	20	52	15	1,1	16	7,8	14 000	20 000	6304ZR	0,153	
	20	52	15	1,1	16	7,8	14 000		6304.2ZR	0,153	
	20	72	19	1,1	29	16,3	12 000	14 000	6404	0,415	
	20	72	19	1,1	29	16,3	6 300	6 300	6404RSR	0,415	
	20	72	19	1,1	29	16,3	6 300		6404.2RSR	0,415	
	20	72	19	1,1	29	16,3	9 500	14 000	6404ZR	0,415	
	20	72	19	1,1	29	16,3	9 500		6404.2ZR	0,415	
	25	25	47	8	0,3	7,2	4,65	17 000	23 000	16005	0,056
		25	47	12	0,6	10	5,85	17 000	22 000	6005	0,077
		25	47	12	0,6	10	5,85	10 000	10 000	6005RSR	0,077
		25	47	12	0,6	10	5,85	10 000		6005.2RSR	0,077
		25	47	12	0,6	10	5,85	17 000	31 000	6005TB.P63	0,077
		25	47	12	0,6	10	5,85	14 000	24 000	6005ZR.THB.P63	0,077
		25	47	12	0,6	10	5,85	14 000	27 000	6005ZR.TVH.P63	0,077
25		47	12	0,6	10	5,85	14 000	22 000	6005ZR	0,077	
25		47	12	0,6	10	5,85	14 000		6005.2ZR	0,077	

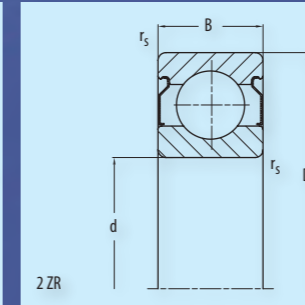
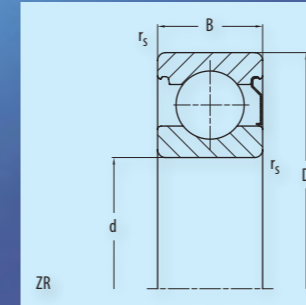
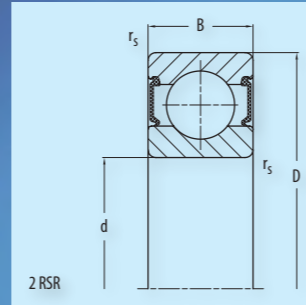
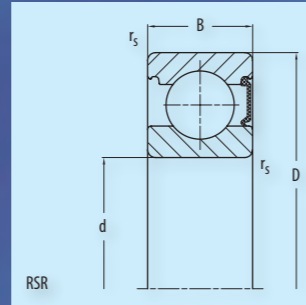
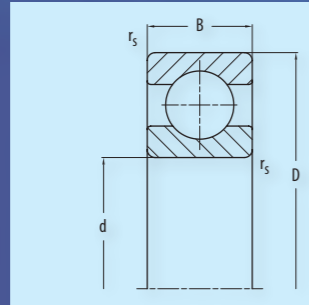
Deep groove ball bearings
single-row



Deep groove ball bearings
single-row

Shaft	Dimension (mm)				Load Rating (kN)		Speed limit (min ⁻¹)		Code	Weight (kg)
	d	D	B	r _s	C	C ₀	Grease	Oil	Bearing	
					dyn.	stat.				
25	25	52	15	1	14,3	8	16 000	20 000	6205	0,125
	25	52	15	1	14,3	8	9 000	9 000	6205RSR	0,125
	25	52	15	1	14,3	8	9 000		6205.2RSR	0,125
	25	52	15	1	14,3	8	16 000	28 000	6205TB.P63	0,125
	25	52	15	1	14,3	8	13 000	22 000	6205ZR.THB.P63	0,125
	25	52	15	1	14,3	8	13 000	26 000	6205ZR.TVH.P63	0,125
	25	52	15	1	14,3	8	13 000	20 000	6205ZR	0,125
	25	52	15	1	14,3	8	13 000		6205.2ZR	0,125
	25	62	17	1,1	22,4	11,4	14 000	16 000	6305	0,232
	25	62	17	1,1	22,4	11,4	7 500	7 500	6305RSR	0,232
	25	62	17	1,1	22,4	11,4	7 500		6305.2RSR	0,232
	25	62	17	1,1	22,4	11,4	14 000	22 000	6305TB.P63	0,232
	25	62	17	1,1	22,4	11,4	11 000	21 000	6305ZR.TVH.P63	0,232
	25	62	17	1,1	22,4	11,4	11 000	16 000	6305ZR	0,232
	25	62	17	1,1	22,4	11,4	11 000		6305.2ZR	0,232
	25	80	21	1,5	33,5	19	10 000	12 000	6405	0,560
	25	80	21	1,5	33,5	19	5 600	5 600	6405RSR	0,560
	25	80	21	1,5	33,5	19	5 600		6405.2RSR	0,560
	25	80	21	1,5	33,5	19	8 500	12 000	6405ZR	0,560
	25	80	21	1,5	33,5	19	8 500		6405.2ZR	0,560
30	30	55	9	0,3	11,2	7,35	14 000	19 000	16006	0,084
	30	55	9	0,3	11,2	7,35	12 000		16006.2ZR	0,084
	30	55	13	1	12,7	8	14 000	18 000	6006	0,115
	30	55	13	1	12,7	8	8 500	8 500	6006RSR	0,115
	30	55	13	1	12,7	8	8 500		6006.2RSR	0,115
	30	55	13	1	12,7	8	14 000	25 000	6006TB.P63	0,115
	30	55	13	1	12,7	8	12 000	20 000	6006ZR.THB.P63	0,115
	30	55	13	1	12,7	8	12 000	23 000	6006ZR.TVH.P63	0,115
	30	55	13	1	12,7	8	12 000	18 000	6006ZR	0,115
	30	55	13	1	12,7	8	12 000		6006.2ZR	0,115

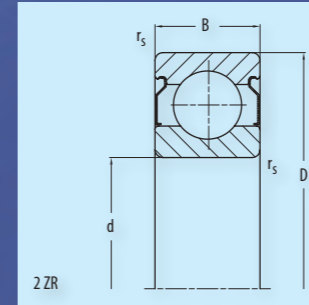
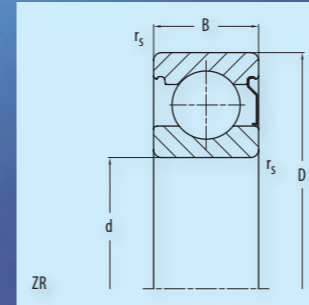
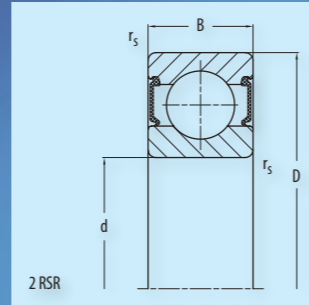
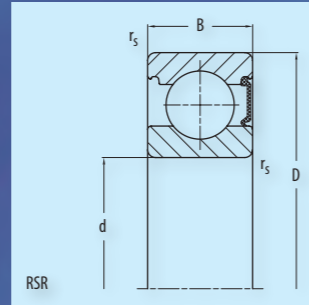
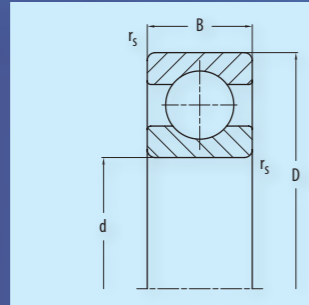
Deep groove ball bearings
single-row



Deep groove ball bearings
single-row

Shaft	Dimension (mm)				Load Rating (kN)		Speed limit (min ⁻¹)		Code	Weight (kg)
	d	D	B	r _s	C	C ₀	Grease	Oil	Bearing	
					dyn.	stat.				
30	30	62	16	1	19,3	11,2	13 000	16 000	6206	0,192
	30	62	16	1	19,3	11,2	7 500	7 500	6206RSR	0,192
	30	62	16	1	19,3	11,2	7 500		6206.2RSR	0,192
	30	62	16	1	19,3	11,2	13 000	22 000	6206TB.P63	0,192
	30	62	16	1	19,3	11,2	11 000	18 000	6206ZR.THB.P63	0,192
	30	62	16	1	19,3	11,2	11 000	21 000	6206ZR.TVH.P63	0,192
	30	62	16	1	19,3	11,2	11 000	16 000	6206ZR	0,192
	30	62	16	1	19,3	11,2	11 000		6206.2ZR	0,192
	30	72	19	1,1	29	16,3	12 000	14 000	6306	0,348
	30	72	19	1,1	29	16,3	6 300	6 300	6306RSR	0,348
	30	72	19	1,1	29	16,3	6 300		6306.2RSR	0,348
	30	72	19	1,1	29	16,3	12 000	20 000	6306TB.P63	0,348
	30	72	19	1,1	29	16,3	12 000	18 000	6306ZR.TVH.P63	0,348
	30	72	19	1,1	29	16,3	12 000	14 000	6306ZR	0,348
	30	72	19	1,1	29	16,3	12 000		6306.2ZR	0,348
	30	90	23	1,5	42,5	25	9 000	11 000	6406	0,760
	30	90	23	1,5	42,5	25	5 000	5 000	6406RSR	0,760
	30	90	23	1,5	42,5	25	5 000		6406.2RSR	0,760
	30	90	23	1,5	42,5	25	9 000	11 000	6406ZR	0,760
	30	90	23	1,5	42,5	25	9 000		6406.2ZR	0,760
	35	35	62	9	0,3	12,2	8,8	12 000	17 000	16007
35		62	14	1	16,3	10,4	12 000	16 000	6007	0,151
35		62	14	1	16,3	10,4	7 500	7 500	6007RSR	0,151
35		62	14	1	16,3	10,4	7 500		6007.2RSR	0,151
35		62	14	1	16,3	10,4	12 000	22 000	6007TB.P63	0,151
35		62	14	1	16,3	10,4	10 000	18 000	6007ZR.THB.P63	0,151
35		62	14	1	16,3	10,4	10 000	21 000	6007ZR.TVH.P63	0,151
35		62	14	1	16,3	10,4	10 000	16 000	6007ZR	0,151
35		62	14	1	16,3	10,4	10 000		6007.2ZR	0,151
35		72	17	1,1	25,5	15,3	11 000	14 000	6207	0,288
35		72	17	1,1	25,5	15,3	6 300	6 300	6207RSR	0,288
35		72	17	1,1	25,5	15,3	6 300		6207.2RSR	0,288
35		72	17	1,1	25,5	15,3	11 000	20 000	6207TB.P63	0,288
35		72	17	1,1	25,5	15,3	11 000	18 000	6207ZR.TVH.P63	0,288
35		72	17	1,1	25,5	15,3	11 000	14 000	6207ZR	0,288
35		72	17	1,1	25,5	15,3	11 000		6207.2ZR	0,288

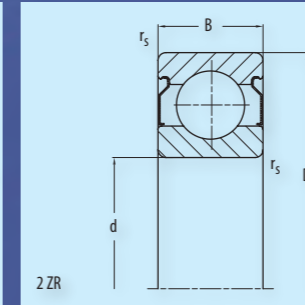
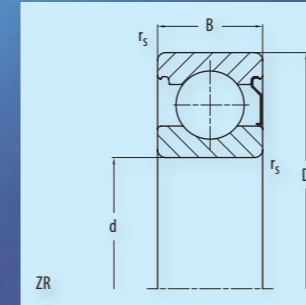
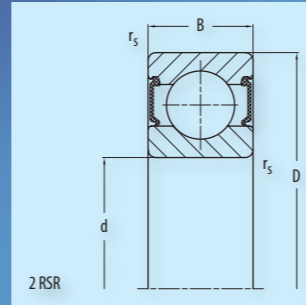
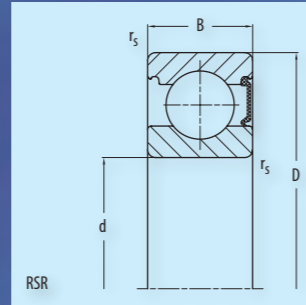
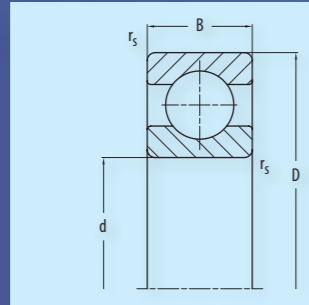
Deep groove ball bearings
single-row



Deep groove ball bearings
single-row

Shaft	Dimension (mm)				Load Rating (kN)		Speed limit (min ⁻¹)		Code	Weight (kg)
	d	D	B	r _s	C	C ₀	Grease	Oil	Bearing	
					dyn.	stat.				
35	35	80	21	1,5	33,5	19	10 000	12 000	6307	0,458
	35	80	21	1,5	33,5	19	5 600	5 600	6307RSR	0,458
	35	80	21	1,5	33,5	19	5 600		6307.2RSR	0,458
	35	80	21	1,5	33,5	19	10 000	17 000	6307TB.P63	0,458
	35	80	21	1,5	33,5	19	10 000	12 000	6307ZR	0,458
	35	80	21	1,5	33,5	19	10 000		6307.2ZR	0,458
	35	100	25	1,5	53	32	8 500	9 500	6407	0,971
	35	100	25	1,5	53	32	4 500	4 500	6407RSR	0,971
	35	100	25	1,5	53	32	4 500		6407.2RSR	0,971
	35	100	25	1,5	53	32	8 500	9 500	6407ZR	0,971
35	100	25	1,5	53	32	8 500		6407.2ZR	0,971	
40	40	68	9	0,3	13,2	10,2	11 000	15 000	16008	0,126
	40	68	15	1	17	11,8	11 000	15 000	6008	0,188
	40	68	15	1	17	11,8	6 700	6 700	6008RSR	0,188
	40	68	15	1	17	11,8	6 700		6008.2RSR	0,188
	40	68	15	1	17	11,8	11 000	21 000	6008TB.P63	0,188
	40	68	15	1	17	11,8	11 000	20 000	6008ZR.TVH.P63	0,188
	40	68	15	1	17	11,8	11 000	15 000	6008ZR	0,188
	40	68	15	1	17	11,8	11 000		6008.2ZR	0,188
	40	80	18	1,1	29	18	10 000	12 000	6208	0,366
	40	80	18	1,1	29	18	5 600	5 600	6208RSR	0,366
	40	80	18	1,1	29	18	5 600		6208.2RSR	0,366
	40	80	18	1,1	29	18	10 000	17 000	6208TB.P63	0,366
	40	80	18	1,1	29	18	10 000	16 000	6208ZR.TVH.P63	0,366
	40	80	18	1,1	29	18	10 000	12 000	6208ZR	0,366
	40	80	18	1,1	29	18	10 000		6208.2ZR	0,366
	40	90	23	1,5	42,5	25	9 000	11 000	6308	0,632
	40	90	23	1,5	42,5	25	5 000	5 000	6308RSR	0,632
	40	90	23	1,5	42,5	25	5 000		6308.2RSR	0,632
	40	90	23	1,5	42,5	25	9 000	15 000	6308TB.P63	0,632
	40	90	23	1,5	42,5	25	9 000	11 000	6308ZR	0,632
40	90	23	1,5	42,5	25	9 000		6308.2ZR	0,632	

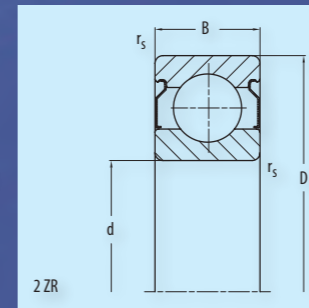
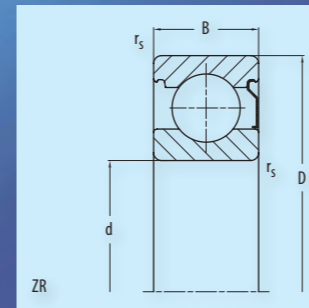
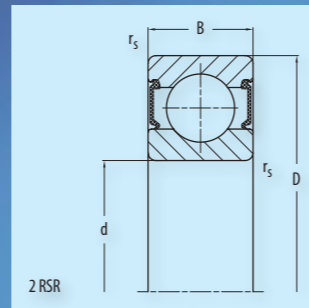
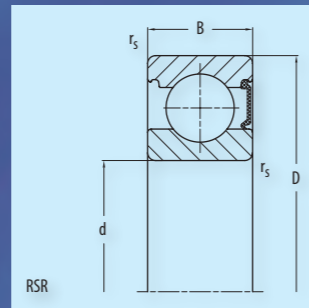
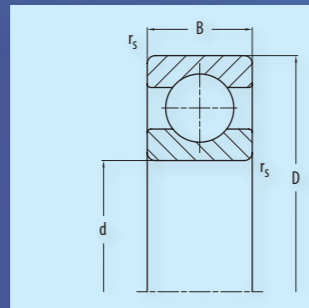
Deep groove
ball bearings
single-row



Deep groove
ball bearings
single-row

Shaft	Dimension (mm)				Load Rating (kN)		Speed limit (min ⁻¹)		Code	Weight (kg)
	d	D	B	r _s	C	C ₀	Grease	Oil	Bearing	
					dyn.	stat.				
40	40	110	27	2	62	38	7 500	8 500	6408	1,12
	40	110	27	2	62	38	4 000	4 000	6408RSR	1,12
	40	110	27	2	62	38	4 000		6408.2RSR	1,12
	40	110	27	2	62	38	7 500	8 500	6408ZR	1,12
	40	110	27	2	62	38	7 500		6408.2ZR	1,12
45	45	75	10	0,6	15,6	12,2	10 000	13 000	16009	0,168
	45	75	16	1	20	14,3	10 000	13 000	6009	0,231
	45	75	16	1	20	14,3	6 000	6 000	6009RSR	0,231
	45	75	16	1	20	14,3	6 000		6009.2RSR	0,231
	45	75	16	1	20	14,3	10 000	18 000	6009TB.P63	0,231
	45	75	16	1	20	14,3	10 000	13 000	6009ZR	0,231
	45	75	16	1	20	14,3	10 000		6009.2ZR	0,231
	45	85	19	1,1	32,5	20,4	9 500	11 000	6209	0,405
	45	85	19	1,1	32,5	20,4	5 300	5 300	6209RSR	0,405
	45	85	19	1,1	32,5	20,4	5 300		6209.2RSR	0,405
	45	85	19	1,1	32,5	20,4	9 500	15 000	6209TB.P63	0,405
	45	85	19	1,1	32,5	20,4	9 500	11 000	6209ZR	0,405
	45	85	19	1,1	32,5	20,4	9 500		6209.2ZR	0,405
	45	100	25	1,5	53	32	8 000	9 500	6309	0,848
	45	100	25	1,5	53	32	4 500	4 500	6309RSR	0,848
	45	100	25	1,5	53	32	4 500		6309.2RSR	0,848
	45	100	25	1,5	53	32	8 000	13 000	6309TB.P63	0,848
	45	100	25	1,5	53	32	8 000	9 500	6309ZR	0,848
	45	100	25	1,5	53	32	8 000		6309.2ZR	0,848
	45	120	29	2	76,5	47,5	7 000	7 500	6409	1,97
45	120	29	2	76,5	47,5	3 600	3 600	6409RSR	1,97	
45	120	29	2	76,5	47,5	3 600		6409.2RSR	1,97	
45	120	29	2	76,5	47,5	7 000	7 500	6409ZR	1,97	
45	120	29	2	76,5	47,5	7 000		6409.2ZR	1,97	
50	50	80	10	0,6	16	13,2	9 000	12 000	16010	0,180
	50	80	16	1	20,8	15,6	9 000	12 000	6010	0,261
	50	80	16	1	20,8	15,6	5 600	5 600	6010RSR	0,261
	50	80	16	1	20,8	15,6	5 600		6010.2RSR	0,261
	50	80	16	1	20,8	15,6	9 000	17 000	6010TB.P63	0,261
	50	80	16	1	20,8	15,6	9 000	12 000	6010ZR	0,261
	50	80	16	1	20,8	15,6	9 000		6010.2ZR	0,261

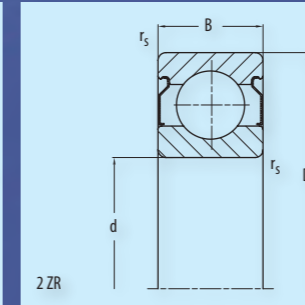
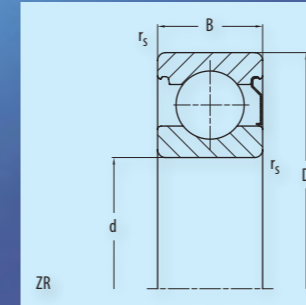
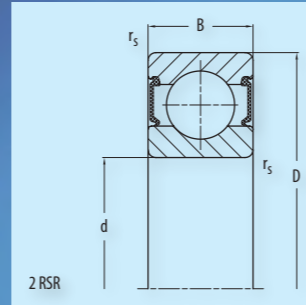
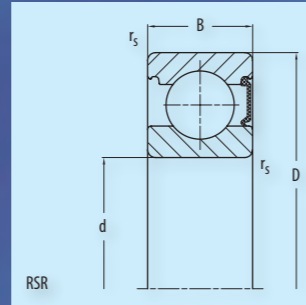
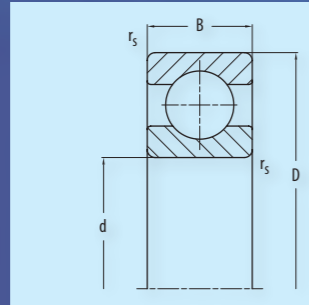
Deep groove ball bearings
single-row



Deep groove ball bearings
single-row

Shaft	Dimension (mm)				Load Rating (kN)		Speed limit (min ⁻¹)		Code	Weight (kg)
	d	D	B	r _s	C	C ₀	Grease	Oil	Bearing	
					dyn.	stat.				
50	50	90	20	1,1	36,5	24	8 500	10 000	6210	0,453
	50	90	20	1,1	36,5	24	4 800	4 800	6210RSR	0,453
	50	90	20	1,1	36,5	24	4 800		6210.2RSR	0,453
	50	90	20	1,1	36,5	24	8 500	14 000	6210TB.P63	0,453
	50	90	20	1,1	36,5	24	8 500	10 000	6210ZR	0,453
	50	90	20	1,1	36,5	24	8 500		6210.2ZR	0,453
	50	110	27	2	62	38	7 500	8 500	6310	1,10
	50	110	27	2	62	38	4 000	4 000	6310RSR	1,10
	50	110	27	2	62	38	4 000		6310.2RSR	1,10
	50	110	27	2	62	38	7 500	12 000	6310TB.P63	1,10
	50	110	27	2	62	38	7 500	8 500	6310ZR	1,10
	50	110	27	2	62	38	7 500		6310.2ZR	1,10
	50	130	31	2,1	81,5	52	6 500	7 000	6410	1,99
	50	130	31	2,1	81,5	52	3 400	3 400	6410RSR	1,99
	50	130	31	2,1	81,5	52	3 400		6410.2RSR	1,99
	50	130	31	2,1	81,5	52	6 500	7 000	6410ZR	1,99
	50	130	31	2,1	81,5	52	6 500		6410.2ZR	1,99
	55	55	72	9	0,3	8,7	8	9 500	18 000	61811
55		90	11	0,6	19,3	16,3	8 500	11 000	16011	0,263
55		90	18	1,1	28,5	21,2	8 500	11 000	6011	0,377
55		90	18	1,1	28,5	21,2	5 000	5 000	6011RSR	0,377
55		90	18	1,1	28,5	21,2	5 000		6011.2RSR	0,377
55		90	18	1,1	28,5	21,2	8 500	15 000	6011TB.P63	0,377
55		90	18	1,1	28,5	21,2	8 500	11 000	6011ZR	0,377
55		90	18	1,1	28,5	21,2	8 500		6011.2ZR	0,377
55		100	21	1,5	43	29	7 500	9 500	6211	0,607
55		100	21	1,5	43	29	4 300	4 300	6211RSR	0,607
55		100	21	1,5	43	29	4 300		6211.2RSR	0,607
55		100	21	1,5	43	29	7 500	13 000	6211TB.P63	0,607
55		100	21	1,5	43	29	7 500	9 500	6211ZR	0,607
55		100	21	1,5	43	29	7 500		6211.2ZR	0,607

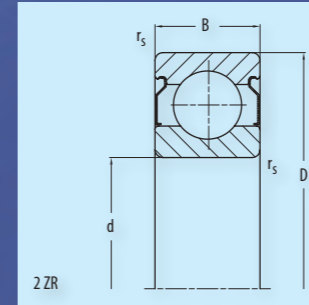
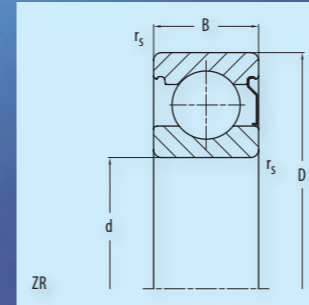
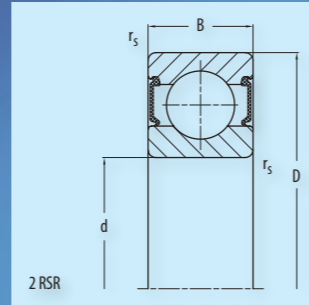
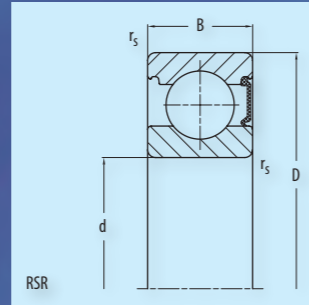
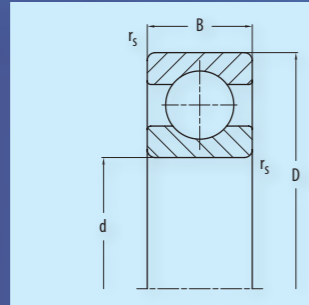
Deep groove ball bearings
single-row



Deep groove ball bearings
single-row

Shaft	Dimension (mm)				Load Rating (kN)		Speed limit (min ⁻¹)		Code	Weight (kg)
	d	D	B	r _s	C	C ₀	Grease	Oil	Bearing	
					dyn.	stat.				
55	55	120	29	2	76,5	47,5	7 000	8 000	6311	1,39
	55	120	29	2	76,5	47,5	3 800	3 800	6311RSR	1,39
	55	120	29	2	76,5	47,5	3 800		6311.2RSR	1,39
	55	120	29	2	76,5	47,5	7 000	11 000	6311TB.P63	1,39
	55	120	29	2	76,5	47,5	7 000	8 000	6311ZR	1,39
	55	120	29	2	76,5	47,5	7 000		6311.2ZR	1,39
	55	140	33	2,1	93	60	6 000	6 500	6411	2,38
	55	140	33	2,1	93	60	3 000	3000	6411RSR	2,38
	55	140	33	2,1	93	60	3 000		6411.2RSR	2,38
	55	140	33	2,1	93	60	6 000	6500	6411ZR	2,38
60	60	95	11	0,6	20	17,6	8 000	10 000	16012	0,279
	60	95	18	1,1	29	23,2	7 500	10 000	6012	0,410
	60	95	18	1,1	29	23,2	4 500	4 500	6012RSR	0,410
	60	95	18	1,1	29	23,2	4 500		6012.2RSR	0,410
	60	95	18	1,1	29	23,2	7 500	14 000	6012TB.P63	0,410
	60	95	18	1,1	29	23,2	7 500	10 000	6012ZR	0,410
	60	95	18	1,1	29	23,2	7 500		6012.2ZR	0,410
	60	110	22	1,5	52	36	7 000	8 500	6212	0,783
	60	110	22	1,5	52	36	4 000	4 000	6212RSR	0,783
	60	110	22	1,5	52	36	4 000		6212.2RSR	0,783
	60	110	22	1,5	52	36	7 000	12 000	6212TB.P63	0,783
	60	110	22	1,5	52	36	7 000	8 500	6212ZR	0,783
	60	110	22	1,5	52	36	7 000		6212.2ZR	0,783
	60	130	31	2,1	81,5	52	6 500	7 500	6312	1,72
	60	130	31	2,1	81,5	52	3 400	3 400	6312RSR	1,72
	60	130	31	2,1	81,5	52	3 400		6312.2RSR	1,72
	60	130	31	2,1	81,5	52	6 500	11 000	6312TB.P63	1,72
	60	130	31	2,1	81,5	52	6 500	7 500	6312ZR	1,72
	60	130	31	2,1	81,5	52	6 500		6312.2ZR	1,72
	60	150	35	2,1	104	68	5 500	6 000	6412	2,89
60	150	35	2,1	104	68	2 800	2 800	6412RSR	2,89	
60	150	35	2,1	104	68	2 800		6412.2RSR	2,89	
60	150	35	2,1	104	68	5 500	6 000	6412ZR	2,89	
60	150	35	2,1	104	68	5 500		6412.2ZR	2,89	

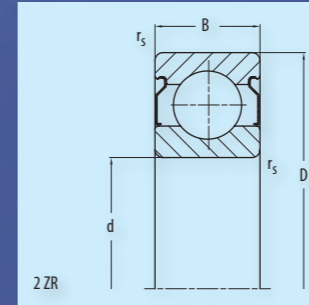
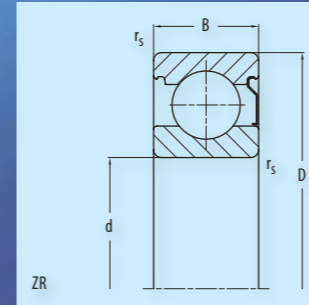
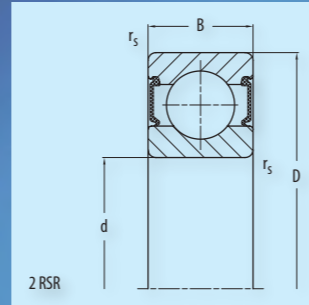
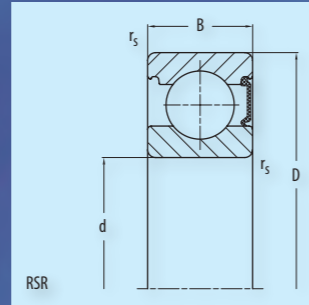
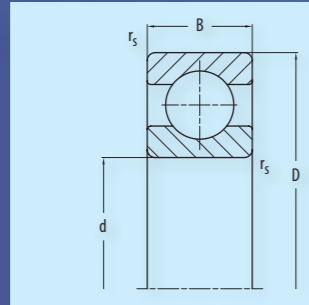
Deep groove ball bearings
single-row



Deep groove ball bearings
single-row

Shaft	Dimension (mm)				Load Rating (kN)		Speed limit (min ⁻¹)		Code	Weight (kg)
	d	D	B	r _s	C	C ₀	Grease	Oil		
					dyn.	stat.				
65	65	100	11	0,6	21,2	19,6	7 500	10 000	16013	0,298
	65	100	18	1,1	30,5	25	7 500	9 500	6013	0,436
	65	100	18	1,1	30,5	25	4 300	4 300	6013RSR	0,436
	65	100	18	1,1	30,5	25	4 300		6013.2RSR	0,436
	65	100	18	1,1	30,5	25	7 500	13 000	6013TB.P63	0,436
	65	100	18	1,1	30,5	25	7 500	9 500	6013ZR	0,436
	65	100	18	1,1	30,5	25	7 500		6013.2ZR	0,436
	65	120	23	1,5	60	41,5	6 500	7 500	6213	0,982
	65	120	23	1,5	60	41,5	3 600	3 600	6213RSR	0,982
	65	120	23	1,5	60	41,5	3 600		6213.2RSR	0,982
	65	120	23	1,5	60	41,5	6 500	11 000	6213TB.P63	0,982
	65	120	23	1,5	60	41,5	6 500	7 500	6213ZR	0,982
	65	120	23	1,5	60	41,5	6 500		6213.2ZR	0,982
	65	140	33	2,1	93	60	6 000	7 000	6313	2,13
	65	140	33	2,1	93	60	3 000	3 000	6313RSR	2,13
	65	140	33	2,1	93	60	3 000		6313.2RSR	2,13
	65	140	33	2,1	93	60	6 000	10 000	6313TB.P63	2,13
	65	140	33	2,1	93	60	6 000	7 000	6313ZR	2,13
	65	140	33	2,1	93	60	6 000		6313.2ZR	2,13
	65	160	37	2,1	114	76,5	5 000	5 500	6413	3,49
	65	160	37	2,1	114	76,5	2 600	2 600	6413RSR	3,49
65	160	37	2,1	114	76,5	2 600		6413.2RSR	3,49	
65	160	37	2,1	114	76,5	5 000	5 500	6413ZR	3,49	
65	160	37	2,1	114	76,5	5 000		6413.2ZR	3,49	
70	70	90	10	0,6	12,4	12,4	7 000	14 000	61814MA	0,166
	70	110	13	0,6	28	25	6 500	9 000	16014	0,434
	70	110	20	1,1	39	31,5	6 500	8 500	6014	0,604
	70	110	20	1,1	39	31,5	4 000	4 000	6014RSR	0,604
	70	110	20	1,1	39	31,5	4 000		6014.2RSR	0,604
	70	110	20	1,1	39	31,5	6 500	12 000	6014TB.P63	0,604
	70	110	20	1,1	39	31,5	6 500	8 500	6014ZR	0,604
	70	110	20	1,1	39	31,5	6 500		6014.2ZR	0,604

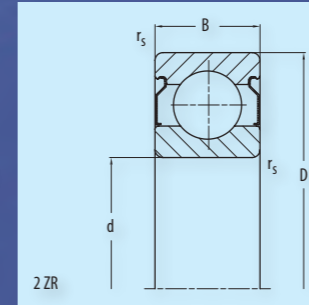
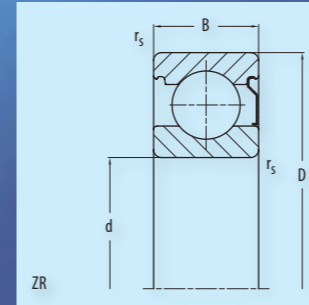
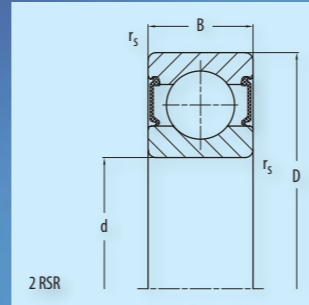
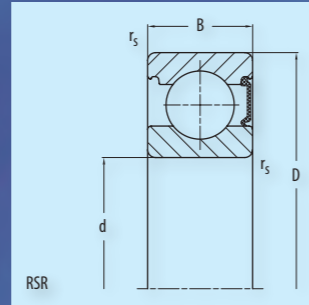
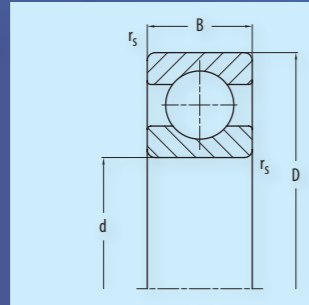
Deep groove ball bearings
single-row



Deep groove ball bearings
single-row

Shaft	Dimension (mm)				Load Rating (kN)		Speed limit (min ⁻¹)		Code	Weight (kg)
	d	D	B	r _s	C	C ₀	Grease	Oil	Bearing	
					dyn.	stat.				
70	70	125	24	1,5	62	44	6 000	7 500	6214	1,08
	70	125	24	1,5	62	44	3 400	3 400	6214RSR	1,08
	70	125	24	1,5	62	44	3 400		6214.2RSR	1,08
	70	125	24	1,5	62	44	6 000	11 000	6214TB.P63	1,08
	70	125	24	1,5	62	44	6 000	7 500	6214ZR	1,08
	70	125	24	1,5	62	44	6 000		6214.2ZR	1,08
	70	150	35	2,1	104	68	5 500	6 500	6314	2,63
	70	150	35	2,1	104	68	2 800	2 800	6314RSR	2,63
	70	150	35	2,1	104	68	2 800		6314.2RSR	2,63
	70	150	35	2,1	104	68	5 500	9 000	6314TB.P63	2,63
	70	150	35	2,1	104	68	5 500	6 500	6314ZR	2,63
	70	150	35	2,1	104	68	5 500		6314.2ZR	2,63
	70	180	42	2,1	122	86,3	4 500	5 000	6414	5,06
	70	180	42	2,1	122	86,3	2 500	2 500	6414RSR	5,06
	70	180	42	2,1	122	86,3	2 500		6414.2RSR	5,06
	70	180	42	2,1	122	86,3	4 500	5 000	6414ZR	5,06
	70	180	42	2,1	122	86,3	4 500		6414.2ZR	5,06
	75	75	115	13	0,6	28,5	27	6 500	8 500	16015
75		115	20	1,1	40	34	6 500	8 000	6015	0,643
75		115	20	1,1	40	34	3 800	3 800	6015RSR	0,643
75		115	20	1,1	40	34	3 800		6015.2RSR	0,643
75		115	20	1,1	40	34	6 500	11 000	6015TB.P63	0,643
75		115	20	1,1	40	34	6 500	8 000	6015ZR	0,643
75		115	20	1,1	40	34	6 500		6015.2ZR	0,643
75		130	25	1,5	65,5	49	6 000	7 500	6215	1,21
75		130	25	1,5	65,5	49	3 200	3 200	6215RSR	1,21
75		130	25	1,5	65,5	49	3 200		6215.2RSR	1,21
75		130	25	1,5	65,5	49	6 000	10 000	6215TB.P63	1,21
75		130	25	1,5	65,5	49	6 000	7 500	6215ZR	1,21
75		130	25	1,5	65,5	49	6 000		6215.2ZR	1,21
75		160	37	2,1	114	76,5	5 000	6 000	6315	3,12
75		160	37	2,1	114	76,5	2 600	2 600	6315RSR	3,12
75		160	37	2,1	114	76,5	2 600		6315.2RSR	3,12
75		160	37	2,1	114	76,5	5 000	6 000	6315ZR	3,12
75		160	37	2,1	114	76,5	5 000		6315.2ZR	3,12

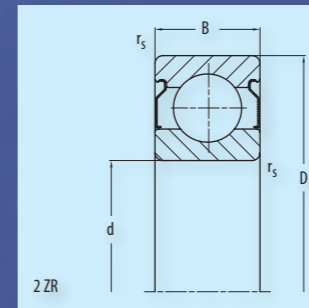
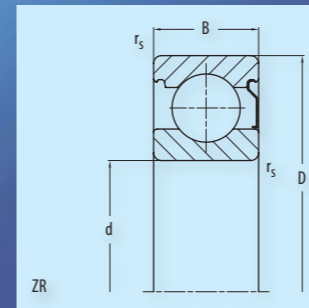
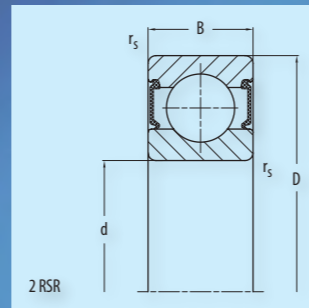
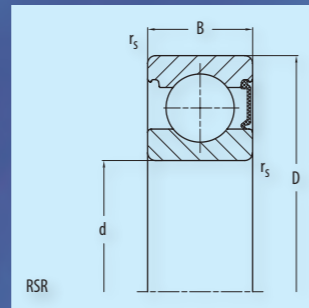
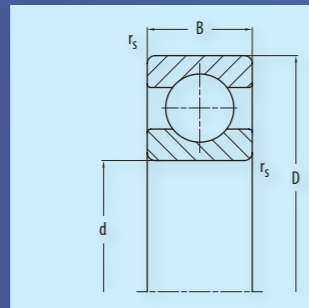
Deep groove ball bearings
single-row



Deep groove ball bearings
single-row

Shaft	Dimension (mm)				Load Rating (kN)		Speed limit (min ⁻¹)		Code	Weight (kg)
	d	D	B	r _s	C	C ₀	Grease	Oil	Bearing	
					dyn.	stat.				
80	80	125	14	0,6	32	31	6 000	7 500	16016	0,615
	80	125	22	1,1	47,5	40	6 000	7 500	6016	0,850
	80	125	22	1,1	47,5	40	3 300	3 300	6016RSR	0,850
	80	125	22	1,1	47,5	40	3 300		6016.2RSR	0,850
	80	125	22	1,1	47,5	40	6 000	11 000	6016TB.P63	0,850
	80	125	22	1,1	47,5	40	6 000	7 500	6016ZR	0,850
	80	125	22	1,1	47,5	40	6 000		6016.2ZR	0,850
	80	140	26	2	72	53	5 500	6 500	6216	1,42
	80	140	26	2	72	53	3 000	3 000	6216RSR	1,42
	80	140	26	2	72	53	3 000		6216.2RSR	1,42
	80	140	26	2	72	53	5 500	6 500	6216ZR	1,42
	80	140	26	2	72	53	5 500		6216.2ZR	1,42
	80	170	39	2,1	122	86,5	4 800	5 500	6316	3,73
	80	170	39	2,1	122	86,5	2 500	2 500	6316RSR	3,73
	80	170	39	2,1	122	86,5	2 500		6316.2RSR	3,73
	80	170	39	2,1	122	86,5	4 800	5 500	6316ZR	3,73
	80	170	39	2,1	122	86,5	4 800		6316.2ZR	3,73
	85	85	110	13	1	19	19,7	6 000	11 000	61817M
85		130	14	0,6	34	33,5	5 500	7 500	16017	0,651
85		130	22	1,1	50	43	5 500	7 000	6017	0,895
85		130	22	1,1	50	43	3 200	3 200	6017RSR	0,895
85		130	22	1,1	50	43	3 200		6017.2RSR	0,895
85		130	22	1,1	50	43	5 500	7 000	6017ZR	0,895
85		130	22	1,1	50	43	5 500		6017.2ZR	0,895
85		150	28	2	83	64	5 000	6 000	6217	1,82
85		150	28	2	83	64	2 800	2 800	6217RSR	1,82
85		150	28	2	83	64	2 800		6217.2RSR	1,82
85		150	28	2	83	64	5 000	6 000	6217ZR	1,82
85		150	28	2	83	64	5 000		6217.2ZR	1,82
85		180	41	3	125	88	4 500	5 000	6317	4,24
85		180	41	3	125	88	2 400	2 400	6317RSR	4,24
85		180	41	3	125	88	2 400		6317.2RSR	4,24
85		180	41	3	125	88	4 500	5 000	6317ZR	4,24
85		180	41	3	125	88	4 500		6317.2ZR	4,24

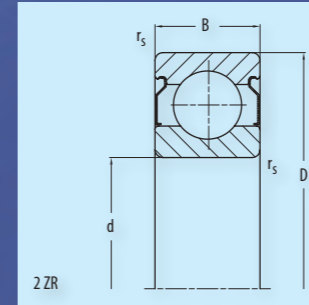
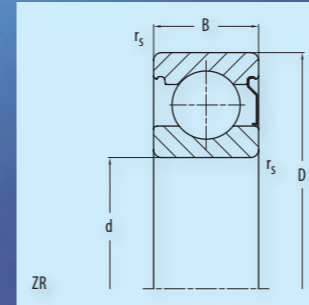
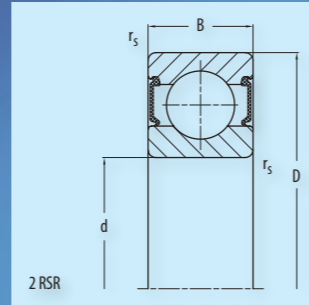
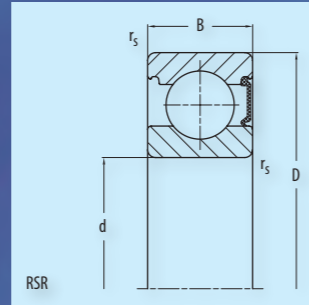
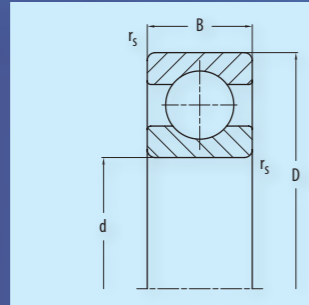
Deep groove ball bearings
single-row



Deep groove ball bearings
single-row

Shaft	Dimension (mm)				Load Rating (kN)		Speed limit (min ⁻¹)		Code	Weight (kg)
	d	D	B	r _s	C	C ₀	Grease	Oil	Bearing	
					dyn.	stat.				
90	90	140	16	1	41,5	39	5 200	7 000	16018	0,859
	90	140	24	1,5	58,5	50	5 000	6 500	6018	1,18
	90	140	24	1,5	58,5	50	3 000	3 000	6018RSR	1,18
	90	140	24	1,5	58,5	50	3 000		6018.2RSR	1,18
	90	140	24	1,5	58,5	50	5 000	6 500	6018ZR	1,18
	90	140	24	1,5	58,5	50	5 000		6018.2ZR	1,18
	90	160	30	2	96,5	72	4 800	5 500	6218	2,20
	90	160	30	2	96,5	72	2 500	2 500	6218RSR	2,20
	90	160	30	2	96,5	72	2 500		6218.2RSR	2,20
	90	160	30	2	96,5	72	4 800	5 500	6218ZR	2,20
	90	160	30	2	96,5	72	4 800		6218.2ZR	2,20
	90	190	43	3	134	102	4 300	4 900	6318	5,27
	90	190	43	3	134	102	4 300	4 900	6318ZR	5,27
	90	190	43	3	134	102	4 300		6318.2ZR	5,27
	95	95	145	16	1	40	40,5	5 000	6 500	16019
95		145	24	1,5	60	54	5 000	6 500	6019	1,21
95		145	24	1,5	60	54	5 000	6 500	6019ZR	1,21
95		145	24	1,5	60	54	5 000		6019.2ZR	1,21
95		170	32	2,1	108	81,5	4 500	5 500	6219	2,67
95		170	32	2,1	108	81,5	2 400	2 400	6219RSR	2,67
95		170	32	2,1	108	81,5	2 400		6219.2RSR	2,67
95		170	32	2,1	108	81,5	4 500	5 500	6219ZR	2,67
95		170	32	2,1	108	81,5	4 500		6219.2ZR	2,67
95		200	45	3	143	112	4 100	4 600	6319	6,14
95		200	45	3	143	112	2 200	2200	6319RSR	6,14
95		200	45	3	143	112	2 200		6319.2RSR	6,14
95		200	45	3	143	112	4 100	4600	6319ZR	6,14
95		200	45	3	143	112	4 100		6319.2ZR	6,14
100		100	150	16	1	44	44	4 800	6 500	16020
	100	150	24	1,5	60	54	4 800	6 000	6020	1,26
	100	150	24	1,5	60	54	2 800	2 800	6020RSR	1,26
	100	150	24	1,5	60	54	2 800		6020.2RSR	1,26
	100	150	24	1,5	60	54	4 800	6 000	6020ZR	1,26
	100	150	24	1,5	60	54	4 800		6020.2ZR	1,26

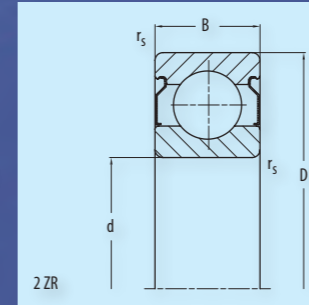
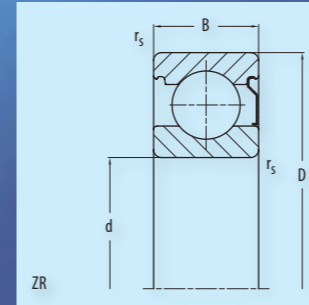
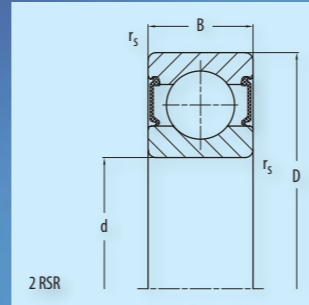
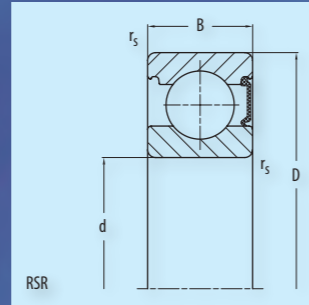
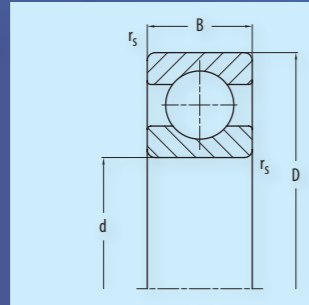
Deep groove ball bearings
single-row



Deep groove ball bearings
single-row

Shaft	Dimension (mm)				Load Rating (kN)		Speed limit (min ⁻¹)		Code	Weight (kg)
	d	D	B	r _s	C	C ₀	Grease	Oil	Bearing	
					dyn.	stat.				
100	100	180	34	2,1	122	93	4 300	5 000	6220	3,22
	100	180	34	2,1	122	93	2 400	2 400	6220RSR	3,22
	100	180	34	2,1	122	93	2 400		6220.2RSR	3,22
	100	180	34	2,1	122	93	4 300	5 000	6220ZR	3,22
	100	180	34	2,1	122	93	4 300		6220.2ZR	3,22
	100	215	47	3	163	134	3 800	4 300	6320	7,56
	100	215	47	3	163	134	3 800	4 300	6320ZR	7,56
	100	215	47	3	163	134	3 800		6320.2ZR	7,56
	105	105	160	18	1	54	54	4 500	6 000	16021
105		160	26	2	71	64	4 500	5 500	6021	1,58
105		160	26	2	71	64	4 500	5 500	6021ZR	1,58
105		160	26	2	71	64	4 500		6021.2ZR	1,58
105		190	36	2,1	132	104	4 100	4 800	6221	3,86
105		190	36	2,1	132	104	4 100	4 800	6221ZR	3,86
105		190	36	2,1	132	104	4 100		6221.2ZR	3,86
110	110	170	19	1	57	57	4 300	5 500	16022	1,49
	110	170	28	2	80	71	4 300	5 500	6022	1,97
	110	170	28	2	80	71	4 300	5 500	6022ZR	1,97
	110	170	28	2	80	71	4 300		6022.2ZR	1,97
	110	200	38	2,1	143	116	3 900	4 500	6222	4,57
	110	200	38	2,1	143	116	3 900	4 500	6222ZR	4,57
	110	200	38	2,1	143	116	3 900		6222.2ZR	4,57
	110	240	50	3	190	166	3 400	3 800	6322	10,3
	110	240	50	3	190	166	3 400	3 800	6322ZR	10,3
120	120	150	16	1,1	28,4	32,7	4 400	8 000	61824M	0,658
	120	180	19	1	61	64	4 000	5 000	16024	1,60
	120	180	28	2	83	78	4 000	5 000	6024	2,11
	120	180	28	2	83	78	2 200	2 200	6024RSR	2,11
	120	180	28	2	83	78	2 200		6024.2RSR	2,11
	120	180	28	2	83	78	4 000	5 000	6024ZR	2,11
	120	180	28	2	83	78	4 000		6024.2ZR	2,11
	120	215	40	2,1	146	122	3 600	4 200	6224	5,60
	120	260	55	3	207	185	3 200	3 600	6324	12,8

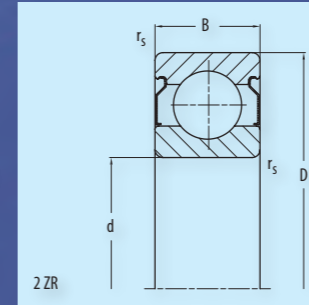
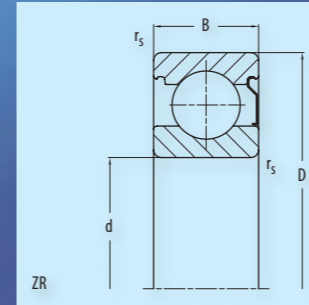
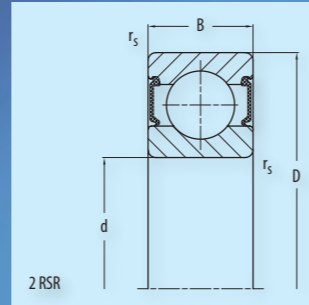
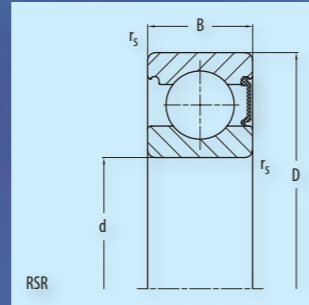
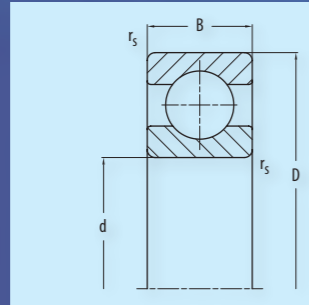
Deep groove ball bearings
single-row



Deep groove ball bearings
single-row

Shaft	Dimension (mm)				Load Rating (kN)		Speed limit (min ⁻¹)		Code	Weight (kg)
	d	D	B	r _s	C	C ₀	Grease	Oil		
130	130	200	22	1,1	78	81,5	3 600	4 700	16026	2,42
	130	200	33	2	104	100	3 600	4 500	6026	3,27
	130	200	33	2	104	100	3 600	4 500	6026ZR	3,27
	130	200	33	2	104	100	3 600		6026.2ZR	3,27
	130	230	40	3	166	146	3 400	3 900	6226	6,22
	130	280	58	4	229	213	2 900	3 300	6326M	18,0
140	140	175	18	1,1	38,9	44,6	3 800	6 500	61828M	0,990
	140	210	22	1,1	81	87	3 400	4 400	16028	2,53
	140	210	33	2	108	108	3 400	4 300	6028M	3,50
	140	250	42	3	177	165	3 100	3 600	6228	7,85
	140	300	62	4	252	245	2 700	3 100	6328M	21,4
150	150	225	24	1,1	92	98	3 200	4 100	16030	3,12
	150	225	35	2,1	122	125	3 200	4 000	6030	4,38
	150	270	45	3	176	169	2 900	3 400	6230	10,1
	150	320	65	4	280	290	2 600	3 000	6330M	26,5
160	160	240	25	1,1	103	113	3 000	3 800	16032	3,77
	160	240	38	2,1	134	135	3 000	3 700	6032M	5,98
	160	290	48	3	200	203	2 700	3 200	6232M	14,6
	160	340	68	4	300	325	2 400	2 800	6332M	31,8
170	170	260	28	1,5	123	135	2 800	3 500	16034	5,12
	170	260	42	2,1	169	171	2 800	3 400	6034	7,13
	170	310	52	4	213	222	2 500	3 000	6234M	18,1
	170	360	72	4	327	367	2 300	2 700	6334M	37,3
180	180	280	31	2	138	149	2 600	3 400	16036	6,57
	180	280	46	2,1	189	199	2 600	3 200	6036M	10,5
	180	320	52	4	227	243	2 400	2 900	6236M	18,8
	180	380	75	4	354	412	2 100	2 500	6336M	42,8
190	190	290	31	2	149	167	2 500	3 100	16038	6,96
	190	290	46	2,1	196	211	2 500	3 100	6038M	11,3
	190	400	78	5	370	440	2 000	2 400	6338M	49,2
200	200	250	24	1,5	77,1	95,2	2 700	3 500	61840MA	2,73
	200	310	34	2	175	203	2 400	2 900	16040	9,11
	200	310	51	2,1	217	244	2 400	3 000	6040M	14,4
	200	360	58	4	269	311	2 100	2 600	6240M	26,9
	200	420	80	5	383	465	1 900	2 300	6340M	56,6

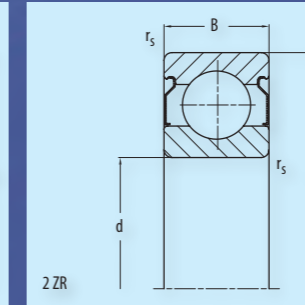
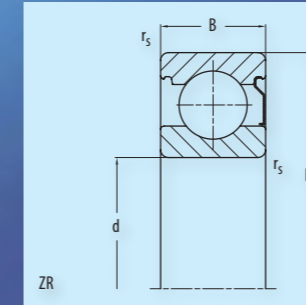
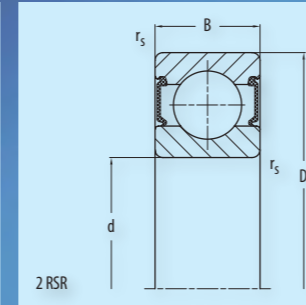
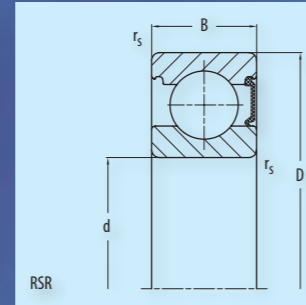
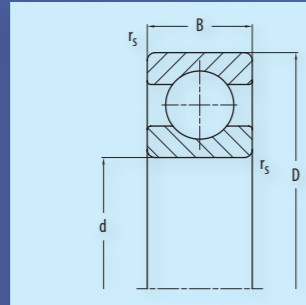
Deep groove ball bearings
single-row



Deep groove ball bearings
single-row

Shaft	Dimension (mm)				Load Rating (kN)		Speed limit (min ⁻¹)		Code	Weight (kg)
	d	D	B	r _s	C	C ₀	Grease	Oil	Bearing	
					dyn.	stat.				
220	220	340	37	2,1	197	241	2 100	2 600	16044	12,0
	220	340	56	3	247	292	2 100	2 600	6044M	18,8
	220	400	65	4	296	354	1 900	2 400	6244M	37,6
	220	460	88	5	440	560	1 800	2 200	6344M	73,0
240	240	300	28	2	98,9	131	2 200	2 900	61848MA	4,43
	240	320	38	2,1	182	215	2 100	2 900	61948	6,71
	240	360	37	2,1	205	254	2 000	2 500	16048	14,2
	240	360	56	3	255	318	2 000	2 500	6048M	20,5
	240	500	95	5	470	624	1 600	2 000	6348M	96,4
260	260	360	46	2,1	213	269	1 900	2 700	61952MA	14,1
	260	400	65	4	300	386	1 800	2 300	6052M	29,4
	260	480	80	5	408	563	1 600	2 100	6252M	68,4
280	280	350	33	2,1	124	169	1 900	2 400	61856M	7,21
	280	380	46	2,1	229	298	1 800	2 500	61956	12,3
	280	420	65	4	311	421	1 700	2 200	6056M	33,5
	280	500	80	5	425	596	1 500	2 000	6256M	71,9
300	300	420	56	3	273	382	1 700	2 400	61960M	24,2
	300	460	74	4	366	514	1 600	2 100	6060M	44,5
320	320	400	38	2,1	158	219	1 700	2 800	61864M	11,0
	320	440	56	3	285	405	1 600	2 200	61964M	25,5
	320	480	74	4	379	559	1 500	2 000	6064M	47,4
340	340	420	38	2,1	163	228	1 600	2 600	61868M	11,5
	340	460	56	3	282	418	1 500	2 100	61968M	26,1
	340	520	82	5	441	695	1 400	1 900	6068M	63,2
360	360	440	38	2,1	181	261	1 500	2 400	61872MA	12,7
	360	480	56	3	298	452	1 400	2 000	61972M	28,2
	360	540	82	5	461	741	1 300	1 800	6072M	66,2
380	380	480	46	2,1	215	319	1 400	2 200	61876M	20,2
	380	520	65	4	358	562	1 300	1 800	61976M	40,8
400	400	500	46	2,1	220	331	1 300	2 100	61880M	20,9
	400	540	65	4	362	598	1 300	1 800	61980M	42,7
	400	600	90	5	516	868	1 200	1 600	6080M	90,6
420	420	520	46	2,1	225	343	1 300	2 000	61884M	22,1
	420	560	65	4	375	630	1 200	1 700	61984M	44,5
440	440	540	46	3	231	356	1 200	2 000	61888M	23,1
	440	600	74	4	405	695	1 100	1 500	61988M	61,5

Deep groove
ball bearings
single-row



Deep groove
ball bearings
single-row

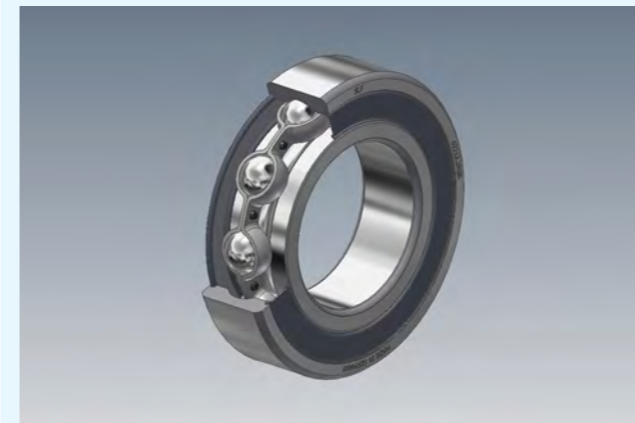
Shaft	Dimension (mm)				Load Rating (kN)		Speed limit (min ⁻¹)		Code	Weight (kg)
	d	D	B	r _s min	C	C ₀	Grease	Oil	Bearing	
					dyn.	stat.				
460	460	580	56	3	291	484	1 200	1 900	61892M	35,0
480	480	600	56	3	294	496	1 100	1 800	61896M	36,4
500	500	720	100	6	651	1 261	1 000	1 300	60/500M	133
560	560	820	115	6	735	1 500	850	1 200	60/560M	209
750	750	1090	150	7,5	1 100	2 665	650	800	60/750M	469
850	850	1220	165	7,5	1 300	3 380	600	670	60/850M	626

Deep groove ball bearings, single-row, wide series

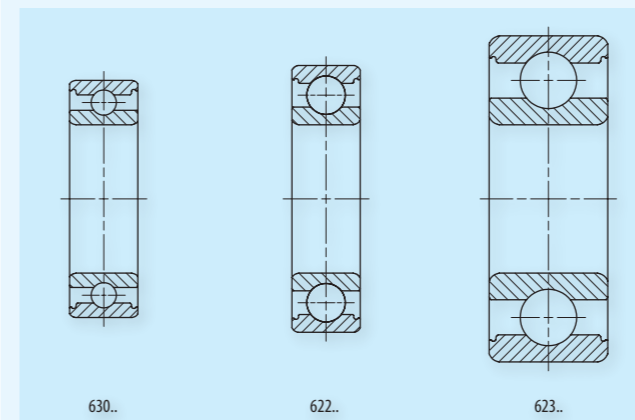
Design and characteristics of single-row deep groove ball bearings of the wide series correspond to that of single-row deep groove ball bearings. The difference is that they belong to a different series of widths and are thus wider than the relevant single-row deep groove ball bearings.

SLF produces wide deep groove ball bearings in the bearing series 630.., 622.. and 623.. without and with sealing discs. Standard version of the sealed bearings is provided with sealing discs at both sides (suffix .2RSR).

Besides the solid design sealed deep groove ball bearings especially have a larger grease depot whereby a longer grease operating life is expected.



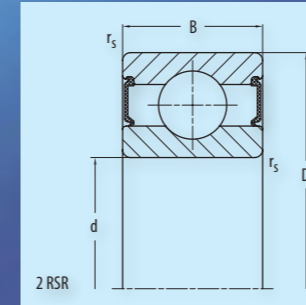
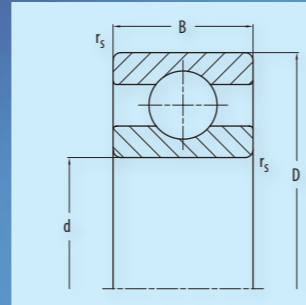
Deep groove ball bearing, wide series



Series deep groove ball bearings, wide series

Deep groove ball bearings

single-row | wide series



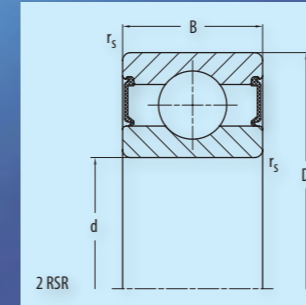
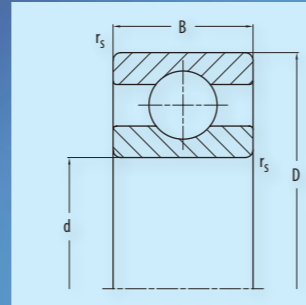
Deep groove ball bearings

single-row | wide series

Shaft	Dimension (mm)				Load rating (kN)		Speed limit (min ⁻¹)		Code	Weight (kg)
	d	D	B	r _s	C	C ₀	Grease	Oil	Bearing	
					dyn.	stat.				
20	20	47	18	1	12,7	6,55	18 000	22 000	62204	0,131
	20	47	18	1	12,7	6,55	10 000		62204.2RSR	0,131
25	25	47	16	0,6	10	5,85	17 000	22 000	63005	0,100
	25	47	16	0,6	10	5,85	10 000		63005.2RSR	0,100
	25	52	18	1	14	7,8	16 000	20 000	62205	0,153
	25	52	18	1	14	7,8	9 000		62205.2RSR	0,153
	25	62	24	1,1	22,4	11,4	14 000	16 000	62305	0,317
	25	62	24	1,1	22,4	11,4	7 500		62305.2RSR	0,317
30	30	55	19	1	12,7	8	14 000	18 000	63006	0,161
	30	55	19	1	12,7	8	8 500		63006.2RSR	0,161
	30	62	20	1	19,3	11,2	13 000	16 000	62206	0,236
	30	62	20	1	19,3	11,2	7 500		62206.2RSR	0,236
	30	72	27	1,1	29	16,3	12 000	14 000	62306	0,473
	30	72	27	1,1	29	16,3	6 300		62306.2RSR	0,473
35	35	62	20	1	16,3	10,4	12 000	16 000	63007	0,211
	35	62	20	1	16,3	10,4	7 500		63007.2RSR	0,211
	35	72	23	1,1	25,5	15,3	11 000	14 000	62207	0,375
	35	72	23	1,1	25,5	15,3	6 300		62207.2RSR	0,375
	35	80	31	1,5	33,5	19	10 000	12 000	62307	0,658
	35	80	31	1,5	33,5	19	5 600		62307.2RSR	0,658
40	40	68	21	1	17	11,8	11 000	15 000	63008	0,280
	40	68	21	1	17	11,8	6 700		63008.2RSR	0,280
	40	80	23	1,1	29	18	10 000	12 000	62208	0,460
	40	80	23	1,1	29	18	5 600		62208.2RSR	0,460
	40	90	33	1,5	42,5	25	9 000	11 000	62308	0,874
	40	90	33	1,5	42,5	25	5 000		62308.2RSR	0,874
45	45	75	23	1	20	14,3	10 000	13 000	63009	0,323
	45	75	23	1	20	14,3	6 000		63009.2RSR	0,323
	45	85	23	1,1	32,5	20,4	9 500	11 000	62209	0,481
	45	85	23	1,1	32,5	20,4	5 300		62209.2RSR	0,481
	45	100	36	1,5	53	32	8 500	9 500	62309	1,19
	45	100	36	1,5	53	32	4 500		62309.2RSR	1,19
50	50	80	23	1	20,8	15,6	9 000	12 000	63010	0,365
	50	80	23	1	20,8	15,6	5 600		63010.2RSR	0,365
	50	90	23	1,1	36,5	24	8 500	10 000	62210	0,514
	50	90	23	1,1	36,5	24	4 800		62210.2RSR	0,514

Deep groove ball bearings

single-row | wide series



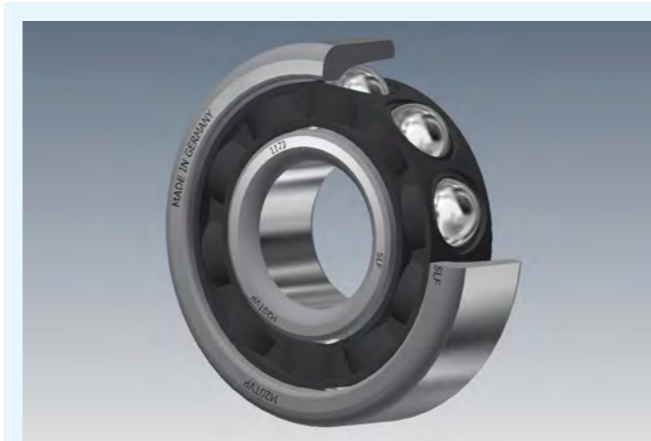
Deep groove ball bearings

single-row | wide series

Shaft	Dimension (mm)				Load rating (kN)		Speed limit (min ⁻¹)		Code	Weight (kg)
	d	D	B	r _s min	C	C ₀	Grease	Oil		
					dyn.	stat.				
50	50	110	40	2	62	38	7 500	8 500	62310	1,50
	50	110	40	2	62	38	4 000		62310.2RSR	1,50
55	55	100	25	1,5	43	29	7 500	9 500	62211	0,699
	55	100	25	1,5	43	29	4 300		62211.2RSR	0,699
60	60	110	28	1,5	52	36	7 000	8 500	62212	0,800
	60	110	28	1,5	52	36	4 000		62212.2RSR	0,800
	60	130	46	2,1	86	52	6 500	7 500	62312	2,46
	60	130	46	2,1	86	52	3 400		62312.2RSR	2,46
70	70	125	31	1,5	62	44	6 000	7 500	62214	1,10
	70	125	31	1,5	62	44	3 400		62214.2RSR	1,10

Magneto bearings

The magneto bearing is a bearing which can be dismantled and which consists of a deep groove ball bearing inner ring and an outer ring with one shoulder only. The outer ring raceway in the groove base passes over in a short cylindrical raceway without edges. The bearing rings can be installed separately which is the advantage of bearings being assembled in series.



Magneto bearing

Cages

Magneto bearings are offered in two cage versions. These are

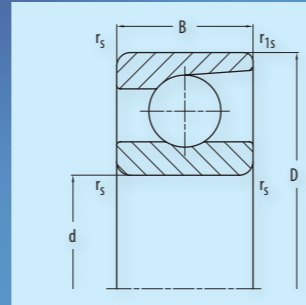
- cages of fiber-glass reinforced polyamide 66 and
- cages of brass plate.

Same limitations apply to polyamide cages as described for deep groove ball bearings.

Tolerances, bearing clearance

Outer diameter of magneto bearings is +0.010/0 mm tolerated uniformly. The other tolerances are equal to those of other radial bearings and correspond to the standard tolerance. Two magneto bearings of a shaft bearing are installed with low axial clearance. As a result length changes are compensated and high-speed shafts can set in axial direction.

Norms	
Magneto bearing	DIN 615



Shaft	Dimension (mm)					Load rating (kN)		Speed limit (min ⁻¹)		Code Bearing	Weight (kg)
	d	D	B	r _s	r _{1s}	C	C ₀	Grease	Oil		
				min	min	dyn.	stat.				
15	15	35	8	0,3	0,15	4,50	0,78	19 000	24 000	E15YP	0,036
	15	40	10	0,6	0,6	7,35	1,22	18 000	22 000	B015TVP	0,060
17	17	40	10	0,6	0,3	5,70	1,02	17 000	20 000	L17TVP	0,057
	17	44	11	0,6	0,6	8,80	1,50	15 000	18 000	B017TVP	0,080
	17	44	11	0,6	0,6	8,80	1,50	15 000	18 000	B017YP	0,080
20	20	47	12	1	0,6	8,80	1,63	14 000	17 000	E20TVP	0,093
	20	47	14	1	0,6	8,80	1,63	14 000	17 000	L20TVP	0,100
	20	52	15	1,1	0,6	12,2	2,16	13 000	16 000	M20TVP	0,146
	20	52	15	1,1	0,6	12,2	2,16	13 000	16 000	M20YP	0,146
25	25	52	15	1	0,6	8,65	1,73	12 000	15 000	L25TVP	0,124

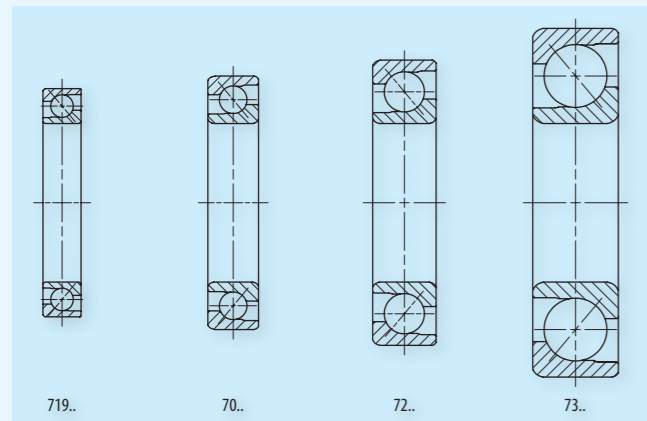
Angular contact ball bearings, single-row

Single-row angular contact ball bearings are provided with raceways in the inner and outer ring which are offset to each other towards the bearing axis and accept axial forces only in one direction. Under radial loads, a force, which acts in axial direction, is developed in the bearing which must be compensated by a counter-force. Thus the bearings are positioned against a second bearing. The contact angle α is 40° for bearings with suffix B and for bearings without suffix 20° and/or 30° . α designates the angle which is enclosed by the connection line of the two contact points between ball and raceways with the radial place and under which the load is transmitted from one raceway to the other.

Angular contact ball bearings are produced in the series 719, 70, 72 and 73.



Angular contact ball bearing



Series angular contact ball bearings

Universal designs

Universal design of single-row angular contact ball bearings is intended for installation in pairs in X, O or tandem arrangement. Universal design means that the raceways and lateral faces of the rings are adapted to each other when manufacturing the bearing so that any bearing of the same size and design can be installed directly in the above mentioned arrangements. The following universal designs should be differentiated here:

Universal designs	
UA	with axial clearance
UO	without clearance (without preload)
UL	low preload
UM	medium preload
US	heavy preload

Bearing arrangement

For assembling the following bearing arrangements, only universal design bearings with the same preload (e.g. UL) and the same tolerance class must be used.

O and X arrangements are used to accept axial loads from both directions or to accept higher radial loads.

In the O arrangement, the large plane sides of the outer rings contact each other, while the small plane sides of the outer rings contact each other in the X arrangement. The O arrangement has a higher supporting width H than the X arrangement and thus a higher resistance against tilt.

Tandem arrangements including two or three bearings are used for carrying high axial loads in one direction. They insure a high rigidity of the shaft mounting. Bearings in tandem arrangement carry equal portions of the axial load. The TO- and the TX-arrangement like the tandem arrangement are used for carrying high axial loads in one direction. The additional third bearing acts as a counter-guidance and changes the multiple arrangement into a fixed bearing.

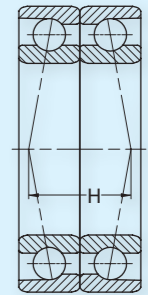
The **TOT-arrangement** is used as a fixed bearing in case of high radial loads and high axial loads from both directions. A very high rigidity is achieved with this arrangement. It is advisable not to install more than three bearings directly side by side otherwise the dissipation of heat will be impaired and lubricant supply to all bearings will become difficult. For this reason distance rings should be provided. Radial bores in the outer distance ring enable an easy feeding of lubricant.

All arrangements are available as set on request.

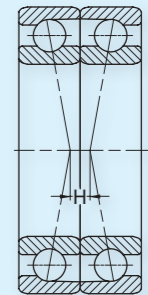
Distance rings

Distance rings can be used for every arrangement of angular contact ball bearings in universal design. When producing the distance rings it must be ensured that the inner and outer ring is of equal width and plane-parallel.

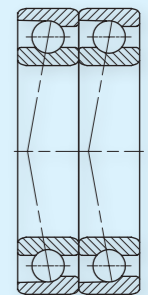
O-arrangement



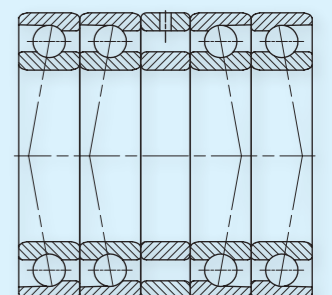
X-arrangement



T-arrangement



TOT-arrangement



Tolerances for the outer and inner spacer ring maximum admissible values in μm

Tolerance class	P0, P6, P5, P4	P2
Width difference between inner and outer spacer ring	3	2
Width variation	2,5	1,3
Axial runout	2,5	1,3

Bearing pairs with spacer ring

Angular contact ball bearings can be supplied on customer's request with finished adapted spacer rings ready for installation in tandem, O or X arrangement.

For bearing pairs with spacer rings, in particular installation of the bearings at the correct side should be noted. In order to avoid incorrect installation thus the shared identity of the individual parts is indicated at the bearing pair by symbols (arrow at the outer diameter of the outer rings).

Cages

In single-row angular contact ball bearings the cage consists of fiber-glass reinforced polyamide 66 the standard design in the diameter range of the bore up to approx. 130 mm. Same limitations are applicable for the cage as for the deep groove ball bearing. In addition, cages of brass (standard, if cage does not consist of fiber-glass reinforced polyamide 66) steel sheet and/or brass plate can be supplied on request.

Tolerances

As standard, the single-row angular contact ball bearings are produced with standard tolerance. Bearings with the tolerances P6, P5 or P4 are possible on request.

Width tolerance for universal bearings and matched bearings

Tolerance of ring width					
Bore d mm		Width deviation			
		ΔB_s			
		μm			
		PN		P5	
over	up to	min.	max.	min.	max.
-	50	0	-250	0	-250
50	80	0	-380	0	-250
80	120	0	-380	0	-380
120	180	0	-500	0	-380
180	315	0	-500	0	-500

Axial bearing clearance and preload

Axial clearance or without clearance is valid for unmounted bearing sets. For tight fitted bearings axial clearance is decreasing resp. preload of bearing set is increasing.

Bore figure	Axial clearance of bearing set in μm		Preload in N	
	UA	UO	UL	
	70(B), 72B, 73B		72B	73B
	Tolerance classes PN, P6, P5			
03	24	0	77	123
04	28	0	103	146
05	34	0	112	200
06	34	0	157	250
07	40	0	208	300
08	40	0	246	385
09	44	0	277	462
10	44	0	288	535
11	46	0	358	600
12	46	0	431	692
13	46	0	492	785
14	50	0	535	877
15	50	0	523	977
16	50	0	615	1 077
17	54	0	692	1 154
18	54	0	815	1 231
19	54	0	892	1 331
20	54	0	1 054	1 485
21	58	0	1 100	1 600
22	58	0	1 177	1 723
24	58	0	1 277	1 923
26	60	0	1 354	2 115
28	60	0	1 508	2 308
30	60	0	1 723	2 500
32	60	0	1 815	2 769
34	70	0	2 038	3 000

Tolerances of axial bearing clearance

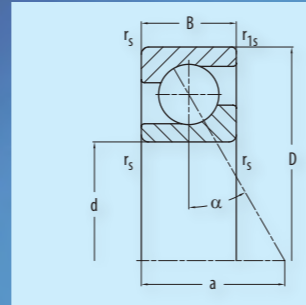
for unmounted bearings sets in universal desing for X- and O-arrangement.

Bore figure	70B, 72B		73B	
	Tolerance classes in μm			
	PN, P6	P5	PN, P6	P5
00 up to 09	+8	+6	+8	+6
10 up to 11	+8	+6	+12	+10
12 up to 34	+12	+10	+12	+10

Other designs

Also angular contact ball bearings with ceramic balls or ceramic coating for current insulation up to 1000 Volts are available. SLF angular contact ball bearings can be supplied as „LONGLIFE“ version on request. Bearings of this design have a higher fatigue limit load as compared with the standard bearing. Bearing and package are marked with „LONGLIFE“.

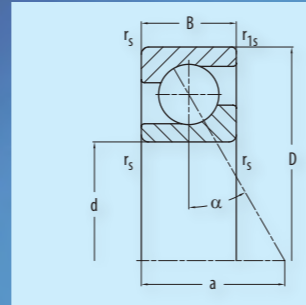
Norms	
Single-row angular contact ball bearing	DIN 628-1



Shaft	Dimension (mm)						Load rating (kN)		Speed limit (min ⁻¹)		Code	Weight (kg)
	d	D	B	r _s	r _{1s}	a	C	C ₀	Grease	Oil		
				min	min							
				dyn.	stat.							
17	17	40	12	0,6	0,6	18	10	5,5	15 000	20 000	7203B.TVP	0,067
	17	40	12	0,6	0,6	18	10	5,5	15 000	20 000	7203B.TVP.UA	0,067
	17	40	12	0,6	0,6	18	10	5,5	15 000	20 000	7203B.TVP.UO	0,067
	17	47	14	1	0,6	20	16	8,3	13 000	18 000	7303B.TVP	0,113
	17	47	14	1	0,6	20	16	8,3	13 000	18 000	7303B.TVP.UA	0,113
	17	47	14	1	0,6	20	16	8,3	13 000	18 000	7303B.TVP.UO	0,113
20	20	47	14	1	0,6	21	13,4	7,65	13 000	18 000	7204B.TVP	0,107
	20	47	14	1	0,6	21	13,4	7,65	13 000	18 000	7204B.TVP.UA	0,107
	20	47	14	1	0,6	21	13,4	7,65	13 000	18 000	7204B.TVP.UO	0,107
	20	52	15	1,1	0,6	23	19	10,4	12 000	17 000	7304B.TVP	0,146
	20	52	15	1,1	0,6	23	19	10,4	12 000	17 000	7304B.TVP.UA	0,146
	20	52	15	1,1	0,6	23	19	10,4	12 000	17 000	7304B.TVP.UO	0,146
25	25	47	12	0,6	0,3	21	15	9,3	11 500	16 000	7005B.MP	0,071
	25	47	12	0,6	0,3	21	15	9,3	11 500	16 000	7005B.MP.UA	0,071
	25	47	12	0,6	0,3	21	15	9,3	11 500	16 000	7005B.MP.UO	0,071
	25	52	15	1	0,6	24	14,6	9,3	11 000	16 000	7205B.TVP	0,131
	25	52	15	1	0,6	24	14,6	9,3	11 000	16 000	7205B.TVP.UA	0,131
	25	52	15	1	0,6	24	14,6	9,3	11 000	16 000	7205B.TVP.UO	0,131
	25	62	17	1,1	0,6	27	26	15	9 500	14 000	7305B.TVP	0,229
	25	62	17	1,1	0,6	27	26	15	9 500	14 000	7305B.TVP.UA	0,229
	25	62	17	1,1	0,6	27	26	15	9 500	14 000	7305B.TVP.UO	0,229
30	30	62	16	1	0,6	27	20,4	13,4	9 000	13 000	7206B.TVP	0,201
	30	62	16	1	0,6	27	20,4	13,4	9 000	13 000	7206B.TVP.UA	0,201
	30	62	16	1	0,6	27	20,4	13,4	9 000	13 000	7206B.TVP.UO	0,201
	30	72	19	1,1	0,6	31	32,5	20	8 000	11 000	7306B.TVP	0,349
	30	72	19	1,1	0,6	31	32,5	20	8 000	11 000	7306B.TVP.UA	0,349
	30	72	19	1,1	0,6	31	32,5	20	8 000	11 000	7306B.TVP.UO	0,349
35	35	62	14	1	0,6	27	22,4	16	8 500	12 000	7007B.MP	0,140
	35	62	14	1	0,6	27	22,4	16	8 500	12 000	7007B.MP.UA	0,140
	35	62	14	1	0,6	27	22,4	16	8 500	12 000	7007B.MP.UO	0,140
	35	72	17	1,1	0,6	31	27	18,3	8 000	11 000	7207B.TVP	0,287
	35	72	17	1,1	0,6	31	27	18,3	8 000	11 000	7207B.TVP.UA	0,287
	35	72	17	1,1	0,6	31	27	18,3	8 000	11 000	7207B.TVP.UO	0,287
	35	80	21	1,5	1	35	39	25	7 000	9 500	7307B.TVP	0,456
	35	80	21	1,5	1	35	39	25	7 000	9 500	7307B.TVP.UA	0,456
	35	80	21	1,5	1	35	39	25	7 000	9 500	7307B.TVP.UO	0,456

Angular contact ball bearings

single-row



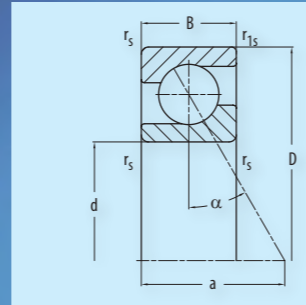
Angular contact ball bearings

single-row

Shaft	Dimension (mm)						Load rating (kN)		Speed limit (min ⁻¹)		Code	Weight (kg)
	d	D	B	r _s	r _{1s}	a	C	C ₀	Grease	Oil	Bearing	
				min	min							
				dyn.	stat.							
40	40	80	18	1,1	0,6	34	32	23,2	7 000	9 500	7208B.TVP	0,373
	40	80	18	1,1	0,6	34	32	23,2	7 000	9 500	7208B.TVP.UA	0,373
	40	80	18	1,1	0,6	34	32	23,2	7 000	9 500	7208B.TVP.UO	0,373
	40	90	23	1,5	1	39	50	32,5	6 300	8 500	7308B.TVP	0,626
	40	90	23	1,5	1	39	50	32,5	6 300	8 500	7308B.TVP.UA	0,626
	40	90	23	1,5	1	39	50	32,5	6 300	8 500	7308B.TVP.UO	0,626
45	45	85	19	1,1	0,6	37	36	26,5	6 300	8 500	7209B.TVP	0,414
	45	85	19	1,1	0,6	37	36	26,5	6 300	8 500	7209B.TVP.UA	0,414
	45	85	19	1,1	0,6	37	36	26,5	6 300	8 500	7209B.TVP.UO	0,414
	45	100	25	1,5	1	43	60	40	5 600	7 500	7309B.TVP	0,835
	45	100	25	1,5	1	43	60	40	5 600	7 500	7309B.TVP.UA	0,835
	45	100	25	1,5	1	43	60	40	5 600	7 500	7309B.TVP.UO	0,835
50	50	80	16	1	0,6	20	26,4	22,4	5 500	7 500	7010MP	0,290
	50	80	16	1	0,6	20	26,4	22,4	5 500	7 500	7010MP.UA	0,290
	50	80	16	1	0,6	20	26,4	22,4	5 500	7 500	7010MP.UO	0,290
	50	90	20	1,1	0,6	39	37,5	28,5	6 000	8 000	7210B.TVP	0,466
	50	90	20	1,1	0,6	39	37,5	28,5	6 000	8 000	7210B.TVP.UA	0,466
	50	90	20	1,1	0,6	39	37,5	28,5	6 000	8 000	7210B.TVP.UO	0,466
	50	110	27	2	1	47	69,5	47,5	5 300	7 000	7310B.TVP	1,08
	50	110	27	2	1	47	69,5	47,5	5 300	7 000	7310B.TVP.UA	1,08
55	55	100	21	1,5	1	43	46,5	36	5 300	7 000	7211B.TVP	0,633
	55	100	21	1,5	1	43	46,5	36	5 300	7 000	7211B.TVP.UA	0,633
	55	100	21	1,5	1	43	46,5	36	5 300	7 000	7211B.TVP.UO	0,633
	55	120	29	2	1	51	78	56	4 800	6 300	7311B.TVP	1,41
	55	120	29	2	1	51	78	56	4 800	6 300	7311B.TVP.UA	1,41
	55	120	29	2	1	51	78	56	4 800	6 300	7311B.TVP.UO	1,41
60	60	110	22	1,5	1	47	56	44	4 800	6 300	7212B.TVP	0,798
	60	110	22	1,5	1	47	56	44	4 800	6 300	7212B.TVP.UA	0,798
	60	110	22	1,5	1	47	56	44	4 800	6 300	7212B.TVP.UO	0,798
	60	130	31	2,1	1,1	55	90	65,5	4 300	5 600	7312B.TVP	1,81
	60	130	31	2,1	1,1	55	90	65,5	4 300	5 600	7312B.TVP.UA	1,81
	60	130	31	2,1	1,1	55	90	65,5	4 300	5 600	7312B.TVP.UO	1,81
65	65	120	23	1,5	1	50,5	64	53	4 500	6 000	7213B.TVP	1,03
	65	120	23	1,5	1	50,5	64	53	4 500	6 000	7213B.TVP.UA	1,03
	65	120	23	1,5	1	50,5	64	53	4 500	6 000	7213B.TVP.UO	1,03

Angular contact ball bearings

single-row



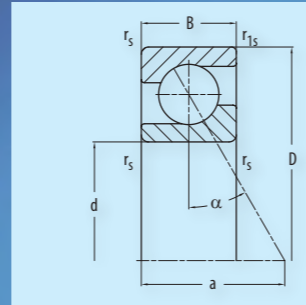
Angular contact ball bearings

single-row

Shaft	Dimension (mm)						Load rating (kN)		Speed limit (min ⁻¹)		Code	Weight (kg)
	d	D	B	r _s	r _{1s}	a	C	C ₀	Grease	Oil		
				min	min							
				dyn.	stat.							
65	65	140	33	2,1	1,1	60	102	75	4 000	5 300	7313B.TVP	2,16
	65	140	33	2,1	1,1	60	102	75	4 000	5 300	7313B.TVP.UA	2,16
	65	140	33	2,1	1,1	60	102	75	4 000	5 300	7313B.TVP.UO	2,16
70	70	125	24	1,5	1	53	69,5	58,5	4 300	5 600	7214B.TVP	1,14
	70	125	24	1,5	1	53	69,5	58,5	4 300	5 600	7214B.TVP.UA	1,14
	70	125	24	1,5	1	53	69,5	58,5	4 300	5 600	7214B.TVP.UO	1,14
	70	150	35	2,1	1,1	64	114	86,5	3 800	5 000	7314B.TVP	2,65
	70	150	35	2,1	1,1	64	114	86,5	3 800	5 000	7314B.TVP.UA	2,65
	70	150	35	2,1	1,1	64	114	86,5	3 800	5 000	7314B.TVP.UO	2,65
75	75	130	25	1,5	1	56	68	58,5	4 000	5 300	7215B.TVP	1,19
	75	130	25	1,5	1	56	68	58,5	4 000	5 300	7215B.TVP.UA	1,19
	75	130	25	1,5	1	56	68	58,5	4 000	5 300	7215B.TVP.UO	1,19
	75	160	37	2,1	1,1	68	127	100	3 400	4 500	7315B.TVP	3,17
	75	160	37	2,1	1,1	68	127	100	3 400	4 500	7315B.TVP.UA	3,17
	75	160	37	2,1	1,1	68	127	100	3 400	4 500	7315B.TVP.UO	3,17
80	80	140	26	2	1	59	80	69,5	3 800	5 000	7216B.TVP	1,46
	80	140	26	2	1	59	80	69,5	3 800	5 000	7216B.TVP.UA	1,46
	80	140	26	2	1	59	80	69,5	3 800	5 000	7216B.TVP.UO	1,46
	80	170	39	2,1	1,1	72	140	114	3 200	4 300	7316B.TVP	4,28
	80	170	39	2,1	1,1	72	140	114	3 200	4 300	7316B.TVP.UA	4,28
	80	170	39	2,1	1,1	72	140	114	3 200	4 300	7316B.TVP.UO	4,28
85	85	150	28	2	1	63	90	80	3 400	4 500	7217B.TVP	1,92
	85	150	28	2	1	63	90	80	3 400	4 500	7217B.TVP.UA	1,92
	85	150	28	2	1	63	90	80	3 400	4 500	7217B.TVP.UO	1,92
	85	180	41	3	1,1	76	150	127	3 000	4 000	7317B.TVP	4,58
	85	180	41	3	1,1	76	150	127	3 000	4 000	7317B.TVP.UA	4,58
	85	180	41	3	1,1	76	150	127	3 000	4 000	7317B.TVP.UO	4,58
90	90	160	30	2	1	67	106	93	3 200	4 300	7218B.TVP	2,35
	90	160	30	2	1	67	106	93	3 200	4 300	7218B.TVP.UA	2,35
	90	160	30	2	1	67	106	93	3 200	4 300	7218B.TVP.UO	2,35
	90	190	43	3	1,1	80	160	140	2 800	3 800	7318B.TVP	5,32
	90	190	43	3	1,1	80	160	140	2 800	3 800	7318B.TVP.UA	5,32
	90	190	43	3	1,1	80	160	140	2 800	3 800	7318B.TVP.UO	5,32
95	95	170	32	2,1	1,1	72	116	100	3 000	4 000	7219B.TVP	3,09
	95	170	32	2,1	1,1	72	116	100	3 000	4 000	7219B.TVP.UA	3,09
	95	170	32	2,1	1,1	72	116	100	3 000	4 000	7219B.TVP.UO	3,09

Angular contact ball bearings

single-row



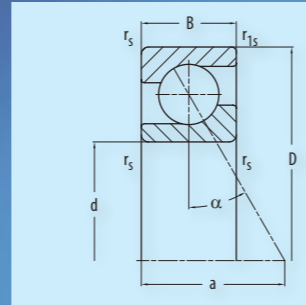
Angular contact ball bearings

single-row

Shaft	Dimension (mm)						Load rating (kN)		Speed limit (min ⁻¹)		Code	Weight (kg)
	d	D	B	r _s	r _{1s}	a	C	C ₀	Grease	Oil	Bearing	
				min	min							
				dyn.	stat.							
95	95	200	45	3	1,1	84	173	153	2 800	3 800	7319B.TVP	6,18
	95	200	45	3	1,1	84	173	153	2 800	3 800	7319B.TVP.UA	6,18
	95	200	45	3	1,1	84	173	153	2 800	3 800	7319B.TVP.UO	6,18
100	100	180	34	2,1	1,1	76	129	114	2 800	3 800	7220B.TVP	3,41
	100	180	34	2,1	1,1	76	129	114	2 800	3 800	7220B.TVP.UA	3,41
	100	180	34	2,1	1,1	76	129	114	2 800	3 800	7220B.TVP.UO	3,41
	100	215	47	3	1,1	90	193	180	2 600	3 600	7320B.TVP	7,65
	100	215	47	3	1,1	90	193	180	2 600	3 600	7320B.TVP.UA	7,65
	100	215	47	3	1,1	90	193	180	2 600	3 600	7320B.TVP.UO	7,65
105	105	190	36	2,1	1,1	80	143	129	2 800	3 800	7221B.MP	4,40
	105	190	36	2,1	1,1	80	143	129	2 800	3 800	7221B.MP.UA	4,40
	105	190	36	2,1	1,1	80	143	129	2 800	3 800	7221B.MP.UO	4,40
	105	225	49	3	1,1	94	208	200	2 400	3 400	7321B.MP	9,46
	105	225	49	3	1,1	94	208	200	2 400	3 400	7321B.MP.UA	9,46
	105	225	49	3	1,1	94	208	200	2 400	3 400	7321B.MP.UO	9,46
110	110	200	38	2,1	1,1	84	153	143	2 600	3 600	7222B.TVP	4,72
	110	200	38	2,1	1,1	84	153	143	2 600	3 600	7222B.TVP.UA	4,72
	110	200	38	2,1	1,1	84	153	143	2 600	3 600	7222B.TVP.UO	4,72
	110	240	50	3	1,1	98	224	224	2 400	3 400	7322B.TVP	10,4
	110	240	50	3	1,1	98	224	224	2 400	3 400	7322B.TVP.UA	10,4
	110	240	50	3	1,1	98	224	224	2 400	3 400	7322B.TVP.UO	10,4
120	120	215	40	2,1	1,1	90	166	160	3 400	4 300	7224B.MP	5,51
	120	215	40	2,1	1,1	90	166	160	3 400	4 300	7224B.MP.UA	5,51
	120	215	40	2,1	1,1	90	166	160	3 400	4 300	7224B.MP.UO	5,51
	120	260	55	3	1,1	107	250	260	2 200	3 000	7324B.MP	12,4
	120	260	55	3	1,1	107	250	260	2 200	3 000	7324B.MP.UA	12,4
	120	260	55	3	1,1	107	250	260	2 200	3 000	7324B.MP.UO	12,4
130	130	230	40	3	1,1	96	186	190	2 200	3 200	7226B.TVP	7,01
	130	230	40	3	1,1	96	186	190	2 200	3 200	7226B.TVP.UA	7,01
	130	230	40	3	1,1	96	186	190	2 200	3 200	7226B.TVP.UO	7,01
	130	280	58	4	1,5	115	275	300	2 000	3 000	7326B.TVP	15,1
	130	280	58	4	1,5	115	275	300	2 000	3 000	7326B.TVP.UA	15,1
	130	280	58	4	1,5	115	275	300	2 000	3 000	7326B.TVP.UO	15,1
140	140	250	42	3	1,1	103	196	212	2 000	3 000	7228B.MP	8,55
	140	250	42	3	1,1	103	196	212	2 000	3 000	7228B.MP.UA	8,55
	140	250	42	3	1,1	103	196	212	2 000	3 000	7228B.MP.UO	8,55

Angular contact ball bearings

single-row



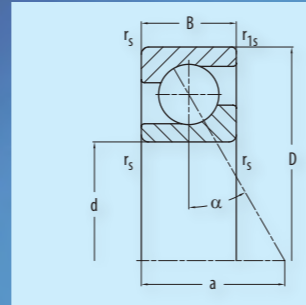
Angular contact ball bearings

single-row

Shaft	Dimension (mm)						Load rating (kN)		Speed limit (min ⁻¹)		Code	Weight (kg)
	d	D	B	r _s	r _{1s}	a	C	C ₀	Grease	Oil	Bearing	
				min	min							
				dyn.	stat.							
140	140	300	62	4	1,5	123	300	340	1 800	2 600	7328B.MP	20,4
	140	300	62	4	1,5	123	300	340	1 800	2 600	7328B.MP.UA	20,4
	140	300	62	4	1,5	123	300	340	1 800	2 600	7328B.MP.UO	20,4
150	150	270	45	3	1,1	111	224	255	1 900	2 800	7230B.MP	10,9
	150	270	45	3	1,1	111	224	255	1 900	2 800	7230B.MP.UA	10,9
	150	270	45	3	1,1	111	224	255	1 900	2 800	7230B.MP.UO	10,9
	150	320	65	4	1,5	131	325	390	1 700	2 400	7330B.MP	24,8
	150	320	65	4	1,5	131	325	390	1 700	2 400	7330B.MP.UA	24,8
	150	320	65	4	1,5	131	325	390	1 700	2 400	7330B.MP.UO	24,8
160	160	240	38	2,1	1,1	77	160	160	2 000	3 000	7032MP	6,06
	160	240	38	2,1	1,1	77	160	160	2 000	3 000	7032MP.UA	6,06
	160	240	38	2,1	1,1	77	160	160	2 000	3 000	7032MP.UO	6,06
	160	290	48	3	1,1	118	236	280	1 800	2 600	7232B.MP	13,5
	160	290	48	3	1,1	118	236	280	1 800	2 600	7232B.MP.UA	13,5
	160	290	48	3	1,1	118	236	280	1 800	2 600	7232B.MP.UO	13,5
	160	340	68	4	1,5	139	360	450	1 600	2 200	7332B.MP	29,0
	160	340	68	4	1,5	139	360	450	1 600	2 200	7332B.MP.UA	29,0
	160	340	68	4	1,5	139	360	450	1 600	2 200	7332B.MP.UO	29,0
170	170	260	42	2,1	1,1	79	190	196	1 900	2 800	7034MP	7,90
	170	260	42	2,1	1,1	79	190	196	1 900	2 800	7034MP.UA	7,90
	170	260	42	2,1	1,1	79	190	196	1 900	2 800	7034MP.UO	7,90
	170	310	52	4	1,5	127	265	325	1 700	2 400	7234B.MP	16,7
	170	310	52	4	1,5	127	265	325	1 700	2 400	7234B.MP.UA	16,7
	170	310	52	4	1,5	127	265	325	1 700	2 400	7234B.MP.UO	16,7
	170	360	72	4	1,5	147	375	477	1 500	2 000	7334B.MP	34,3
	170	360	72	4	1,5	147	375	477	1 500	2 000	7334B.MP.UA	34,3
	170	360	72	4	1,5	147	375	477	1 500	2 000	7334B.MP.UO	34,3
180	180	280	46	2,1	1,1	89	216	228	1 700	2 400	7036MP	10,5
	180	280	46	2,1	1,1	89	216	228	1 700	2 400	7036MP.UA	10,5
	180	280	46	2,1	1,1	89	216	228	1 700	2 400	7036MP.UO	10,5
	180	320	52	4	1,5	131	291	375	1 600	2 400	7236B.MP	17,6
	180	320	52	4	1,5	131	291	375	1 600	2 400	7236B.MP.UA	17,6
	180	320	52	4	1,5	131	291	375	1 600	2 400	7236B.MP.UO	17,6
	180	380	75	4	2	156	410	540	1 500	2 000	7336B.MP	40,0
	180	380	75	4	2	156	410	540	1 500	2 000	7336B.MP.UA	40,0
	180	380	75	4	2	156	410	540	1 500	2 000	7336B.MP.UO	40,0

Angular contact ball bearings

single-row



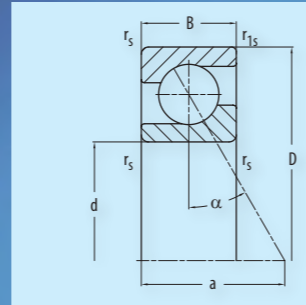
Angular contact ball bearings

single-row

Shaft	Dimension (mm)						Load rating (kN)		Speed limit (min ⁻¹)		Code	Weight (kg)
	d	D	B	r _s	r _{1s}	a	C	C ₀	Grease	Oil		
				min	min							
				dyn.	stat.							
190	190	260	33	2	1	81	145	165	1 800	2 600	71938MP	5,20
	190	260	33	2	1	81	145	165	1 800	2 600	71938MP.UA	5,20
	190	260	33	2	1	81	145	165	1 800	2 600	71938MP.UO	5,20
	190	290	46	2,1	1,1	92	220	240	1 700	2 400	7038MP	11,0
	190	290	46	2,1	1,1	92	220	240	1 700	2 400	7038MP.UA	11,0
	190	290	46	2,1	1,1	92	220	240	1 700	2 400	7038MP.UO	11,0
	190	340	55	4	1,5	139	307	405	1 500	2 200	7238B.MP	21,9
	190	340	55	4	1,5	139	307	405	1 500	2 200	7238B.MP.UA	21,9
	190	340	55	4	1,5	139	307	405	1 500	2 200	7238B.MP.UO	21,9
	190	400	78	5	2	164	442	600	1 400	1 900	7338B.MP	48,3
	190	400	78	5	2	164	442	600	1 400	1 900	7338B.MP.UA	48,3
	190	400	78	5	2	164	442	600	1 400	1 900	7338B.MP.UO	48,3
200	200	280	38	2,1	1,1	88	180	220	1 700	2 400	71940MP	7,30
	200	280	38	2,1	1,1	88	180	220	1 700	2 400	71940MP.UA	7,30
	200	280	38	2,1	1,1	88	180	220	1 700	2 400	71940MP.UO	7,30
	200	310	51	2,1	1,1	99	250	285	1 600	2 200	7040B.MP	14,2
	200	310	51	2,1	1,1	99	250	285	1 600	2 200	7040B.MP.UA	14,2
	200	310	51	2,1	1,1	99	250	285	1 600	2 200	7040B.MP.UO	14,2
	200	360	58	4	1,5	147	325	430	1 400	2 000	7240B.MP	25,0
	200	360	58	4	1,5	147	325	430	1 400	2 000	7240B.MP.UA	25,0
	200	360	58	4	1,5	147	325	430	1 400	2 000	7240B.MP.UO	25,0
	200	420	80	5	2	172	462	655	1 300	1 800	7340B.MP	52,8
	200	420	80	5	2	172	462	655	1 300	1 800	7340B.MP.UA	52,8
	200	420	80	5	2	172	462	655	1 300	1 800	7340B.MP.UO	52,8
220	220	300	38	2,1	1,1	94	190	230	1 500	2 000	71944MP	7,90
	220	300	38	2,1	1,1	94	190	230	1 500	2 000	71944MP.UA	7,90
	220	300	38	2,1	1,1	94	190	230	1 500	2 000	71944MP.UO	7,90
	220	340	56	3	1,1	109	285	340	1 400	1 900	7044B.MP	18,7
	220	340	56	3	1,1	109	285	340	1 400	1 900	7044B.MP.UA	18,7
	220	340	56	3	1,1	109	285	340	1 400	1 900	7044B.MP.UO	18,7
	220	400	65	4	1,5	164	390	560	1 200	1 800	7244B.MP	35,2
	220	400	65	4	1,5	164	390	560	1 200	1 800	7244B.MP.UA	35,2
	220	400	65	4	1,5	164	390	560	1 200	1 800	7244B.MP.UO	35,2
	220	460	88	5	2	187	530	680	1 200	1 700	7344B.MP	71,5
	220	460	88	5	2	187	530	680	1 200	1 700	7344B.MP.UA	71,5
	220	460	88	5	2	187	530	680	1 200	1 700	7344B.MP.UO	71,5

Angular contact ball bearings

single-row



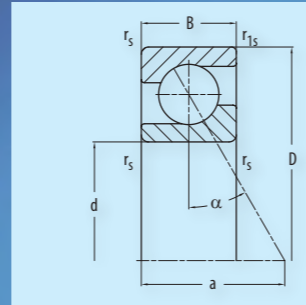
Angular contact ball bearings

single-row

Shaft	Dimension (mm)						Load rating (kN)		Speed limit (min ⁻¹)		Code	Weight (kg)
	d	D	B	r _s	r _{1s}	a	C	C ₀	Grease	Oil		
				min	min							
				dyn.	stat.							
240	240	320	38	2,1	1,1	99,8	190	240	1 400	1 900	71948MP	8,50
	240	320	38	2,1	1,1	99,8	190	240	1 400	1 900	71948MP.UA	8,50
	240	320	38	2,1	1,1	99,8	190	240	1 400	1 900	71948MP.UO	8,50
	240	360	56	3	1,1	115	300	375	1 300	1 800	7048B.MP	20,1
	240	360	56	3	1,1	115	300	375	1 300	1 800	7048B.MP.UA	20,1
	240	360	56	3	1,1	115	300	375	1 300	1 800	7048B.MP.UO	20,1
	240	440	72	4	1,5	180	364	540	1 000	1 700	7248B.MP	49,0
	240	440	72	4	1,5	180	364	540	1 000	1 700	7248B.MP.UA	49,0
	240	440	72	4	1,5	180	364	540	1 000	1 700	7248B.MP.UO	49,0
	240	500	95	5	2	203	600	815	1 000	1 500	7348B.MP	90,6
	240	500	95	5	2	203	600	815	1 000	1 500	7348B.MP.UA	90,6
	240	500	95	5	2	203	600	815	1 000	1 500	7348B.MP.UO	90,6
260	260	360	46	2,1	1,1	112,5	250	330	1 300	1 800	71952MP	14,5
	260	360	46	2,1	1,1	112,5	250	330	1 300	1 800	71952MP.UA	14,5
	260	360	46	2,1	1,1	112,5	250	330	1 300	1 800	71952MP.UO	14,5
	260	400	65	4	1,5	128	365	480	1 200	1 700	7052B.MP	29,8
	260	400	65	4	1,5	128	365	480	1 200	1 700	7052B.MP.UA	29,8
	260	400	65	4	1,5	128	365	480	1 200	1 700	7052B.MP.UO	29,8
	260	480	80	5	2	196	507	780	800	1 500	7252B.MP	66,0
	260	480	80	5	2	196	507	780	800	1 500	7252B.MP.UA	66,0
	260	480	80	5	2	196	507	780	800	1 500	7252B.MP.UO	66,0
	260	540	102	6	3	219	655	930	1 000	1 500	7352B.MP	113
	260	540	102	6	3	219	655	930	1 000	1 500	7352B.MP.UA	113
	260	540	102	6	3	219	655	930	1 000	1 500	7352B.MP.UO	113
280	280	380	46	2,1	1,1	118,3	270	360	1 400	1 700	71956MP	15,2
	280	380	46	2,1	1,1	118,3	270	360	1 400	1 700	71956MP.UA	15,2
	280	380	46	2,1	1,1	118,3	270	360	1 400	1 700	71956MP.UO	15,2
	280	420	65	4	1,5	133	365	510	1 100	1 600	7056MP	31,6
	280	420	65	4	1,5	133	365	510	1 100	1 600	7056MP.UA	31,6
	280	420	65	4	1,5	133	365	510	1 100	1 600	7056MP.UO	31,6
	280	500	80	5	2	204	500	800	1 200	1 600	7256B.MP	68,9
	280	500	80	5	2	204	500	800	1 200	1 600	7256B.MP.UA	68,9
	280	500	80	5	2	204	500	800	1 200	1 600	7256B.MP.UO	68,9
	280	580	108	6	3	234	735	1 100	900	1 400	7356B.MP	140
	280	580	108	6	3	234	735	1 100	900	1 400	7356B.MP.UA	140
	280	580	108	6	3	234	735	1 100	900	1 400	7356B.MP.UO	140

Angular contact ball bearings

single-row



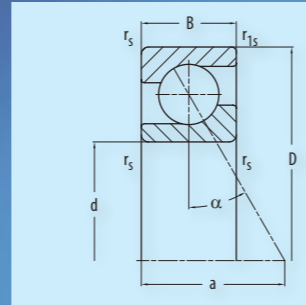
Angular contact ball bearings

single-row

Shaft	Dimension (mm)						Load rating (kN)		Speed limit (min ⁻¹)		Code	Weight (kg)
	d	D	B	r _s	r _{1s}	a	C	C ₀	Grease	Oil	Bearing	
				min	min							
				dyn.	stat.							
300	300	420	56	3	1,1	131,9	320	460	1 100	1 600	71960MP	24,2
	300	420	56	3	1,1	131,9	320	460	1 100	1 600	71960MP.UA	24,2
	300	420	56	3	1,1	131,9	320	460	1 100	1 600	71960MP.UO	24,2
	300	460	74	4	1,5	147	360	590	1 000	1 500	7060B.MP	44,9
	300	460	74	4	1,5	147	360	590	1 000	1 500	7060B.MP.UA	44,9
	300	460	74	4	1,5	147	360	590	1 000	1 500	7060B.MP.UO	44,9
	300	540	85	5	2	219	560	944	1 100	1 500	7260B.MP	87,1
	300	540	85	5	2	219	560	944	1 100	1 500	7260B.MP.UA	87,1
	300	540	85	5	2	219	560	944	1 100	1 500	7260B.MP.UO	87,1
	300	620	109	7,5	4	247	750	1 200	900	1 400	7360B.MP	163
	300	620	109	7,5	4	247	750	1 200	900	1 400	7360B.MP.UA	163
	300	620	109	7,5	4	247	750	1 200	900	1 400	7360B.MP.UO	163
320	320	440	56	3	1,1	137,7	340	520	1 000	1 500	71964MP	25,6
	320	440	56	3	1,1	137,7	340	520	1 000	1 500	71964MP.UA	25,6
	320	440	56	3	1,1	137,7	340	520	1 000	1 500	71964MP.UO	25,6
	320	480	74	4	1,5	152	440	670	1 000	1 500	7064MP	47,1
	320	480	74	4	1,5	152	440	670	1 000	1 500	7064MP.UA	47,1
	320	480	74	4	1,5	152	440	670	1 000	1 500	7064MP.UO	47,1
	320	580	92	5	2	235	610	1 055	1 000	1 400	7264B.MP	109
	320	580	92	5	2	235	610	1 055	1 000	1 400	7264B.MP.UA	109
	320	580	92	5	2	235	610	1 055	1 000	1 400	7264B.MP.UO	109
	320	670	112	7,5	4	264	780	1 290	900	1 400	7364B.MP	200
	320	670	112	7,5	4	264	780	1 290	900	1 400	7364B.MP.UA	200
	320	670	112	7,5	4	264	780	1 290	900	1 400	7364B.MP.UO	200
340	340	460	56	3	1,1	143,7	360	540	1 000	1 500	71968MP	26,7
	340	460	56	3	1,1	143,7	360	540	1 000	1 500	71968MP.UA	26,7
	340	460	56	3	1,1	143,7	360	540	1 000	1 500	71968MP.UO	26,7
	340	520	82	5	2	165	520	815	900	1 300	7068B.MP	63,5
	340	520	82	5	2	165	520	815	900	1 300	7068B.MP.UA	63,5
	340	520	82	5	2	165	520	815	900	1 300	7068B.MP.UO	63,5
	340	620	92	6	3	247	580	1 090	900	1 300	7268B.MP	125
	340	620	92	6	3	247	580	1 090	900	1 300	7268B.MP.UA	125
	340	620	92	6	3	247	580	1 090	900	1 300	7268B.MP.UO	125
	340	710	118	7,5	4	279	865	1 500	700	1 200	7368B.MP	242
	340	710	118	7,5	4	279	865	1 500	700	1 200	7368B.MP.UA	242
	340	710	118	7,5	4	279	865	1 500	700	1 200	7368B.MP.UO	242

Angular contact ball bearings

single-row



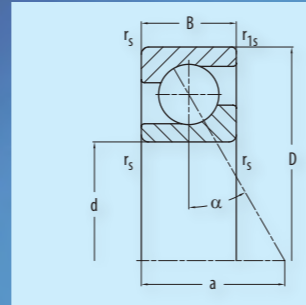
Angular contact ball bearings

single-row

Shaft	Dimension (mm)						Load rating (kN)		Speed limit (min ⁻¹)		Code	Weight (kg)
	d	D	B	r _s	r _{1s}	a	C	C ₀	Grease	Oil		
				min	min							
				dyn.	stat.							
360	360	480	56	3	1,1	149,2	360	550	950	1 400	71972MP	28,2
	360	480	56	3	1,1	149,2	360	550	950	1 400	71972MP.UA	28,2
	360	480	56	3	1,1	149,2	360	550	950	1 400	71972MP.UO	28,2
	360	540	82	5	2	171	460	850	850	1 200	7072B.MP	66,5
	360	540	82	5	2	171	460	850	850	1 200	7072B.MP.UA	66,5
	360	540	82	5	2	171	460	850	850	1 200	7072B.MP.UO	66,5
	360	650	95	6	3	259	695	1 180	600	1 100	7272B.MP	144
	360	650	95	6	3	259	695	1 180	600	1 100	7272B.MP.UA	144
	360	650	95	6	3	259	695	1 180	600	1 100	7272B.MP.UO	144
	360	750	125	7,5	4	295	900	1 600	500	1 000	7372B.MP	287
	360	750	125	7,5	4	295	900	1 600	500	1 000	7372B.MP.UA	287
	360	750	125	7,5	4	295	900	1 600	500	1 000	7372B.MP.UO	287
380	380	520	65	4	1,5	162	400	655	850	1 200	71976MP	40,4
	380	520	65	4	1,5	162	400	655	850	1 200	71976MP.UA	40,4
	380	520	65	4	1,5	162	400	655	850	1 200	71976MP.UO	40,4
	380	560	82	5	2	177	540	900	850	1 200	7076MP	69,4
	380	560	82	5	2	177	540	900	850	1 200	7076MP.UA	69,4
	380	560	82	5	2	177	540	900	850	1 200	7076MP.UO	69,4
	380	680	95	6	3	270	710	1 250	500	1 000	7276B.MP	157
	380	680	95	6	3	270	710	1 250	500	1 000	7276B.MP.UA	157
	380	680	95	6	3	270	710	1 250	500	1 000	7276B.MP.UO	157
	380	780	128	7,5	4	307	950	1 700	450	900	7376B.MP	314
	380	780	128	7,5	4	307	950	1 700	450	900	7376B.MP.UA	314
	380	780	128	7,5	4	307	950	1 700	450	900	7376B.MP.UO	314
400	400	540	65	4	1,5	168	415	695	850	1 200	71980MP	42,2
	400	540	65	4	1,5	168	415	695	850	1 200	71980MP.UA	42,2
	400	540	65	4	1,5	168	415	695	850	1 200	71980MP.UO	42,2
	400	600	90	5	2	189	600	1 040	800	1 100	7080MP	89,9
	400	600	90	5	2	189	600	1 040	800	1 100	7080MP.UA	89,9
	400	600	90	5	2	189	600	1 040	800	1 100	7080MP.UO	89,9
	400	680	95	6	3	270	710	1 250	400	950	7280B.MP	195
	400	680	95	6	3	270	710	1 250	400	950	7280B.MP.UA	195
	400	680	95	6	3	270	710	1 250	400	950	7280B.MP.UO	195
	400	820	136	7,5	4	324	1 020	1 930	400	800	7380B.MP	368
	400	820	136	7,5	4	324	1 020	1 930	400	800	7380B.MP.UA	368
	400	820	136	7,5	4	324	1 020	1 930	400	800	7380B.MP.UO	368

Angular contact ball bearings

single-row



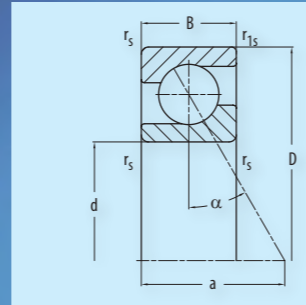
Angular contact ball bearings

single-row

Shaft	Dimension (mm)						Load rating (kN)		Speed limit (min ⁻¹)		Code	Weight (kg)
	d	D	B	r _s	r _{1s}	a	C	C ₀	Grease	Oil		
				min	min							
				dyn.	stat.							
420	420	560	65	4	1,5	174	415	710	800	1 100	71984MP	44,0
	420	560	65	4	1,5	174	415	710	800	1 100	71984MP.UA	44,0
	420	560	65	4	1,5	174	415	710	800	1 100	71984MP.UO	44,0
	420	620	90	5	2	195	620	1 080	750	1 000	7084MP	93,4
	420	620	90	5	2	195	620	1 080	750	1 000	7084MP.UA	93,4
	420	620	90	5	2	195	620	1 080	750	1 000	7084MP.UO	93,4
440	440	600	74	4	1,5	187	500	900	750	1 000	71988MP	61,0
	440	600	74	4	1,5	187	500	900	750	1 000	71988MP.UA	61,0
	440	600	74	4	1,5	187	500	900	750	1 000	71988MP.UO	61,0
	440	650	94	6	3	204	655	1 200	700	950	7088MP	107
	440	650	94	6	3	204	655	1 200	700	950	7088MP.UA	107
	440	650	94	6	3	204	655	1 200	700	950	7088MP.UO	107
460	460	620	74	4	1,5	193	500	915	700	950	71992MP	63,3
	460	620	74	4	1,5	193	500	915	700	950	71992MP.UA	63,3
	460	620	74	4	1,5	193	500	915	700	950	71992MP.UO	63,3
	460	680	100	6	3	214	710	1 320	670	900	7092MP	125
	460	680	100	6	3	214	710	1 320	670	900	7092MP.UA	125
	460	680	100	6	3	214	710	1 320	670	900	7092MP.UO	125
480	480	650	78	5	2	202	540	1 000	700	950	71996MP	74,1
	480	650	78	5	2	202	540	1 000	700	950	71996MP.UA	74,1
	480	650	78	5	2	202	540	1 000	700	950	71996MP.UO	74,1
	480	700	100	6	3	220	720	1 370	670	910	7096MP	129
	480	700	100	6	3	220	720	1 370	670	910	7096MP.UA	129
	480	700	100	6	3	220	720	1 370	670	910	7096MP.UO	129
500	500	670	78	5	2	208	550	1 060	670	900	719/500MP	76,9
	500	670	78	5	2	208	550	1 060	670	900	719/500MP.UA	76,9
	500	670	78	5	2	208	550	1 060	670	900	719/500MP.UO	76,9
	500	720	100	6	3	226	735	1 430	630	850	70/500MP	134
	500	720	100	6	3	226	735	1 430	630	850	70/500MP.UA	134
	500	720	100	6	3	226	735	1 430	630	850	70/500MP.UO	134
530	530	710	82	5	2	220	610	1 220	630	850	719/530MP	91,7
	530	710	82	5	2	220	610	1 220	630	850	719/530MP.UA	91,7
	530	710	82	5	2	220	610	1 220	630	850	719/530MP.UO	91,7
	530	780	112	6	3	245	850	1 730	600	800	70/530MP	188
	530	780	112	6	3	245	850	1 730	600	800	70/530MP.UA	188
	530	780	112	6	3	245	850	1 730	600	800	70/530MP.UO	188

Angular contact ball bearings

single-row



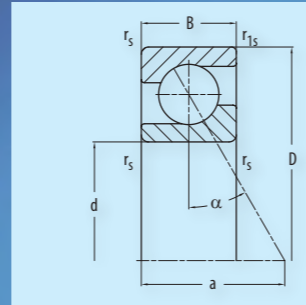
Angular contact ball bearings

single-row

Shaft	Dimension (mm)						Load rating (kN)		Speed limit (min ⁻¹)		Code	Weight (kg)
	d	D	B	r _s	r _{1s}	a	C	C ₀	Grease	Oil	Bearing	
				min	min							
				dyn.	stat.							
560	560	750	85	5	2	232	655	1 320	600	800	719/560MP	105
	560	750	85	5	2	232	655	1 320	600	800	719/560MP.UA	105
	560	750	85	5	2	232	655	1 320	600	800	719/560MP.UO	105
	560	820	115	6	3	257	930	2 000	560	750	70/560MP	213
	560	820	115	6	3	257	930	2 000	560	750	70/560MP.UA	213
	560	820	115	6	3	257	930	2 000	560	750	70/560MP.UO	213
600	600	800	90	5	2	247	710	1 530	560	750	719/600MP	126
	600	800	90	5	2	247	710	1 530	560	750	719/600MP.UA	126
	600	800	90	5	2	247	710	1 530	560	750	719/600MP.UO	126
	600	870	118	6	3	271	980	2 120	530	700	70/600MP	241
	600	870	118	6	3	271	980	2 120	530	700	70/600MP.UA	241
	600	870	118	6	3	271	980	2 120	530	700	70/600MP.UO	241
630	630	850	100	6	3	264	780	1 700	530	700	719/630MP	168
	630	850	100	6	3	264	780	1 700	530	700	719/630MP.UA	168
	630	850	100	6	3	264	780	1 700	530	700	719/630MP.UO	168
	630	920	128	7,5	4	287	1 080	2 450	500	670	70/630MP	297
	630	920	128	7,5	4	287	1 080	2 450	500	670	70/630MP.UA	297
	630	920	128	7,5	4	287	1 080	2 450	500	670	70/630MP.UO	297
670	670	900	103	6	3	278	850	1 930	500	670	719/670MP	193
	670	900	103	6	3	278	850	1 930	500	670	719/670MP.UA	193
	670	900	103	6	3	278	850	1 930	500	670	719/670MP.UO	193
	670	980	136	7,5	4	306	1 200	2 800	480	630	70/670MP	361
	670	980	136	7,5	4	306	1 200	2 800	480	630	70/670MP.UA	361
	670	980	136	7,5	4	306	1 200	2 800	480	630	70/670MP.UO	361
710	710	950	106	6	3	293	900	2 080	450	600	719/710MP	220
	710	950	106	6	3	293	900	2 080	450	600	719/710MP.UA	220
	710	950	106	6	3	293	900	2 080	450	600	719/710MP.UO	220
	710	1 030	140	7,5	4	321	1 250	3 000	450	600	70/710MP	402
	710	1 030	140	7,5	4	321	1 250	3 000	450	600	70/710MP.UA	402
	710	1 030	140	7,5	4	321	1 250	3 000	450	600	70/710MP.UO	402
750	750	1 000	112	6	3	309	965	2 360	430	560	719/750MP	255
	750	1 000	112	6	3	309	965	2 360	430	560	719/750MP.UA	255
	750	1 000	112	6	3	309	965	2 360	430	560	719/750MP.UO	255
	750	1 090	150	7,5	4	341	1 370	3 400	430	560	70/750MP	484
	750	1 090	150	7,5	4	341	1 370	3 400	430	560	70/750MP.UA	484
	750	1 090	150	7,5	4	341	1 370	3 400	430	560	70/750MP.UO	484

Angular contact ball bearings

single-row



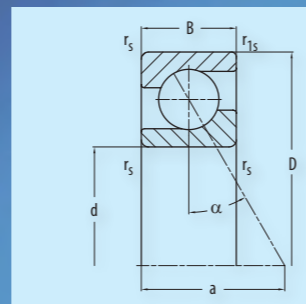
Angular contact ball bearings

single-row

Shaft	Dimension (mm)						Load rating (kN)		Speed limit (min ⁻¹)		Code	Weight (kg)
	d	D	B	r _s	r _{1s}	a	C	C ₀	Grease	Oil	Bearing	
				min	min							
				dyn.	stat.							
800	800	1 060	115	6	3	326	1 040	2 600	370	500	719/800MP	290
	800	1 060	115	6	3	326	1 040	2 600	370	500	719/800MP.UA	290
	800	1 060	115	6	3	326	1 040	2 600	370	500	719/800MP.UO	290
	800	1 150	155	7,5	4	359	1 460	3 750	370	500	70/800MP	546
	800	1 150	155	7,5	4	359	1 460	3 750	370	500	70/800MP.UA	546
	800	1 150	155	7,5	4	359	1 460	3 750	370	500	70/800MP.UO	546
850	850	1 120	118	6	3	343	1 100	2 850	370	500	719/850MP	328
	850	1 120	118	6	3	343	1 100	2 850	370	500	719/850MP.UA	328
	850	1 120	118	6	3	343	1 100	2 850	370	500	719/850MP.UO	328
	850	1 220	165	7,5	4	381	1 560	4 250	350	480	70/850MP	651
	850	1 220	165	7,5	4	381	1 560	4 250	350	480	70/850MP.UA	651
	850	1 220	165	7,5	4	381	1 560	4 250	350	480	70/850MP.UO	651
900	900	1 180	122	6	3	361	1 160	3 100	340	470	719/900MP	373
	900	1 180	122	6	3	361	1 160	3 100	340	470	719/900MP.UA	373
	900	1 180	122	6	3	361	1 160	3 100	340	470	719/900MP.UO	373
	900	1 280	170	7,5	4	400	1 600	4 400	300	430	70/900MP	725
	900	1 280	170	7,5	4	400	1 600	4 400	300	430	70/900MP.UA	725
	900	1 280	170	7,5	4	400	1 600	4 400	300	430	70/900MP.UO	725
950	950	1 250	132	7,5	4	384	1 270	3 550	300	430	719/950MP	454
	950	1 250	132	7,5	4	384	1 270	3 550	300	430	719/950MP.UA	454
	950	1 250	132	7,5	4	384	1 270	3 550	300	430	719/950MP.UO	454
	950	1 360	180	7,5	4	423	1 830	5 200	270	400	70/950MP	881
	950	1 360	180	7,5	4	423	1 830	5 200	270	400	70/950MP.UA	881
	950	1 360	180	7,5	4	423	1 830	5 200	270	400	70/950MP.UO	881
1 000	1 000	1 320	140	7,5	4	405	1 370	3 900	270	400	719/1000MP	543
	1 000	1 320	140	7,5	4	405	1 370	3 900	270	400	719/1000MP.UA	543
	1 000	1 320	140	7,5	4	405	1 370	3 900	270	400	719/1000MP.UO	543
	1 000	1 420	185	7,5	4	442	1 860	5 500	250	380	70/1000MP	971
	1 000	1 420	185	7,5	4	442	1 860	5 500	250	380	70/1000MP.UA	971
	1 000	1 420	185	7,5	4	442	1 860	5 500	250	380	70/1000MP.UO	971
1 060	1 060	1 400	150	7,5	4	430	1 460	4 300	210	340	719/1060MP	653
	1 060	1 400	150	7,5	4	430	1 460	4 300	210	340	719/1060MP.UA	653
	1 060	1 400	150	7,5	4	430	1 460	4 300	210	340	719/1060MP.UO	653
1 120	1 120	1 460	150	7,5	4	447	1 500	4 550	190	320	719/1120MP	685
	1 120	1 460	150	7,5	4	447	1 500	4 550	190	320	719/1120MP.UA	685
	1 120	1 460	150	7,5	4	447	1 500	4 550	190	320	719/1120MP.UO	685

Angular contact ball bearings

single-row



Angular contact ball bearings

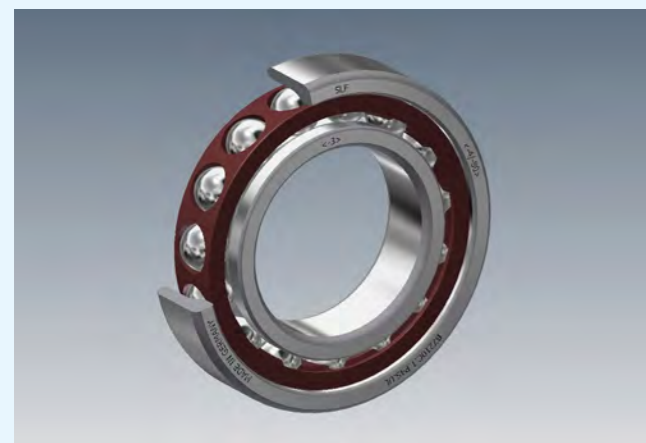
single-row

Shaft	Dimension (mm)						Load rating (kN)		Speed limit (min ⁻¹)		Code Bearing	Weight (kg)
	d	D	B	r _s	r _{1s}	a	C	C ₀	Grease	Oil		
				min	min		dyn.	stat.				
1 180	1 180	1 540	160	7,5	4	473	1 630	5 100	150	280	719/1180MP	815
	1 180	1 540	160	7,5	4	473	1 630	5 100	150	280	719/1180MP.UA	815
	1 180	1 540	160	7,5	4	473	1 630	5 100	150	280	719/1180MP.UO	815
1 250	1 250	1 630	170	7,5	4	501	1 760	5 700	130	260	719/1250MP	966
	1 250	1 630	170	7,5	4	501	1 760	5 700	130	260	719/1250MP.UA	966
	1 250	1 630	170	7,5	4	501	1 760	5 700	130	260	719/1250MP.UO	966

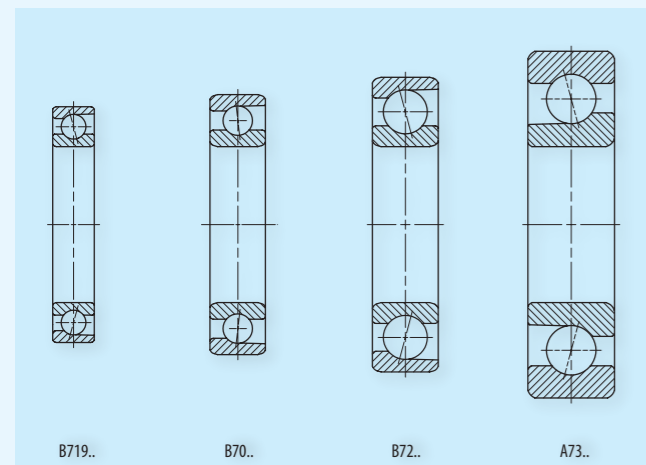
Spindle bearings

Spindle bearings are a specific version of the single-row angular contact ball bearings. They are specifically used in machine tool construction, but also in other fields where highest requirements must be met in terms of precision and/or the admissible speed.

Spindle bearings differ from the standard angular contact ball bearings by contact angle, tolerance classes and cage design. Spindle bearings are available with a contact angle of 15° resp. 25°.



Spindle bearing



Series spindle bearings

Spindle bearings are produced in series B719, B70, B72 and A73. Combinations such as HCB70 and HCB719 with ceramic balls instead of steel balls are available on request.

We recommend bearing rings made from Cronidur 30 of series XCB and XC for highly loaded spindle bearings.

The spindle bearings are supplied in universal design as standard. Types of universal designs and arrangement of the bearings are described in section single-row angular contact ball bearings.

Cage

The standard cage of spindle bearings is a window cage guided on the outer ring made of hard fabric. The cage can be used for longer periods at temperatures of up to 100 °C.

Tolerances

Spindle bearings are mainly produced in tolerance class P4S. Tolerance classes P4, P2, P2S or HG are available on request.

The dimensional tolerances of bore and outer diameter of spindle bearings are divided into max. three sorting ranges.

The medium dimension of the ranges is indicated as actual value parameter in µm at the outer ring (e.g. <-3>) resp. inner ring (e.g. <-1>).

In addition, the actual deviation from the nominal dimension of the bearing width is indicated in µm at the outer ring (e.g. <-3/-70>).

The label of the package shows the actual value parameters without deviation of the bearing width (e.g. *-1/-3*).

Heat treatment

Spindle bearings are heat treated so that they can be used dimensionally stable up to an operating temperature of 150° C – bearings with an outer diameter above 240 mm up to an operating temperature of 200° C. For temperatures above 100° C a different cage material should be selected, e.g. brass.

Sealed spindle bearings

The bearings are equipped with sealing discs that do not contact the inner ring shoulder diameter at both sides (suffix .2RSD).

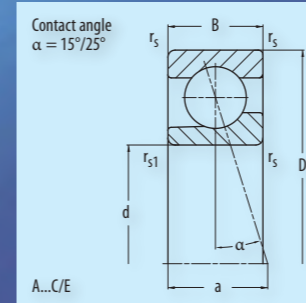
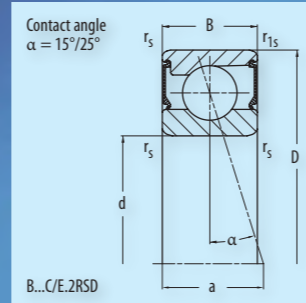
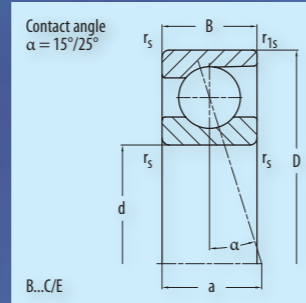
The sealed version of spindle bearings is greased standardly by grease Turmogrease Highspeed L252 of the manufacturer Lubcon.

Furthermore spindle bearings with direct lubrication (DLR) (one lubrication groove and two lubrication bores in the outer ring) are available on request. For application using oil minimal lubrication lubricant herewith can be guided directly to the point of contact between ball and raceway.

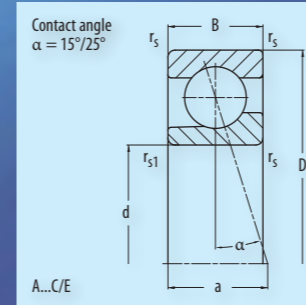
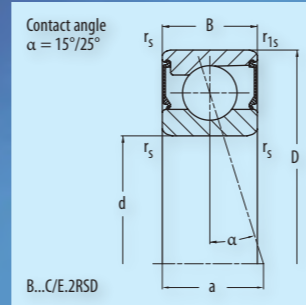
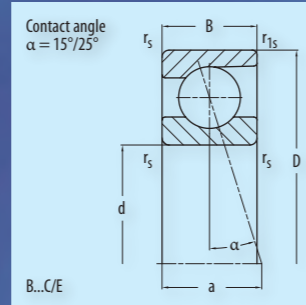
Please see also our separate catalogue for high-precision bearings.

K5-tolerances of spindle bearing (Dimensions in mm)

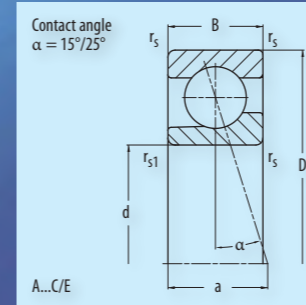
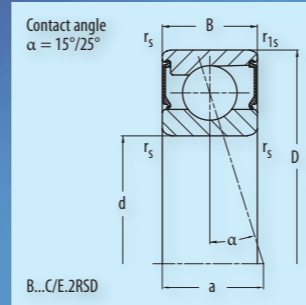
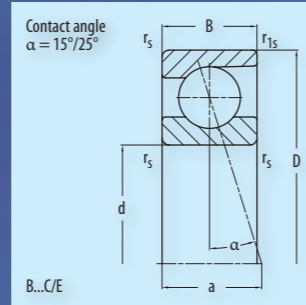
Nominal dimension of bearing	over up to	10 18	18 30	30 50	50 80	80 120	120 180	180 250	250 315	315 400
tolerance class	deviation									
		Δ_{dmp} for the bore					Δ_{Dmp} for the outer diameter			
P4/P4S		-1 -3	-1,5 -3,5	-1,5 -4	-2 -5	-2 -5,5	-3 -7	-4 -8	-5 -11	-6 -13
HG		-1 -3	-1 -3	-1 -3	-1,5 -3,5	-2 -4	-2 -4	-2 -4	-2 -6	-3 -7
P2/P2S		0 -2	0 -2	0 -2	-1 -3	-1,5 -3,5	-2 -5	-2 -6	-3 -7	-4 -8



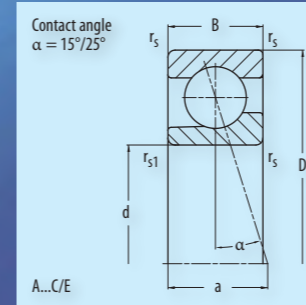
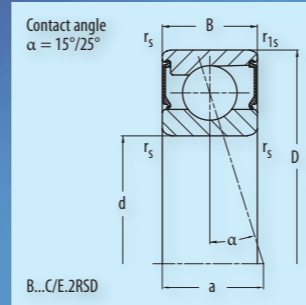
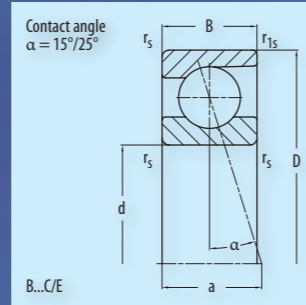
Shaft	Dimension (mm)						Load rating (kN)		Speed limit (min ⁻¹)		Code	Weight (kg)
	d	D	B	a	rs	r1s	C	C ₀	Grease	Oil		
					min	min	dyn.	stat.				
17	17	35	10	8	0,30	0,15	8,7	5,2	43 000		B7003C.2RSD.T.P4S.UL	0,040
	17	35	10	11	0,30	0,15	8,2	5,0	38 000		B7003E.2RSD.T.P4S.UL	0,040
	17	35	10	8	0,30	0,15	8,7	5,2	43 000	63 000	B7003C.T.P4S.UL	0,040
	17	35	10	11	0,30	0,15	8,2	5,0	38 000	56 000	B7003E.T.P4S.UL	0,040
	17	40	12	10	0,60	0,30	11,3	6,1	38 000		B7203C.2RSD.T.P4S.UL	0,060
	17	40	12	13	0,60	0,30	10,8	5,9	36 000		B7203E.2RSD.T.P4S.UL	0,060
	17	40	12	10	0,60	0,30	11,3	6,1	38 000	56 000	B7203C.T.P4S.UL	0,060
	17	40	12	13	0,60	0,30	10,8	5,9	36 000	53 000	B7203E.T.P4S.UL	0,060
	17	47	14	11,3	1,00	0,60	14,5	7,9	29 000	48 000	A7303C.T.P4S.UL	0,120
	17	47	14	14,5	1,00	0,60	13,9	7,6	26 000	43 000	A7303E.T.P4S.UL	0,120
20	20	37	9	8	0,30	0,30	8,6	5,1	38 000		B71904C.2RSD.T.P4S.UL	0,034
	20	37	9	11	0,30	0,30	8,2	4,9	36 000		B71904E.2RSD.T.P4S.UL	0,034
	20	37	9	8	0,30	0,30	8,6	5,1	38 000	56 000	B71904C.T.P4S.UL	0,034
	20	37	9	11	0,30	0,30	8,2	4,9	36 000	53 000	B71904E.T.P4S.UL	0,034
	20	42	12	10	0,60	0,30	11,0	7,0	36 000		B7004C.2RSD.T.P4S.UL	0,069
	20	42	12	13	0,60	0,30	10,5	6,7	32 000		B7004E.2RSD.T.P4S.UL	0,069
	20	42	12	10	0,60	0,30	11,0	7,0	36 000	53 000	B7004C.T.P4S.UL	0,069
	20	42	12	13	0,60	0,30	10,5	6,7	32 000	48 000	B7004E.T.P4S.UL	0,069
	20	47	14	12	1,00	0,60	13,0	8,0	32 000		B7204C.2RSD.T.P4S.UL	0,108
	20	47	14	15	1,00	0,60	12,3	7,7	30 000		B7204E.2RSD.T.P4S.UL	0,108
	20	47	14	12	1,00	0,60	13,0	8,0	32 000	48 000	B7204C.T.P4S.UL	0,108
	20	47	14	15	1,00	0,60	12,3	7,7	30 000	45 000	B7204E.T.P4S.UL	0,108
	20	52	15	12,3	1,10	0,60	18,5	9,9	26 000	42 000	A7304C.T.P4S.UL	0,150
	20	52	15	15,9	1,10	0,60	17,9	9,6	23 000	38 000	A7304E.T.P4S.UL	0,150
25	25	42	9	9	0,30	0,30	9,0	5,8	32 000		B71905C.2RSD.T.P4S.UL	0,040
	25	42	9	12	0,30	0,30	8,5	5,5	30 000		B71905E.2RSD.T.P4S.UL	0,040
	25	42	9	9	0,30	0,30	9,0	5,8	32 000	48 000	B71905C.T.P4S.UL	0,040
	25	42	9	12	0,30	0,30	8,5	5,5	30 000	45 000	B71905E.T.P4S.UL	0,040
	25	47	12	11	0,60	0,30	12,5	7,7	30 000		B7005C.2RSD.T.P4S.UL	0,084
	25	47	12	14	0,60	0,30	11,9	7,4	28 000		B7005E.2RSD.T.P4S.UL	0,084
	25	47	12	11	0,60	0,30	12,5	7,7	30 000	45 000	B7005C.T.P4S.UL	0,084
	25	47	12	14	0,60	0,30	11,9	7,4	28 000	43 000	B7005E.T.P4S.UL	0,084
	25	52	15	13	1,00	0,60	14,3	9,9	28 000		B7205C.2RSD.T.P4S.UL	0,133
	25	52	15	17	1,00	0,60	13,6	9,5	26 000		B7205E.2RSD.T.P4S.UL	0,133
	25	52	15	13	1,00	0,60	14,3	9,9	28 000	43 000	B7205C.T.P4S.UL	0,133
	25	52	15	17	1,00	0,60	13,6	9,5	26 000	40 000	B7205E.T.P4S.UL	0,133



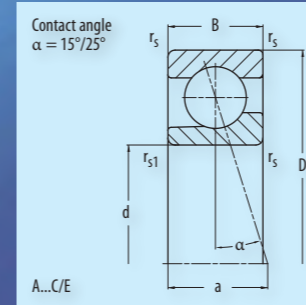
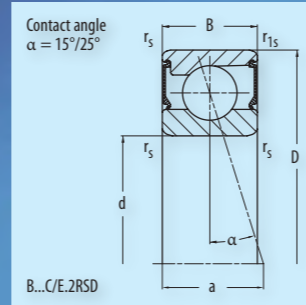
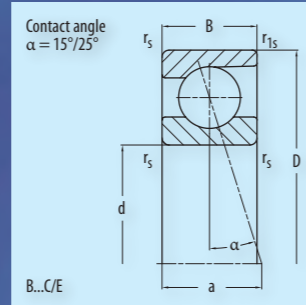
Shaft	Dimension (mm)						Load rating (kN)		Speed limit (min ⁻¹)		Code	Weight (kg)
	d	D	B	a	r _s	r _{1s}	C	C ₀	Grease	Oil		
					min	min	dyn.	stat.				
25	25	62	17	14,3	1,10	1,10	26,3	15,2	30 000	47 500	A7305C.T.P4S.UL	0,222
	25	62	17	18,6	1,10	1,10	25,5	14,8	26 500	43 000	A7305E.T.P4S.UL	0,222
30	30	47	9	10	0,30	0,30	8,1	5,8	28 000		B71906C.2RSD.T.P4S.UL	0,046
	30	47	9	14	0,30	0,30	7,6	5,4	26 000		B71906E.2RSD.T.P4S.UL	0,046
	30	47	9	10	0,30	0,30	8,1	5,8	28 000	43 000	B71906C.T.P4S.UL	0,046
	30	47	9	14	0,30	0,30	7,6	5,4	26 000	40 000	B71906E.T.P4S.UL	0,046
	30	55	13	14	1,00	0,60	14,1	10,7	26 000		B7006C.2RSD.T.P4S.UL	0,117
	30	55	13	16	1,00	0,60	13,4	9,9	24 000		B7006E.2RSD.T.P4S.UL	0,117
	30	55	13	14	1,00	0,60	14,1	10,7	26 000	40 000	B7006C.T.P4S.UL	0,117
	30	55	13	16	1,00	0,60	13,4	9,9	24 000	38 000	B7006E.T.P4S.UL	0,117
	30	62	16	14	1,00	0,60	20,8	14,8	24 000		B7206C.2RSD.T.P4S.UL	0,204
	30	62	16	19	1,00	0,60	19,8	14,1	22 000		B7206E.2RSD.T.P4S.UL	0,204
	30	62	16	14	1,00	0,60	20,8	14,8	24 000	38 000	B7206C.T.P4S.UL	0,204
	30	62	16	19	1,00	0,60	19,8	14,1	22 000	36 000	B7206E.T.P4S.UL	0,204
	30	72	19	16,3	1,10	1,10	32,1	20,0	25 500	40 500	A7306C.T.P4S.UL	0,329
	30	72	19	21,4	1,10	1,10	31,0	19,4	23 000	37 000	A7306E.T.P4S.UL	0,329
35	35	55	10	11	0,60	0,30	10,2	7,5	24 000		B71907C.2RSD.T.P4S.UL	0,076
	35	55	10	16	0,60	0,30	9,6	7,0	22 000		B71907E.2RSD.T.P4S.UL	0,076
	35	55	10	11	0,60	0,30	10,2	7,5	24 000	38 000	B71907C.T.P4S.UL	0,076
	35	55	10	16	0,60	0,30	9,6	7,0	22 000	36 000	B71907E.T.P4S.UL	0,076
	35	62	14	14	1,00	0,60	16,0	12,7	22 000		B7007C.2RSD.T.P4S.UL	0,157
	35	62	14	18	1,00	0,60	15,1	11,8	20 000		B7007E.2RSD.T.P4S.UL	0,157
	35	62	14	14	1,00	0,60	16,0	12,7	22 000	36 000	B7007C.T.P4S.UL	0,157
	35	62	14	18	1,00	0,60	15,1	11,8	20 000	34 000	B7007E.T.P4S.UL	0,157
	35	72	17	16	1,10	0,60	25,4	19,4	20 000		B7207C.2RSD.T.P4S.UL	0,296
	35	72	17	21	1,10	0,60	24,1	18,5	19 000		B7207E.2RSD.T.P4S.UL	0,296
	35	72	17	16	1,10	0,60	25,4	19,4	20 000	34 000	B7207C.T.P4S.UL	0,296
	35	72	17	21	1,10	0,60	24,1	18,5	19 000	32 000	B7207E.T.P4S.UL	0,296
	35	80	21	18,2	1,50	1,10	40,3	25,6	22 000	36 000	A7307C.T.P4S.UL	0,428
	35	80	21	23,9	1,50	1,10	38,8	25,0	21 000	32 500	A7307E.T.P4S.UL	0,428
40	40	62	12	13	0,60	0,30	16,0	13,0	22 000		B71908C.2RSD.T.P4S.UL	0,105
	40	62	12	18	0,60	0,30	15,1	12,3	20 000		B71908E.2RSD.T.P4S.UL	0,105
	40	62	12	13	0,60	0,30	16,0	13,0	22 000	36 000	B71908C.T.P4S.UL	0,105
	40	62	12	18	0,60	0,30	15,1	12,3	20 000	34 000	B71908E.T.P4S.UL	0,105



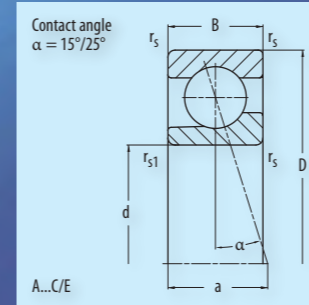
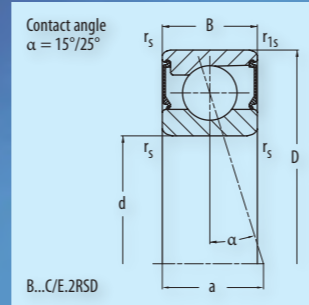
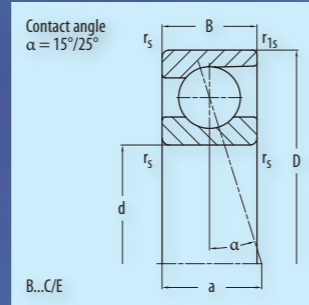
Shaft	Dimension (mm)						Load rating (kN)		Speed limit (min ⁻¹)		Code	Weight (kg)
	d	D	B	a	rs	r1s	C	C ₀	Grease	Oil		
					min	min	dyn.	stat.				
40	40	68	15	15	1,00	0,60	16,9	14,0	20 000		B7008C.2RSD.T.P4S.UL	0,196
	40	68	15	20	1,00	0,60	15,9	13,0	19 000		B7008E.2RSD.T.P4S.UL	0,196
	40	68	15	15	1,00	0,60	16,9	14,0	20 000	34 000	B7008C.T.P4S.UL	0,196
	40	68	15	20	1,00	0,60	15,9	13,0	19 000	32 000	B7008E.T.P4S.UL	0,196
	40	80	18	17	1,10	1,10	35,0	25,3	18 000		B7208C.2RSD.T.P4S.UL	0,364
	40	80	18	23	1,10	1,10	33,3	24,2	17 000		B7208E.2RSD.T.P4S.UL	0,364
	40	80	18	17	1,10	1,10	35,0	25,3	18 000	30 000	B7208C.T.P4S.UL	0,364
	40	80	18	23	1,10	1,10	33,3	24,2	17 000	28 000	B7208E.T.P4S.UL	0,364
	40	90	23	20,2	1,50	1,50	47,7	32,5	21 000	32 500	A7308C.T.P4S.UL	0,622
	40	90	23	26,7	1,50	1,50	45,7	31,1	18 500	29 000	A7308E.T.P4S.UL	0,622
45	45	68	12	14	0,60	0,30	16,8	14,7	19 000		B71909C.2RSD.T.P4S.UL	0,126
	45	68	12	19	0,60	0,30	15,9	13,7	18 000		B71909E.2RSD.T.P4S.UL	0,126
	45	68	12	14	0,60	0,30	16,8	14,7	19 000	32 000	B71909C.T.P4S.UL	0,126
	45	68	12	19	0,60	0,30	15,9	13,7	18 000	30 000	B71909E.T.P4S.UL	0,126
	45	75	16	16	1,00	0,60	22,8	19,6	18 000		B7009C.2RSD.T.P4S.UL	0,236
	45	75	16	22	1,00	0,60	21,5	18,2	17 000		B7009E.2RSD.T.P4S.UL	0,236
	45	75	16	16	1,00	0,60	22,8	19,6	18 000	30 000	B7009C.T.P4S.UL	0,236
	45	75	16	22	1,00	0,60	21,5	18,2	17 000	28 000	B7009E.T.P4S.UL	0,236
	45	85	19	18	1,10	1,10	41,0	30,6	17 000		B7209C.2RSD.T.P4S.UL	0,408
	45	85	19	25	1,10	1,10	39,0	29,3	15 000		B7209E.2RSD.T.P4S.UL	0,408
	45	85	19	18	1,10	1,10	41,0	30,6	17 000	28 000	B7209C.T.P4S.UL	0,408
	45	85	19	25	1,10	1,10	39,0	29,3	15 000	24 000	B7209E.T.P4S.UL	0,408
	45	100	25	22,2	1,50	1,50	57,6	40,2	18 500	29 000	A7309C.T.P4S.UL	0,829
	45	100	25	29,4	1,50	1,50	55,2	38,4	16 000	23 000	A7309E.T.P4S.UL	0,829
50	50	72	12	14	0,60	0,30	17,1	15,3	18 000		B71910C.2RSD.T.P4S.UL	0,129
	50	72	12	20	0,60	0,30	16,1	14,2	16 000		B71910E.2RSD.T.P4S.UL	0,129
	50	72	12	14	0,60	0,30	17,1	15,3	18 000	30 000	B71910C.T.P4S.UL	0,129
	50	72	12	20	0,60	0,30	16,1	14,2	16 000	26 000	B71910E.T.P4S.UL	0,129
	50	80	16	17	1,00	0,60	28,2	25,5	17 000		B7010C.2RSD.T.P4S.UL	0,262
	50	80	16	23	1,00	0,60	26,6	22,8	15 000		B7010E.2RSD.T.P4S.UL	0,262
	50	80	16	17	1,00	0,60	28,2	25,5	17 000	28 000	B7010C.T.P4S.UL	0,262
	50	80	16	23	1,00	0,60	26,6	22,8	15 000	24 000	B7010E.T.P4S.UL	0,262
	50	90	20	19	1,10	1,10	44,6	36,1	16 000		B7210C.2RSD.T.P4S.UL	0,459
	50	90	20	26	1,10	1,10	42,3	34,5	14 000		B7210E.2RSD.T.P4S.UL	0,459
	50	90	20	19	1,10	1,10	44,6	36,1	16 000	26 000	B7210C.T.P4S.UL	0,459
	50	90	20	26	1,10	1,10	42,3	34,5	14 000	22 000	B7210E.T.P4S.UL	0,459



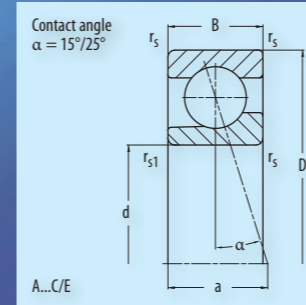
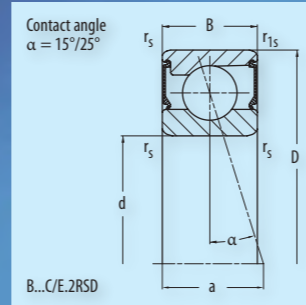
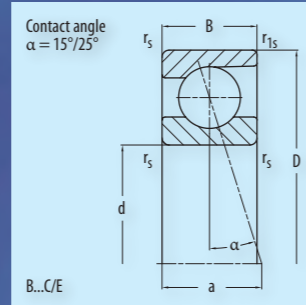
Shaft	Dimension (mm)						Load rating (kN)		Speed limit (min ⁻¹)		Code	Weight (kg)
	d	D	B	a	rs	r1s	C	C ₀	Grease	Oil		
					min	min	dyn.	stat.				
50	50	110	27	24,2	2,00	2,00	69,7	47,8	16 000	26 500	A7310C.T.P4S.UL	1,07
	50	110	27	32,2	2,00	2,00	66,9	45,7	15 000	23 000	A7310E.T.P4S.UL	1,07
55	55	80	13	16	1,00	0,60	20,9	18,8	16 000		B71911C.2RSD.T.P4S.UL	0,176
	55	80	13	22	1,00	0,60	19,7	17,5	15 000		B71911E.2RSD.T.P4S.UL	0,176
	55	80	13	16	1,00	0,60	20,9	18,8	16 000	26 000	B71911C.T.P4S.UL	0,176
	55	80	13	22	1,00	0,60	19,7	17,5	15 000	24 000	B71911E.T.P4S.UL	0,176
	55	90	18	19	1,10	1,00	36,8	33,4	15 000		B7011C.2RSD.T.P4S.UL	0,383
	55	90	18	26	1,10	1,00	34,7	31,0	14 000		B7011E.2RSD.T.P4S.UL	0,383
	55	90	18	19	1,10	1,00	36,8	33,4	15 000	24 000	B7011C.T.P4S.UL	0,383
	55	90	18	26	1,10	1,00	34,7	31,0	14 000	22 000	B7011E.T.P4S.UL	0,383
	55	100	21	21	1,50	1,10	53,0	42,7	14 000		B7211C.2RSD.T.P4S.UL	0,608
	55	100	21	29	1,50	1,10	50,3	40,8	13 000		B7211E.2RSD.T.P4S.UL	0,608
	55	100	21	21	1,50	1,10	53,0	42,7	14 000	22 000	B7211C.T.P4S.UL	0,608
	55	100	21	29	1,50	1,10	50,3	40,8	13 000	20 000	B7211E.T.P4S.UL	0,608
	55	120	29	26,2	2,00	2,00	74,3	54,1	15 000	24 500	A7311C.T.P4S.UL	1,36
	55	120	29	34,9	2,00	2,00	71,0	51,5	14 000	22 000	A7311E.T.P4S.UL	1,36
60	60	85	13	16	1,00	0,60	22,6	20,4	15 000		B71912C.2RSD.T.P4S.UL	0,190
	60	85	13	23	1,00	0,60	21,3	19,0	14 000		B71912E.2RSD.T.P4S.UL	0,190
	60	85	13	16	1,00	0,60	22,6	20,4	15 000	24 000	B71912C.T.P4S.UL	0,190
	60	85	13	23	1,00	0,60	21,3	19,0	14 000	22 000	B71912E.T.P4S.UL	0,190
	60	95	18	19	1,10	1,00	37,6	34,9	14 000		B7012C.2RSD.T.P4S.UL	0,410
	60	95	18	27	1,10	1,00	35,4	32,4	13 000		B7012E.2RSD.T.P4S.UL	0,410
	60	95	18	19	1,10	1,00	37,6	34,9	14 000	22 000	B7012C.T.P4S.UL	0,410
	60	95	18	27	1,10	1,00	35,4	32,4	13 000	20 000	B7012E.T.P4S.UL	0,410
	60	110	22	23	1,50	1,50	64,2	52,8	13 000		B7212C.2RSD.T.P4S.UL	0,782
	60	110	22	31	1,50	1,50	61,0	50,5	12 000		B7212E.2RSD.T.P4S.UL	0,782
	60	110	22	23	1,50	1,50	64,2	52,8	13 000	20 000	B7212C.T.P4S.UL	0,782
	60	110	22	31	1,50	1,50	61,0	50,5	12 000	19 000	B7212E.T.P4S.UL	0,782
	60	130	31	28,2	2,10	2,10	84,6	64,7	14 000	22 000	A7312C.T.P4S.UL	1,75
	60	130	31	37,6	2,10	2,10	80,9	61,6	12 500	19 500	A7312E.T.P4S.UL	1,75
65	65	90	13	17	1,00	0,60	22,9	21,1	14 000		B71913C.2RSD.T.P4S.UL	0,202
	65	90	13	25	1,00	0,60	21,5	19,6	13 000		B71913E.2RSD.T.P4S.UL	0,202
	65	90	13	17	1,00	0,60	22,9	21,1	14 000	22 000	B71913C.T.P4S.UL	0,202
	65	90	13	25	1,00	0,60	21,5	19,6	13 000	20 000	B71913E.T.P4S.UL	0,202



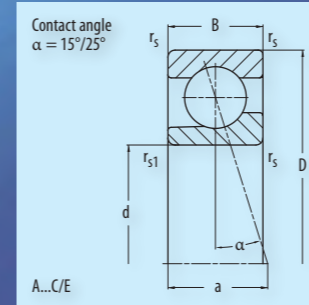
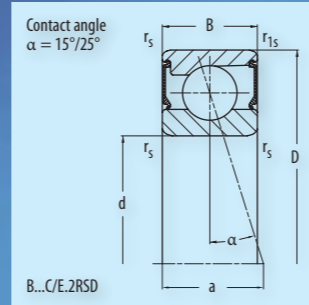
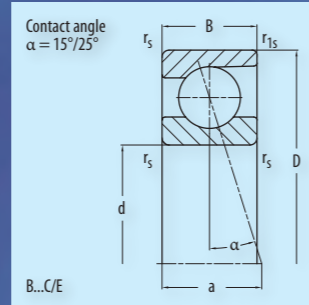
Shaft	Dimension (mm)						Load rating (kN)		Speed limit (min ⁻¹)		Code	Weight (kg)
	d	D	B	a	r _s	r _{1s}	C	C ₀	Grease	Oil		
					min	min	dyn.	stat.				
65	65	100	18	20	1,10	1,00	38,3	36,4	13 000		B7013C.2RSD.T.P4S.UL	0,435
	65	100	18	28	1,10	1,00	36,1	33,8	12 000		B7013E.2RSD.T.P4S.UL	0,435
	65	100	18	20	1,10	1,00	38,3	36,4	13 000	20 000	B7013C.T.P4S.UL	0,435
	65	100	18	28	1,10	1,00	36,1	33,8	12 000	19 000	B7013E.T.P4S.UL	0,435
	65	120	23	24	1,50	1,50	66,7	57,9	12 000		B7213C.2RSD.T.P4S.UL	0,997
	65	120	23	33	1,50	1,50	63,1	55,2	11 000		B7213E.2RSD.T.P4S.UL	0,997
	65	120	23	24	1,50	1,50	66,7	57,9	12 000	19 000	B7213C.T.P4S.UL	0,997
	65	120	23	33	1,50	1,50	63,1	55,2	11 000	18 000	B7213E.T.P4S.UL	0,997
70	70	100	16	19	1,00	0,60	31,7	29,6	13 000		B71914C.2RSD.T.P4S.UL	0,331
	70	100	16	28	1,00	0,60	29,8	27,5	12 000		B71914E.2RSD.T.P4S.UL	0,331
	70	100	16	19	1,00	0,60	31,7	29,6	13 000	20 000	B71914C.T.P4S.UL	0,331
	70	100	16	28	1,00	0,60	29,8	27,5	12 000	19 000	B71914E.T.P4S.UL	0,331
	70	110	20	22	1,10	1,00	47,8	47,3	12 000		B7014C.2RSD.T.P4S.UL	0,590
	70	110	20	31	1,10	1,00	45,0	44,0	11 000		B7014E.2RSD.T.P4S.UL	0,590
	70	110	20	22	1,10	1,00	47,8	47,3	12 000	19 000	B7014C.T.P4S.UL	0,590
	70	110	20	31	1,10	1,00	45,0	44,0	11 000	18 000	B7014E.T.P4S.UL	0,590
75	75	105	16	20	1,00	0,60	31,3	29,4	12 000		B71915C.2RSD.T.P4S.UL	0,351
	75	105	16	29	1,00	0,60	29,3	27,4	11 000		B71915E.2RSD.T.P4S.UL	0,351
	75	105	16	20	1,00	0,60	31,3	29,4	12 000	19 000	B71915C.T.P4S.UL	0,351
	75	105	16	29	1,00	0,60	29,3	27,4	11 000	18 000	B71915E.T.P4S.UL	0,351
	75	115	20	23	1,10	1,00	48,7	49,2	12 000		B7015C.2RSD.T.P4S.UL	0,620
	75	115	20	32	1,10	1,00	45,8	45,7	11 000		B7015E.2RSD.T.P4S.UL	0,620
	75	115	20	23	1,10	1,00	48,7	49,2	12 000	19 000	B7015C.T.P4S.UL	0,620
	75	115	20	32	1,10	1,00	45,8	45,7	11 000	18 000	B7015E.T.P4S.UL	0,620
80	80	110	16	21	1,00	0,60	32,5	31,7	12 000		B71916C.2RSD.T.P4S.UL	0,370
	80	110	16	30	1,00	0,60	30,5	29,6	11 000		B71916E.2RSD.T.P4S.UL	0,370
	80	110	16	21	1,00	0,60	32,5	31,7	12 000	19 000	B71916C.T.P4S.UL	0,370
	80	110	16	30	1,00	0,60	30,5	29,6	11 000	18 000	B71916E.T.P4S.UL	0,370
	80	125	22	25	1,10	1,00	58,1	58,3	11 000		B7016C.2RSD.T.P4S.UL	0,857
	80	125	22	35	1,10	1,00	54,7	54,2	9 500		B7016E.2RSD.T.P4S.UL	0,857
	80	125	22	25	1,10	1,00	58,1	58,3	11 000	18 000	B7016C.T.P4S.UL	0,857
	80	125	22	35	1,10	1,00	54,7	54,2	9 500	16 000	B7016E.T.P4S.UL	0,857



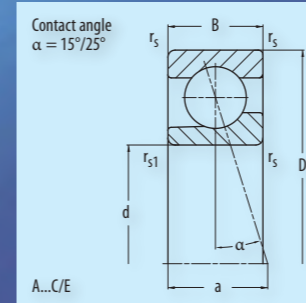
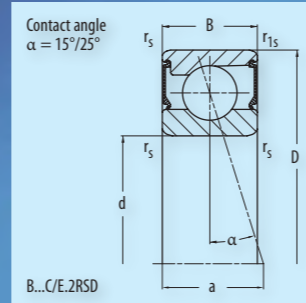
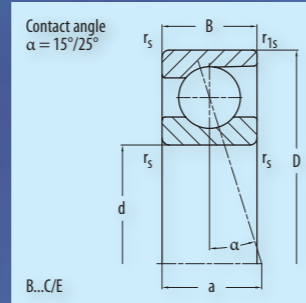
Shaft	Dimension (mm)						Load rating (kN)		Speed limit (min ⁻¹)		Code	Weight (kg)
	d	D	B	a	r _s	r _{1s}	C	C ₀	Grease	Oil		
					min	min	dyn.	stat.				
80	80	140	26	28	2,00	2,00	92,1	82,3	10 000	17 000	B7216C.T.P4S.UL	1,45
	80	140	26	39	2,00	2,00	87,3	78,5	9 000	15 000	B7216E.T.P4S.UL	1,45
85	85	120	18	23	1,10	1,00	41,9	43,3	11 000		B71917C.2RSD.T.P4S.UL	0,536
	85	120	18	33	1,10	1,00	39,4	40,3	9 500		B71917E.2RSD.T.P4S.UL	0,536
	85	120	18	23	1,10	1,00	41,9	43,3	11 000	18 000	B71917C.T.P4S.UL	0,536
	85	120	18	33	1,10	1,00	39,4	40,3	9 500	16 000	B71917E.T.P4S.UL	0,536
	85	130	22	25	1,10	1,00	59,3	60,8	10 000		B7017C.2RSD.T.P4S.UL	0,903
	85	130	22	36	1,10	1,00	55,9	56,5	9 000		B7017E.2RSD.T.P4S.UL	0,903
	85	130	22	25	1,10	1,00	59,3	60,8	10 000	17 000	B7017C.T.P4S.UL	0,903
	85	130	22	36	1,10	1,00	55,9	56,5	9 000	15 000	B7017E.T.P4S.UL	0,903
	85	150	28	30	2,00	2,00	96,0	85,2	9 000	15 000	B7217C.T.P4S.UL	1,85
	85	150	28	41	2,00	2,00	90,9	81,2	8 000	13 000	B7217E.T.P4S.UL	1,85
90	90	125	18	23	1,10	1,00	37,4	39,5	10 000		B71918C.2RSD.T.P4S.UL	0,565
	90	125	18	34	1,10	1,00	35,1	36,8	9 000		B71918E.2RSD.T.P4S.UL	0,565
	90	125	18	23	1,10	1,00	37,4	39,5	10 000	17 000	B71918C.T.P4S.UL	0,565
	90	125	18	34	1,10	1,00	35,1	36,8	9 000	15 000	B71918E.T.P4S.UL	0,565
	90	140	24	27	1,50	1,10	75,1	76,0	9 500		B7018C.2RSD.T.P4S.UL	1,18
	90	140	24	39	1,50	1,10	70,8	70,6	8 500		B7018E.2RSD.T.P4S.UL	1,18
	90	140	24	27	1,50	1,10	75,1	76,0	9 500	16 000	B7018C.T.P4S.UL	1,18
	90	140	24	39	1,50	1,10	70,8	70,6	8 500	14 000	B7018E.T.P4S.UL	1,18
	90	160	30	32	2,00	2,00	118,1	110,3	8 500	14 000	B7218C.T.P4S.UL	2,25
	90	160	30	44	2,00	2,00	111,9	105,3	7 500	12 000	B7218E.T.P4S.UL	2,25
95	95	130	18	24	1,10	1,00	43,3	46,6	9 500		B71919C.2RSD.T.P4S.UL	0,578
	95	130	18	35	1,10	1,00	40,7	43,4	8 500		B71919E.2RSD.T.P4S.UL	0,578
	95	130	18	24	1,10	1,00	43,3	46,6	9 500	16 000	B71919C.T.P4S.UL	0,578
	95	130	18	35	1,10	1,00	40,7	43,4	8 500	14 000	B71919E.T.P4S.UL	0,578
	95	145	24	28	1,50	1,10	72,2	74,4	9 000		B7019C.2RSD.T.P4S.UL	1,19
	95	145	24	40	1,50	1,10	68,0	62,2	8 000		B7019E.2RSD.T.P4S.UL	1,19
	95	145	24	28	1,50	1,10	72,2	74,4	9 000	15 000	B7019C.T.P4S.UL	1,19
	95	145	24	40	1,50	1,10	68,0	62,2	8 000	13 000	B7019E.T.P4S.UL	1,19
	95	170	32	34	2,10	2,10	117,9	107,3	8 000	13 000	B7219C.T.P4S.UL	2,72
	95	170	32	47	2,10	2,10	111,7	102,3	7 000	11 000	B7219E.T.P4S.UL	2,72
100	100	140	20	26	1,10	1,00	52,3	57,2	9 000		B71920C.2RSD.T.P4S.UL	0,882
	100	140	20	38	1,10	1,00	49,3	53,3	8 000		B71920E.2RSD.T.P4S.UL	0,882
	100	140	20	26	1,10	1,00	52,3	57,2	9 000	15 000	B71920C.T.P4S.UL	0,882
	100	140	20	38	1,10	1,00	49,3	53,3	8 000	13 000	B71920E.T.P4S.UL	0,882



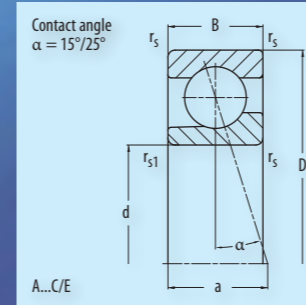
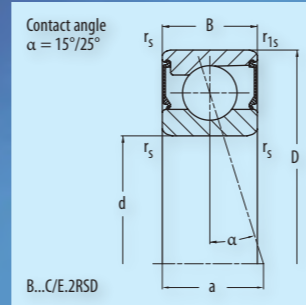
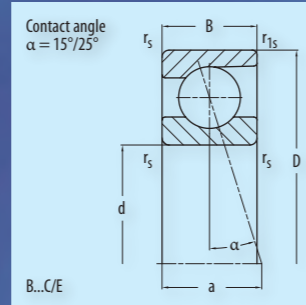
Shaft	Dimension (mm)						Load rating (kN)		Speed limit (min ⁻¹)		Code	Weight (kg)
	d	D	B	a	rs	r1s	C	C ₀	Grease	Oil		
					min	min	dyn.	stat.				
100	100	150	24	29	1,50	1,10	78,8	82,9	8 500		B7020C.2RSD.T.P4S.UL	1,28
	100	150	24	41	1,50	1,10	74,2	77,1	7 500		B7020E.2RSD.T.P4S.UL	1,28
	100	150	24	29	1,50	1,10	78,8	82,9	8 500	14 000	B7020C.T.P4S.UL	1,28
	100	150	24	41	1,50	1,10	74,2	77,1	7 500	12 000	B7020E.T.P4S.UL	1,28
	100	180	34	36	2,10	2,10	121,8	115,6	7 500	12 000	B7220C.T.P4S.UL	3,21
	100	180	34	50	2,10	2,10	115,2	110,1	6 700	10 000	B7220E.T.P4S.UL	3,21
105	105	145	20	27	1,10	1,00	52,3	55,9	8 500		B71921C.2RSD.T.P4S.UL	0,810
	105	145	20	39	1,10	1,00	49,1	52,1	7 500		B71921E.2RSD.T.P4S.UL	0,810
	105	145	20	27	1,10	1,00	52,3	55,9	8 500	14 000	B71921C.T.P4S.UL	0,810
	105	145	20	39	1,10	1,00	49,1	52,1	7 500	12 000	B71921E.T.P4S.UL	0,810
	105	160	26	31	2,00	1,10	98,8	98,8	8 000		B7021C.2RSD.T.P4S.UL	1,52
	105	160	26	44	2,00	1,10	93,2	91,7	7 000		B7021E.2RSD.T.P4S.UL	1,52
	105	160	26	31	2,00	1,10	98,8	98,8	8 000	13 000	B7021C.T.P4S.UL	1,52
	105	160	26	44	2,00	1,10	93,2	91,7	7 000	11 000	B7021E.T.P4S.UL	1,52
110	110	190	36	38	2,10	2,10	151,3	140,3	7 000	11 000	B7221C.T.P4S.UL	3,88
	110	190	36	52	2,10	2,10	143,4	133,8	6 300	9 500	B7221E.T.P4S.UL	3,88
	110	150	20	27	1,10	1,00	52,7	59,0	8 000		B71922C.2RSD.T.P4S.UL	0,850
	110	150	20	40	1,10	1,00	49,6	55,0	7 500		B71922E.2RSD.T.P4S.UL	0,850
	110	150	20	27	1,10	1,00	52,7	59,0	8 000	13 000	B71922C.T.P4S.UL	0,850
	110	150	20	40	1,10	1,00	49,6	55,0	7 500	12 000	B71922E.T.P4S.UL	0,850
	110	170	28	33	2,00	1,10	101,1	103,1	7 500		B7022C.2RSD.T.P4S.UL	1,94
	110	170	28	47	2,00	1,10	95,3	95,8	6 700		B7022E.2RSD.T.P4S.UL	1,94
120	120	170	28	33	2,00	1,10	101,1	103,1	7 500	12 000	B7022C.T.P4S.UL	1,94
	120	170	28	47	2,00	1,10	95,3	95,8	6 700	10 000	B7022E.T.P4S.UL	1,94
	120	200	38	40	2,10	2,10	150,3	142,1	6 700	10 000	B7222C.T.P4S.UL	4,59
	120	200	38	55	2,10	2,10	142,5	135,5	6 000	9 000	B7222E.T.P4S.UL	4,59
	120	165	22	30	1,10	1,00	65,1	73,4	7 000		B71924C.2RSD.T.P4S.UL	1,16
	120	165	22	44	1,10	1,00	61,2	68,4	6 700		B71924E.2RSD.T.P4S.UL	1,16
	120	165	22	30	1,10	1,00	65,1	73,4	7 000	11 000	B71924C.T.P4S.UL	1,16
	120	165	22	44	1,10	1,00	61,2	68,4	6 700	10 000	B71924E.T.P4S.UL	1,16
120	120	180	28	34	2,00	1,10	102,8	107,1	6 700		B7024C.2RSD.T.P4S.UL	2,07
	120	180	28	49	2,00	1,10	96,8	99,6	6 300		B7024E.2RSD.T.P4S.UL	2,07
	120	180	28	34	2,00	1,10	102,8	107,1	6 700	10 000	B7024C.T.P4S.UL	2,07
	120	180	28	49	2,00	1,10	96,8	99,6	6 300	9 500	B7024E.T.P4S.UL	2,07
	120	215	40	43	2,10	2,10	189,4	183,7	6 000	9 000	B7224C.T.P4S.UL	5,29
	120	215	40	59	2,10	2,10	180,1	175,6	5 300	8 000	B7224E.T.P4S.UL	5,29



Shaft	Dimension (mm)						Load rating (kN)		Speed limit (min ⁻¹)		Code	Weight (kg)
	d	D	B	a	rs	r1s	C	C ₀	Grease	Oil		
					min	min	dyn.	stat.				
130	130	180	24	33	1,50	1,10	78,2	87,7	7 000		B71926C.2RSD.T.P4S.UL	1,52
	130	180	24	48	1,50	1,10	73,5	81,7	6 700		B71926E.2RSD.T.P4S.UL	1,52
	130	180	24	33	1,50	1,10	78,2	87,7	7 000	10 000	B71926C.T.P4S.UL	1,52
	130	180	24	48	1,50	1,10	73,5	81,7	6 700	9 000	B71926E.T.P4S.UL	1,52
	130	200	33	39	2,00	1,10	131,8	141,1	6 700		B7026C.2RSD.T.P4S.UL	3,15
	130	200	33	55	2,00	1,10	124,3	132,8	6 000		B7026E.2RSD.T.P4S.UL	3,15
	130	200	33	39	2,00	1,10	131,8	141,1	6 700	9 000	B7026C.T.P4S.UL	3,15
	130	200	33	55	2,00	1,10	124,3	132,8	6 000	8 500	B7026E.T.P4S.UL	3,15
	130	230	40	44	3,00	3,00	197,0	201,0	5 600	8 500	B7226C.T.P4S.UL	6,10
	130	230	40	62	3,00	3,00	186,7	191,9	5 000	7 500	B7226E.T.P4S.UL	6,10
140	140	190	24	34	1,50	1,10	80,9	94,1	6 000		B71928C.2RSD.T.P4S.UL	1,63
	140	190	24	50	1,50	1,10	76,0	87,7	5 600		B71928E.2RSD.T.P4S.UL	1,63
	140	190	24	34	1,50	1,10	80,9	94,1	6 000	9 000	B71928C.T.P4S.UL	1,63
	140	190	24	50	1,50	1,10	76,0	87,7	5 600	8 500	B71928E.T.P4S.UL	1,63
	140	210	33	40	2,00	1,10	134,4	148,7	6 300		B7028C.2RSD.T.P4S.UL	3,34
	140	210	33	57	2,00	1,10	126,7	138,3	5 600		B7028E.2RSD.T.P4S.UL	3,34
	140	210	33	40	2,00	1,10	134,4	148,7	6 300	8 500	B7028C.T.P4S.UL	3,34
	140	210	33	57	2,00	1,10	126,7	138,3	5 600	7 500	B7028E.T.P4S.UL	3,34
	140	250	42	47	3,00	3,00	220,5	247,9	5 000	7 500	B7228C.T.P4S.UL	7,87
	140	250	42	66	3,00	3,00	208,8	236,3	4 500	6 700	B7228E.T.P4S.UL	7,87
150	150	210	28	38	2,00	1,10	110,3	124,5	5 600		B71930C.2RSD.T.P4S.UL	2,49
	150	210	28	56	2,00	1,10	103,6	115,9	5 000		B71930E.2RSD.T.P4S.UL	2,49
	150	210	28	38	2,00	1,10	110,3	124,5	5 600	8 500	B71930C.T.P4S.UL	2,49
	150	210	28	56	2,00	1,10	103,6	115,9	5 000	7 500	B71930E.T.P4S.UL	2,49
	150	225	35	43	2,10	1,50	167,5	183,5	5 300	8 000	B7030C.T.P4S.UL	3,99
	150	225	35	61	2,10	1,50	158,0	173,3	4 800	7 000	B7030E.T.P4S.UL	3,99
	150	270	45	51	3,00	3,00	226,9	268,2	4 500	6 700	B7230C.T.P4S.UL	10,1
	150	270	45	71	3,00	3,00	214,5	255,3	4 000	6 000	B7230E.T.P4S.UL	10,1
160	160	220	28	40	2,00	1,10	111,5	128,6	5 000	7 500	B71932C.T.P4S.UL	2,62
	160	220	28	58	2,00	1,10	104,8	119,8	4 800	7 000	B71932E.T.P4S.UL	2,62
	160	240	38	46	2,10	1,50	170,6	193,9	4 800	7 000	B7032C.T.P4S.UL	5,01
	160	240	38	66	2,10	1,50	160,8	180,3	4 300	6 300	B7032E.T.P4S.UL	5,01
	160	290	48	54	3,00	3,00	241,3	304,5	4 300	6 300	B7232C.T.P4S.UL	12,9
	160	290	48	76	3,00	3,00	227,8	289,5	3 800	5 600	B7232E.T.P4S.UL	12,9



Shaft	Dimension (mm)						Load rating (kN)		Speed limit (min ⁻¹)		Code	Weight (kg)
	d	D	B	a	rs	r1s	C	C ₀	Grease	Oil		
					min	min	dyn.	stat.				
170	170	230	28	41	2,00	1,10	115,5	137,7	4 800	7 000	B71934C.T.P4S.UL	2,78
	170	230	28	61	2,00	1,10	108,5	128,3	4 300	6 300	B71934E.T.P4S.UL	2,78
	170	260	42	50	2,10	2,10	216,7	252,3	4 500	6 700	B7034C.T.P4S.UL	6,51
	170	260	42	71	2,10	2,10	204,7	240,0	4 000	6 000	B7034E.T.P4S.UL	6,51
	170	310	52	58	4,00	4,00	276,4	349,0	3 800	5 600	B7234C.T.P4S.UL	15,6
	170	310	52	82	4,00	4,00	261,4	332,4	3 600	5 300	B7234E.T.P4S.UL	15,6
180	180	250	33	46	2,00	1,10	147,4	179,2	4 500	6 700	B71936C.T.P4S.UL	4,13
	180	250	33	67	2,00	1,10	138,6	166,9	4 000	6 000	B71936E.T.P4S.UL	4,13
	180	280	46	54	2,10	2,10	221,8	270,3	4 000	6 000	B7036C.T.P4S.UL	8,77
	180	280	46	77	2,10	2,10	209,3	256,9	3 800	5 600	B7036E.T.P4S.UL	8,77
	180	320	52	60	4,00	4,00	285,1	373,1	3 800	5 600	B7236C.T.P4S.UL	16,3
	180	320	52	84	4,00	4,00	269,4	355,2	3 400	5 000	B7236E.T.P4S.UL	16,3
190	190	260	33	47	2,00	1,10	149,3	185,1	4 300	6 300	B71938C.T.P4S.UL	4,31
	190	260	33	69	2,00	1,10	140,3	172,4	3 800	5 600	B71938E.T.P4S.UL	4,31
	190	290	46	55	2,10	2,10	227,5	287,0	3 800	5 600	B7038C.T.P4S.UL	9,18
	190	290	46	79	2,10	2,10	214,6	270,8	3 600	5 300	B7038E.T.P4S.UL	9,18
	190	340	55	63	4,00	4,00	292,4	399,1	3 400	5 000	B7238C.T.P4S.UL	20,0
	190	340	55	89	4,00	4,00	275,0	371,1	3 200	4 800	B7238E.T.P4S.UL	20,0
200	200	280	38	51	2,10	1,50	183,4	225,3	3 800	5 600	B71940C.T.P4S.UL	6,03
	200	280	38	75	2,10	1,50	172,5	209,8	3 600	5 300	B71940E.T.P4S.UL	6,03
	200	310	51	60	2,10	2,10	284,1	374,9	3 600	5 300	B7040C.T.P4S.UL	11,6
	200	310	51	85	2,10	2,10	268,4	354,3	3 200	4 800	B7040E.T.P4S.UL	11,6
	200	360	58	67	4,00	4,00	299,1	417,6	3 200	4 800	B7240C.T.P4S.UL	24,1
	200	360	58	94	4,00	4,00	282,1	388,1	3 000	4 500	B7240E.T.P4S.UL	24,1
220	220	300	38	54	2,10	1,50	193,6	250,0	3 600	5 300	B71944C.T.P4S.UL	6,57
	220	300	38	80	2,10	1,50	182,0	232,9	3 200	4 800	B71944E.T.P4S.UL	6,57
	220	340	56	66	3,00	3,00	299,1	417,6	3 200	4 800	B7044C.T.P4S.UL	15,7
	220	340	56	93	3,00	3,00	282,1	388,1	3 000	4 500	B7044E.T.P4S.UL	15,7
	220	400	65	74	4,00	4,00	364,3	527,0	2 800	4 300	B7244C.T.P4S.UL	33,0
	220	400	65	104	4,00	4,00	344,3	501,5	2 600	4 000	B7244E.T.P4S.UL	33,0
240	240	320	38	57	2,10	1,50	199,0	226,0	3 200	4 800	B71948C.T.P4S.UL	7,08
	240	320	38	84	2,10	1,50	187,0	248,0	3 000	4 500	B71948E.T.P4S.UL	7,08
	240	360	56	68	3,00	3,00	304,3	434,0	3 000	4 500	B7048C.T.P4S.UL	16,7
	240	360	56	98	3,00	3,00	286,7	403,6	2 800	4 300	B7048E.T.P4S.UL	16,7
260	260	360	46	64,5	2,10	1,50	254,9	365,9	3 000	4 500	B71952C.T.P4S.UL	12,1
	260	360	46	95	2,10	1,50	239,7	340,8	2 600	4 000	B71952E.T.P4S.UL	12,1



Shaft	Dimension (mm)						Load rating (kN)		Speed limit (min ⁻¹)		Code	Weight (kg)
	d	D	B	a	r _s	r _{1s}	C	C ₀	Grease	Oil	Bearing	
					min	min						
280	280	380	46	67	2,10	1,50	263,4	391,2	2 600	4 000	B71956C.T.P4S.UL	12,9
	280	380	46	100	2,10	1,50	247,5	364,5	2 400	3 800	B71956E.T.P4S.UL	12,9
300	300	420	56	76	3,00	3,00	326,7	504,3	2 400	3 800	B71960C.T.P4S.UL	20,4
	300	420	56	112	3,00	3,00	307,1	469,6	2 200	3 600	B71960E.T.P4S.UL	20,4
320	320	440	56	79	3,00	3,00	339,3	543,4	2 200	3 600	B71964C.T.P4S.UL	21,6
	320	440	56	116,5	3,00	3,00	318,9	506,2	2 000	3 400	B71964E.T.P4S.UL	21,6
340	340	460	56	81,5	3,00	3,00	342,8	560,3	2 200	3 600	B71968C.T.P4S.UL	22,7
	340	460	56	121	3,00	3,00	322,0	522,1	1 900	3 200	B71968E.T.P4S.UL	22,7
360	360	480	56	84	3,00	3,00	354,0	597,1	2 000	3 400	B71972C.T.P4S.UL	23,9
	360	480	56	126	3,00	3,00	332,5	556,6	1 800	3 000	B71972E.T.P4S.UL	23,9

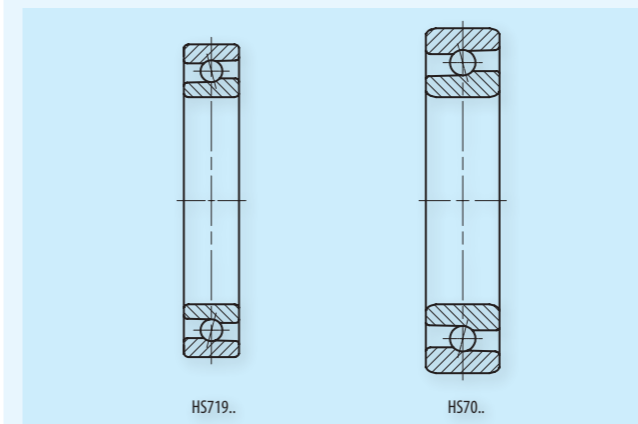
Spindle bearings

High-speed spindle bearings in standard and hybrid version

The main dimensions of high-speed bearings are identical to spindle bearings of series B. They are characterized by suitability for higher speed, lower friction and heat development. Those bearings are produced in series HS719 and HS70.



High-speed spindle bearing



Series high-speed spindle bearings

Sealed high-speed spindle bearings

The bearings are equipped with sealing discs that do not contact the inner ring shoulder diameter at both sides (suffix .2RSD). The sealed version of spindle bearings is greased standardly by grease Turmogrease Highspeed L252 of the manufacturer Lubcon.

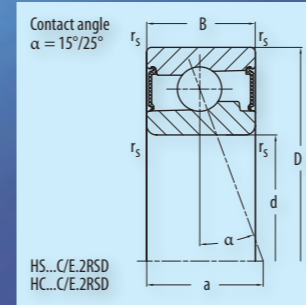
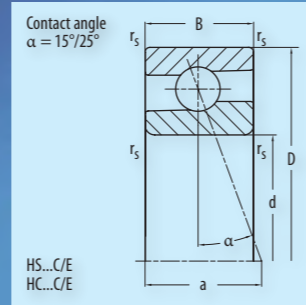
The designs can be compared with bearings e.g. of designation HSS or HCS.

For all other technical data please refer to the previous chapter "Spindle bearings".

Please see also our separate catalogue for high-precision bearings.

Spindle bearings – high-speed spindle bearings

in standard and hybrid version



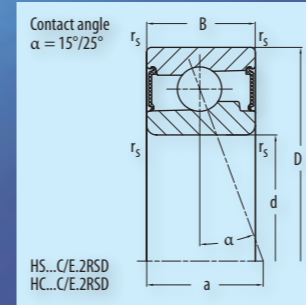
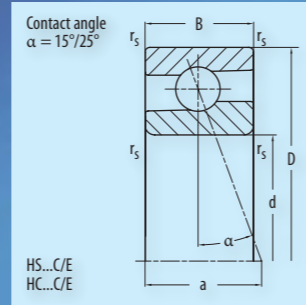
Spindle bearings – high-speed spindle bearings

in standard and hybrid version

Shaft	Dimension (mm)					Load rating (kN)		Speed limit (min ⁻¹)		Code	Weight (kg)
	d	D	B	a	r _s	C	C ₀	Grease	Oil		
										min	dyn.
17	17	35	10	9	0,3	2,9	1,6	53 000		HS7003C.2RSD.T.P4S.UL	0,040
	17	35	10	11	0,3	2,7	1,5	45 000		HS7003E.2RSD.T.P4S.UL	0,040
	17	35	10	9	0,3	2,9	1,1	63 000		HC7003C.2RSD.T.P4S.UL	0,039
	17	35	10	11	0,3	2,7	1,0	53 000		HC7003E.2RSD.T.P4S.UL	0,039
	17	35	10	9	0,3	2,9	1,6	53 000	80 000	HS7003C.T.P4S.UL	0,040
	17	35	10	11	0,3	2,7	1,5	45 000	67 000	HS7003E.T.P4S.UL	0,040
	17	35	10	9	0,3	2,9	1,1	63 000	95 000	HC7003C.T.P4S.UL	0,039
	17	35	10	11	0,3	2,7	1,0	53 000	80 000	HC7003E.T.P4S.UL	0,039
20	20	37	9	8	0,3	3,0	1,7	50 000		HS71904C.2RSD.T.P4S.UL	0,040
	20	37	9	11	0,3	2,9	1,6	43 000		HS71904E.2RSD.T.P4S.UL	0,040
	20	37	9	8	0,3	3,0	1,2	56 000		HC71904C.2RSD.T.P4S.UL	0,039
	20	37	9	11	0,3	2,9	1,1	48 000		HC71904E.2RSD.T.P4S.UL	0,039
	20	37	9	8	0,3	3,0	1,7	50 000	75 000	HS71904C.T.P4S.UL	0,040
	20	37	9	11	0,3	2,9	1,6	43 000	63 000	HS71904E.T.P4S.UL	0,040
	20	37	9	8	0,3	3,0	1,2	56 000	85 000	HC71904C.T.P4S.UL	0,039
	20	37	9	11	0,3	2,9	1,1	48 000	70 000	HC71904E.T.P4S.UL	0,039
	20	42	12	10	0,6	4,7	2,7	45 000		HS7004C.2RSD.T.P4S.UL	0,080
	20	42	12	13	0,6	4,4	2,5	38 000		HS7004E.2RSD.T.P4S.UL	0,080
	20	42	12	10	0,6	4,7	1,9	53 000		HC7004C.2RSD.T.P4S.UL	0,077
	20	42	12	13	0,6	4,4	1,8	45 000		HC7004E.2RSD.T.P4S.UL	0,077
	20	42	12	10	0,6	4,7	2,7	45 000	67 000	HS7004C.T.P4S.UL	0,080
	20	42	12	13	0,6	4,4	2,5	38 000	56 000	HS7004E.T.P4S.UL	0,080
	20	42	12	10	0,6	4,7	1,9	53 000	80 000	HC7004C.T.P4S.UL	0,077
	20	42	12	13	0,6	4,4	1,8	45 000	67 000	HC7004E.T.P4S.UL	0,077
25	25	42	9	9	0,3	3,3	2,1	43 000		HS71905C.2RSD.T.P4S.UL	0,050
	25	42	9	12	0,3	3,1	2,0	36 000		HS71905E.2RSD.T.P4S.UL	0,050
	25	42	9	9	0,3	3,3	1,5	48 000		HC71905C.2RSD.T.P4S.UL	0,048
	25	42	9	12	0,3	3,1	1,4	40 000		HC71905E.2RSD.T.P4S.UL	0,048
	25	42	9	9	0,3	3,3	2,1	43 000	63 000	HS71905C.T.P4S.UL	0,050
	25	42	9	12	0,3	3,1	2,0	36 000	53 000	HS71905E.T.P4S.UL	0,050
	25	42	9	9	0,3	3,3	1,5	48 000	70 000	HC71905C.T.P4S.UL	0,048
	25	42	9	12	0,3	3,1	1,4	40 000	60 000	HC71905E.T.P4S.UL	0,048
	25	47	12	11	0,6	4,7	2,9	38 000		HS7005C.2RSD.T.P4S.UL	0,090
	25	47	12	14	0,6	4,5	2,7	34 000		HS7005E.2RSD.T.P4S.UL	0,090
	25	47	12	11	0,6	4,7	2,0	45 000		HC7005C.2RSD.T.P4S.UL	0,087
	25	47	12	14	0,6	4,5	1,9	38 000		HC7005E.2RSD.T.P4S.UL	0,087

Spindle bearings – high-speed spindle bearings

in standard and hybrid version



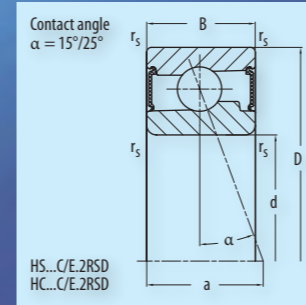
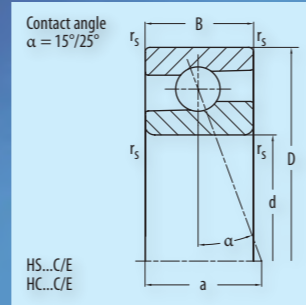
Spindle bearings – high-speed spindle bearings

in standard and hybrid version

Shaft	Dimension (mm)					Load rating (kN)		Speed limit (min ⁻¹)		Code	Weight (kg)
	d	D	B	a	r _s	C	C ₀	Grease	Oil	Bearing	
						dyn.	stat.				
25	25	47	12	11	0,6	4,7	2,9	38 000	56 000	HS7005C.T.P4S.UL	0,090
	25	47	12	14	0,6	4,5	2,7	34 000	50 000	HS7005E.T.P4S.UL	0,090
	25	47	12	11	0,6	4,7	2,0	45 000	67 000	HC7005C.T.P4S.UL	0,087
	25	47	12	14	0,6	4,5	1,9	38 000	56 000	HC7005E.T.P4S.UL	0,087
30	30	47	9	10	0,3	4,9	3,2	36 000		HS71906C.2RSD.T.P4S.UL	0,050
	30	47	9	13	0,3	4,7	3,0	32 000		HS71906E.2RSD.T.P4S.UL	0,050
	30	47	9	10	0,3	4,9	2,2	43 000		HC71906C.2RSD.T.P4S.UL	0,047
	30	47	9	13	0,3	4,7	2,1	36 000		HC71906E.2RSD.T.P4S.UL	0,047
	30	47	9	10	0,3	4,9	3,2	36 000	53 000	HS71906C.T.P4S.UL	0,050
	30	47	9	13	0,3	4,7	3,0	32 000	48 000	HS71906E.T.P4S.UL	0,050
	30	47	9	10	0,3	4,9	2,2	43 000	63 000	HC71906C.T.P4S.UL	0,047
	30	47	9	13	0,3	4,7	2,1	36 000	53 000	HC71906E.T.P4S.UL	0,047
	30	55	13	12	1,0	6,7	4,3	32 000		HS7006C.2RSD.T.P4S.UL	0,130
	30	55	13	16	1,0	6,3	4,0	28 000		HS7006E.2RSD.T.P4S.UL	0,130
	30	55	13	12	1,0	6,7	3,0	38 000		HC7006C.2RSD.T.P4S.UL	0,125
	30	55	13	16	1,0	6,3	2,8	32 000		HC7006E.2RSD.T.P4S.UL	0,125
	30	55	13	12	1,0	6,7	4,3	32 000	48 000	HS7006C.T.P4S.UL	0,130
	30	55	13	16	1,0	6,3	4,0	28 000	43 000	HS7006E.T.P4S.UL	0,130
	30	55	13	12	1,0	6,7	3,0	38 000	56 000	HC7006C.T.P4S.UL	0,125
	30	55	13	16	1,0	6,3	2,8	32 000	48 000	HC7006E.T.P4S.UL	0,125
35	35	55	10	11	0,6	5,4	3,8	32 000		HS71907C.2RSD.T.P4S.UL	0,080
	35	55	10	16	0,6	5,1	3,6	26 000		HS71907E.2RSD.T.P4S.UL	0,080
	35	55	10	11	0,6	5,4	2,7	36 000		HC71907C.2RSD.T.P4S.UL	0,076
	35	55	10	16	0,6	5,1	2,5	30 000		HC71907E.2RSD.T.P4S.UL	0,076
	35	55	10	11	0,6	5,4	3,8	32 000	48 000	HS71907C.T.P4S.UL	0,080
	35	55	10	16	0,6	5,1	3,6	26 000	40 000	HS71907E.T.P4S.UL	0,080
	35	55	10	11	0,6	5,4	2,7	36 000	53 000	HC71907C.T.P4S.UL	0,076
	35	55	10	16	0,6	5,1	2,5	30 000	45 000	HC71907E.T.P4S.UL	0,076
	35	62	14	14	1,0	7,2	5,0	28 000		HS7007C.2RSD.T.P4S.UL	0,170
	35	62	14	18	1,0	6,8	4,7	24 000		HS7007E.2RSD.T.P4S.UL	0,170
	35	62	14	14	1,0	7,2	3,5	34 000		HC7007C.2RSD.T.P4S.UL	0,164
	35	62	14	18	1,0	6,8	3,3	28 000		HC7007E.2RSD.T.P4S.UL	0,164
	35	62	14	14	1,0	7,2	5,0	28 000	43 000	HS7007C.T.P4S.UL	0,170
	35	62	14	18	1,0	6,8	4,7	24 000	38 000	HS7007E.T.P4S.UL	0,170
	35	62	14	14	1,0	7,2	3,5	34 000	50 000	HC7007C.T.P4S.UL	0,164
	35	62	14	18	1,0	6,8	3,3	28 000	43 000	HC7007E.T.P4S.UL	0,164

Spindle bearings – high-speed spindle bearings

in standard and hybrid version



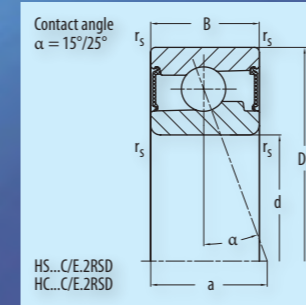
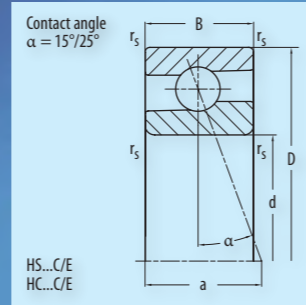
Spindle bearings – high-speed spindle bearings

in standard and hybrid version

Shaft	Dimension (mm)					Load rating (kN)		Speed limit (min ⁻¹)		Code	Weight (kg)
	d	D	B	a	r _s	C	C ₀	Grease	Oil	Bearing	
						dyn.	stat.				
40	40	62	12	13	0,6	5,7	4,4	28 000		HS71908C.2RSD.T.P4S.UL	0,130
	40	62	12	18	0,6	5,4	4,1	24 000		HS71908E.2RSD.T.P4S.UL	0,130
	40	62	12	13	0,6	5,7	3,1	32 000		HC71908C.2RSD.T.P4S.UL	0,126
	40	62	12	18	0,6	5,4	2,9	28 000		HC71908E.2RSD.T.P4S.UL	0,126
	40	62	12	13	0,6	5,7	4,4	28 000	43 000	HS71908C.T.P4S.UL	0,130
	40	62	12	18	0,6	5,4	4,1	24 000	38 000	HS71908E.T.P4S.UL	0,130
	40	62	12	13	0,6	5,7	3,1	32 000	48 000	HC71908C.T.P4S.UL	0,126
	40	62	12	18	0,6	5,4	2,9	28 000	43 000	HC71908E.T.P4S.UL	0,126
	40	68	15	15	1,0	7,6	5,7	26 000		HS7008C.2RSD.T.P4S.UL	0,220
	40	68	15	20	1,0	7,2	5,4	22 000		HS7008E.2RSD.T.P4S.UL	0,220
	40	68	15	15	1,0	7,6	4,0	30 000		HC7008C.2RSD.T.P4S.UL	0,213
	40	68	15	20	1,0	7,2	3,8	26 000		HC7008E.2RSD.T.P4S.UL	0,213
	40	68	15	15	1,0	7,6	5,7	26 000	40 000	HS7008C.T.P4S.UL	0,220
	40	68	15	20	1,0	7,2	5,4	22 000	36 000	HS7008E.T.P4S.UL	0,220
	40	68	15	15	1,0	7,6	4,0	30 000	45 000	HC7008C.T.P4S.UL	0,213
	40	68	15	20	1,0	7,2	3,8	26 000	40 000	HC7008E.T.P4S.UL	0,213
45	45	68	12	14	0,6	7,8	6,0	24 000		HS71909C.2RSD.T.P4S.UL	0,140
	45	68	12	19	0,6	7,4	5,6	22 000		HS71909E.2RSD.T.P4S.UL	0,140
	45	68	12	14	0,6	7,8	4,2	28 000		HC71909C.2RSD.T.P4S.UL	0,133
	45	68	12	19	0,6	7,4	3,9	24 000		HC71909E.2RSD.T.P4S.UL	0,133
	45	68	12	14	0,6	7,8	6,0	24 000	38 000	HS71909C.T.P4S.UL	0,140
	45	68	12	19	0,6	7,4	5,6	22 000	36 000	HS71909E.T.P4S.UL	0,140
	45	68	12	14	0,6	7,8	4,2	28 000	43 000	HC71909C.T.P4S.UL	0,133
	45	68	12	19	0,6	7,4	3,9	24 000	38 000	HC71909E.T.P4S.UL	0,133
	45	75	16	16	1,0	10,0	7,5	24 000		HS7009C.2RSD.T.P4S.UL	0,270
	45	75	16	22	1,0	9,4	7,1	20 000		HS7009E.2RSD.T.P4S.UL	0,270
	45	75	16	16	1,0	10,0	5,3	26 000		HC7009C.2RSD.T.P4S.UL	0,260
	45	75	16	22	1,0	9,4	5,0	24 000		HC7009E.2RSD.T.P4S.UL	0,260
	45	75	16	16	1,0	10,0	7,5	24 000	38 000	HS7009C.T.P4S.UL	0,270
	45	75	16	22	1,0	9,4	7,1	20 000	34 000	HS7009E.T.P4S.UL	0,270
	45	75	16	16	1,0	10,0	5,3	26 000	40 000	HC7009C.T.P4S.UL	0,260
	45	75	16	22	1,0	9,4	5,0	24 000	38 000	HC7009E.T.P4S.UL	0,260
50	50	72	12	14	0,6	8,1	6,5	22 000		HS71910C.2RSD.T.P4S.UL	0,150
	50	72	12	20	0,6	7,6	6,1	20 000		HS71910E.2RSD.T.P4S.UL	0,150
	50	72	12	14	0,6	8,1	4,5	26 000		HC71910C.2RSD.T.P4S.UL	0,142
	50	72	12	20	0,6	7,6	4,3	22 000		HC71910E.2RSD.T.P4S.UL	0,142

Spindle bearings – high-speed spindle bearings

in standard and hybrid version



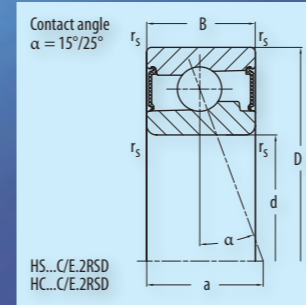
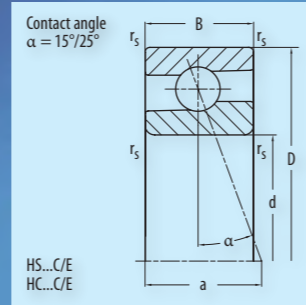
Spindle bearings – high-speed spindle bearings

in standard and hybrid version

Shaft	Dimension (mm)					Load rating (kN)		Speed limit (min ⁻¹)		Code	Weight (kg)
	d	D	B	a	r _s	C	C ₀	Grease	Oil	Bearing	
						dyn.	stat.				
50	50	72	12	14	0,6	8,1	6,5	22 000	36 000	HS71910C.T.P4S.UL	0,150
	50	72	12	20	0,6	7,6	6,1	20 000	34 000	HS71910E.T.P4S.UL	0,150
	50	72	12	14	0,6	8,1	4,5	26 000	40 000	HC71910C.T.P4S.UL	0,142
	50	72	12	20	0,6	7,6	4,3	22 000	36 000	HC71910E.T.P4S.UL	0,142
	50	80	16	17	1,0	10,3	8,2	22 000		HS7010C.2RSD.T.P4S.UL	0,290
	50	80	16	23	1,0	9,8	7,7	18 000		HS7010E.2RSD.T.P4S.UL	0,290
	50	80	16	17	1,0	10,3	5,7	24 000		HC7010C.2RSD.T.P4S.UL	0,279
	50	80	16	23	1,0	9,8	5,4	22 000		HC7010E.2RSD.T.P4S.UL	0,279
	50	80	16	17	1,0	10,3	8,2	22 000	36 000	HS7010C.T.P4S.UL	0,290
	50	80	16	23	1,0	9,8	7,7	18 000	30 000	HS7010E.T.P4S.UL	0,290
	50	80	16	17	1,0	10,3	5,7	24 000	38 000	HC7010C.T.P4S.UL	0,279
	50	80	16	23	1,0	9,8	5,4	22 000	36 000	HC7010E.T.P4S.UL	0,279
55	55	80	13	16	1,0	10,4	8,5	20 000		HS71911C.2RSD.T.P4S.UL	0,200
	55	80	13	22	1,0	9,8	8,1	18 000		HS71911E.2RSD.T.P4S.UL	0,200
	55	80	13	16	1,0	10,4	6,0	24 000		HC71911C.2RSD.T.P4S.UL	0,188
	55	80	13	22	1,0	9,8	5,6	20 000		HC71911E.2RSD.T.P4S.UL	0,188
	55	80	13	16	1,0	10,4	8,5	20 000	34 000	HS71911C.T.P4S.UL	0,200
	55	80	13	22	1,0	9,8	8,1	18 000	30 000	HS71911E.T.P4S.UL	0,200
	55	80	13	16	1,0	10,4	6,0	24 000	38 000	HC71911C.T.P4S.UL	0,188
	55	80	13	22	1,0	9,8	5,6	20 000	34 000	HC71911E.T.P4S.UL	0,188
	55	90	18	19	1,1	14,4	11,5	19 000		HS7011C.2RSD.T.P4S.UL	0,430
	55	90	18	26	1,1	13,6	10,9	17 000		HS7011E.2RSD.T.P4S.UL	0,430
	55	90	18	19	1,1	14,4	8,0	22 000		HC7011C.2RSD.T.P4S.UL	0,411
	55	90	18	26	1,1	13,6	7,6	19 000		HC7011E.2RSD.T.P4S.UL	0,411
	55	90	18	19	1,1	14,4	11,5	19 000	32 000	HS7011C.T.P4S.UL	0,430
	55	90	18	26	1,1	13,6	10,9	17 000	28 000	HS7011E.T.P4S.UL	0,430
	55	90	18	19	1,1	14,4	8,0	22 000	36 000	HC7011C.T.P4S.UL	0,411
	55	90	18	26	1,1	13,6	7,6	19 000	32 000	HC7011E.T.P4S.UL	0,411
60	60	85	13	16	1,0	10,7	9,2	19 000		HS71912C.2RSD.T.P4S.UL	0,210
	60	85	13	23	1,0	10,1	8,7	17 000		HS71912E.2RSD.T.P4S.UL	0,210
	60	85	13	16	1,0	10,7	6,4	22 000		HC71912C.2RSD.T.P4S.UL	0,198
	60	85	13	23	1,0	10,1	6,1	19 000		HC71912E.2RSD.T.P4S.UL	0,198
	60	85	13	16	1,0	10,7	9,2	19 000	32 000	HS71912C.T.P4S.UL	0,210
	60	85	13	23	1,0	10,1	8,7	17 000	28 000	HS71912E.T.P4S.UL	0,210
	60	85	13	16	1,0	10,7	6,4	22 000	36 000	HC71912C.T.P4S.UL	0,198
	60	85	13	23	1,0	10,1	6,1	19 000	32 000	HC71912E.T.P4S.UL	0,198

Spindle bearings – high-speed spindle bearings

in standard and hybrid version



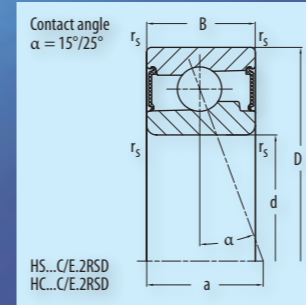
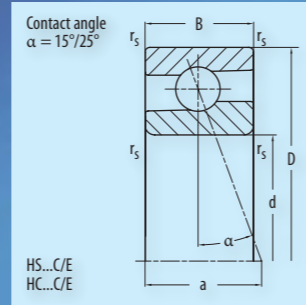
Spindle bearings – high-speed spindle bearings

in standard and hybrid version

Shaft	Dimension (mm)					Load rating (kN)		Speed limit (min ⁻¹)		Code	Weight (kg)
	d	D	B	a	r _s	C	C ₀	Grease	Oil		
										min	dyn.
60	60	95	18	19	1,1	15,0	12,5	18 000		HS7012C.2RSD.T.P4S.UL	0,460
	60	95	18	27	1,1	14,1	11,8	15 000		HS7012E.2RSD.T.P4S.UL	0,460
	60	95	18	19	1,1	15,0	8,7	20 000		HC7012C.2RSD.T.P4S.UL	0,439
	60	95	18	27	1,1	14,1	8,3	18 000		HC7012E.2RSD.T.P4S.UL	0,439
	60	95	18	19	1,1	15,0	12,5	18 000	30 000	HS7012C.T.P4S.UL	0,460
	60	95	18	27	1,1	14,1	11,8	15 000	24 000	HS7012E.T.P4S.UL	0,460
	60	95	18	19	1,1	15,0	8,7	20 000	34 000	HC7012C.T.P4S.UL	0,439
	60	95	18	27	1,1	14,1	8,3	18 000	30 000	HC7012E.T.P4S.UL	0,439
65	65	90	13	17	1,0	11,0	9,9	18 000		HS71913C.2RSD.T.P4S.UL	0,230
	65	90	13	25	1,0	10,4	9,3	15 000		HS71913E.2RSD.T.P4S.UL	0,230
	65	90	13	17	1,0	11,0	6,9	20 000		HC71913C.2RSD.T.P4S.UL	0,217
	65	90	13	25	1,0	10,4	6,5	18 000		HC71913E.2RSD.T.P4S.UL	0,217
	65	90	13	17	1,0	11,0	9,9	18 000	30 000	HS71913C.T.P4S.UL	0,230
	65	90	13	25	1,0	10,4	9,3	15 000	24 000	HS71913E.T.P4S.UL	0,230
	65	90	13	17	1,0	11,0	6,9	20 000	34 000	HC71913C.T.P4S.UL	0,217
	65	90	13	25	1,0	10,4	6,5	18 000	30 000	HC71913E.T.P4S.UL	0,217
	65	100	18	20	1,1	15,5	13,5	17 000		HS7013C.2RSD.T.P4S.UL	0,480
	65	100	18	28	1,1	14,6	12,7	15 000		HS7013E.2RSD.T.P4S.UL	0,480
	65	100	18	20	1,1	15,5	9,4	20 000		HC7013C.2RSD.T.P4S.UL	0,458
	65	100	18	28	1,1	14,6	8,9	17 000		HC7013E.2RSD.T.P4S.UL	0,458
	65	100	18	20	1,1	15,5	13,5	17 000	28 000	HS7013C.T.P4S.UL	0,480
	65	100	18	28	1,1	14,6	12,7	15 000	24 000	HS7013E.T.P4S.UL	0,480
	65	100	18	20	1,1	15,5	9,4	20 000	34 000	HC7013C.T.P4S.UL	0,458
	65	100	18	28	1,1	14,6	8,9	17 000	28 000	HC7013E.T.P4S.UL	0,458
70	70	100	16	19	1,0	14,3	12,9	16 000		HS71914C.2RSD.T.P4S.UL	0,370
	70	100	16	28	1,0	13,4	12,2	14 000		HS71914E.2RSD.T.P4S.UL	0,370
	70	100	16	19	1,0	14,3	9,1	19 000		HC71914C.2RSD.T.P4S.UL	0,350
	70	100	16	28	1,0	13,4	8,6	16 000		HC71914E.2RSD.T.P4S.UL	0,350
	70	100	16	19	1,0	14,3	12,9	16 000	26 000	HS71914C.T.P4S.UL	0,370
	70	100	16	28	1,0	13,4	12,2	14 000	22 000	HS71914E.T.P4S.UL	0,370
	70	100	16	19	1,0	14,3	9,1	19 000	32 000	HC71914C.T.P4S.UL	0,350
	70	100	16	28	1,0	13,4	8,6	16 000	26 000	HC71914E.T.P4S.UL	0,350
	70	110	20	22	1,1	20,0	17,2	16 000		HS7014C.2RSD.T.P4S.UL	0,670
	70	110	20	31	1,1	18,9	16,3	13 000		HS7014E.2RSD.T.P4S.UL	0,670
	70	110	20	22	1,1	20,0	12,1	18 000		HC7014C.2RSD.T.P4S.UL	0,636
	70	110	20	31	1,1	18,9	11,4	15 000		HC7014E.2RSD.T.P4S.UL	0,636

Spindle bearings – high-speed spindle bearings

in standard and hybrid version



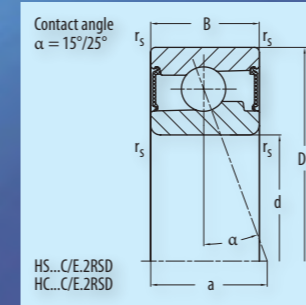
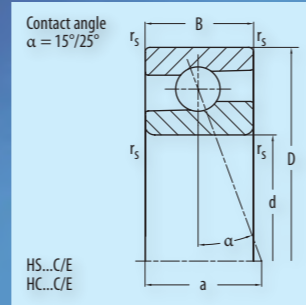
Spindle bearings – high-speed spindle bearings

in standard and hybrid version

Shaft	Dimension (mm)					Load rating (kN)		Speed limit (min ⁻¹)		Code	Weight (kg)
	d	D	B	a	r _s	C	C ₀	Grease	Oil		
										min	dyn.
70	70	110	20	22	1,1	20,0	17,2	16 000	26 000	HS7014C.T.P4S.UL	0,670
	70	110	20	31	1,1	18,9	16,3	13 000	20 000	HS7014E.T.P4S.UL	0,670
	70	110	20	22	1,1	20,0	12,1	18 000	30 000	HC7014C.T.P4S.UL	0,636
	70	110	20	31	1,1	18,9	11,4	15 000	24 000	HC7014E.T.P4S.UL	0,636
75	75	105	16	20	1,0	14,7	13,8	16 000		HS71915C.2RSD.T.P4S.UL	0,400
	75	105	16	29	1,0	13,8	13,0	13 000		HS71915E.2RSD.T.P4S.UL	0,400
	75	105	16	20	1,0	14,7	9,7	18 000		HC71915C.2RSD.T.P4S.UL	0,379
	75	105	16	29	1,0	13,8	9,1	15 000		HC71915E.2RSD.T.P4S.UL	0,379
	75	105	16	20	1,0	14,7	13,8	16 000	26 000	HS71915C.T.P4S.UL	0,400
	75	105	16	29	1,0	13,8	13,0	13 000	20 000	HS71915E.T.P4S.UL	0,400
	75	105	16	20	1,0	14,7	9,7	18 000	30 000	HC71915C.T.P4S.UL	0,379
	75	105	16	29	1,0	13,8	9,1	15 000	24 000	HC71915E.T.P4S.UL	0,379
	75	115	20	23	1,1	20,3	17,9	15 000		HS7015C.2RSD.T.P4S.UL	0,710
	75	115	20	32	1,1	19,1	17,0	13 000		HS7015E.2RSD.T.P4S.UL	0,710
	75	115	20	23	1,1	20,3	12,6	17 000		HC7015C.2RSD.T.P4S.UL	0,675
	75	115	20	32	1,1	19,1	11,9	15 000		HC7015E.2RSD.T.P4S.UL	0,675
	75	115	20	23	1,1	20,3	17,9	15 000	24 000	HS7015C.T.P4S.UL	0,710
	75	115	20	32	1,1	19,1	17,0	13 000	20 000	HS7015E.T.P4S.UL	0,710
	75	115	20	23	1,1	20,3	12,6	17 000	28 000	HC7015C.T.P4S.UL	0,675
	75	115	20	32	1,1	19,1	11,9	15 000	24 000	HC7015E.T.P4S.UL	0,675
80	80	110	16	21	1,0	16,3	15,5	15 000		HS71916C.2RSD.T.P4S.UL	0,410
	80	110	16	30	1,0	15,4	14,6	13 000		HS71916E.2RSD.T.P4S.UL	0,410
	80	110	16	21	1,0	16,3	10,8	17 000		HC71916C.2RSD.T.P4S.UL	0,385
	80	110	16	30	1,0	15,4	10,2	15 000		HC71916E.2RSD.T.P4S.UL	0,385
	80	110	16	21	1,0	16,3	15,5	15 000	24 000	HS71916C.T.P4S.UL	0,410
	80	110	16	30	1,0	15,4	14,6	13 000	20 000	HS71916E.T.P4S.UL	0,410
	80	110	16	21	1,0	16,3	10,8	17 000	28 000	HC71916C.T.P4S.UL	0,385
	80	110	16	30	1,0	15,4	10,2	15 000	24 000	HC71916E.T.P4S.UL	0,385
	80	125	22	25	1,1	24,4	21,8	14 000		HS7016C.2RSD.T.P4S.UL	0,960
	80	125	22	35	1,1	23,1	20,6	12 000		HS7016E.2RSD.T.P4S.UL	0,960
	80	125	22	25	1,1	24,4	15,2	16 000		HC7016C.2RSD.T.P4S.UL	0,915
	80	125	22	35	1,1	23,1	14,4	13 000		HC7016E.2RSD.T.P4S.UL	0,915
	80	125	22	25	1,1	24,4	21,8	14 000	22 000	HS7016C.T.P4S.UL	0,960
	80	125	22	35	1,1	23,1	20,6	12 000	19 000	HS7016E.T.P4S.UL	0,960
	80	125	22	25	1,1	24,4	15,2	16 000	26 000	HC7016C.T.P4S.UL	0,915
	80	125	22	35	1,1	23,1	14,4	13 000	20 000	HC7016E.T.P4S.UL	0,915

Spindle bearings – high-speed spindle bearings

in standard and hybrid version



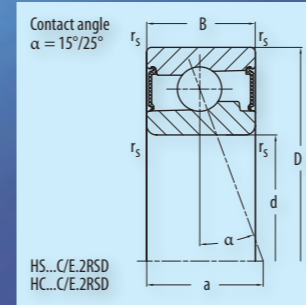
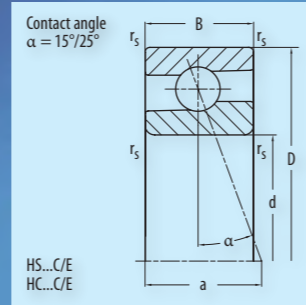
Spindle bearings – high-speed spindle bearings

in standard and hybrid version

Shaft	Dimension (mm)					Load rating (kN)		Speed limit (min ⁻¹)		Code	Weight (kg)
	d	D	B	a	r _s	C	C ₀	Grease	Oil	Bearing	
						dyn.	stat.				
85	85	120	18	23	1,1	17,0	17,0	14 000		HS71917C.2RSD.T.P4S.UL	0,610
			18	33	1,1	16,0	16,0	12 000		HS71917E.2RSD.T.P4S.UL	0,610
			18	23	1,1	17,0	11,9	16 000		HC71917C.2RSD.T.P4S.UL	0,582
			18	33	1,1	16,0	11,2	13 000		HC71917E.2RSD.T.P4S.UL	0,582
	85	120	18	23	1,1	17,0	17,0	14 000	22 000	HS71917C.T.P4S.UL	0,610
			18	33	1,1	16,0	16,0	12 000	19 000	HS71917E.T.P4S.UL	0,610
			18	23	1,1	17,0	11,9	16 000	26 000	HC71917C.T.P4S.UL	0,582
			18	33	1,1	16,0	11,2	13 000	20 000	HC71917E.T.P4S.UL	0,582
	85	130	22	25	1,1	24,6	22,6	13 000		HS7017C.2RSD.T.P4S.UL	0,990
			22	36	1,1	23,2	21,4	11 000		HS7017E.2RSD.T.P4S.UL	0,990
			22	25	1,1	24,6	15,8	15 000		HC7017C.2RSD.T.P4S.UL	0,942
			22	36	1,1	23,2	15,0	13 000		HC7017E.2RSD.T.P4S.UL	0,942
	85	130	22	25	1,1	24,6	22,6	13 000	20 000	HS7017C.T.P4S.UL	0,990
			22	36	1,1	23,2	21,4	11 000	18 000	HS7017E.T.P4S.UL	0,990
			22	25	1,1	24,6	15,8	15 000	24 000	HC7017C.T.P4S.UL	0,942
			22	36	1,1	23,2	15,0	13 000	20 000	HC7017E.T.P4S.UL	0,942
90	90	125	18	23	1,1	18,6	18,7	13 000		HS71918C.2RSD.T.P4S.UL	0,630
			18	34	1,1	17,7	17,7	11 000		HS71918E.2RSD.T.P4S.UL	0,630
			18	23	1,1	18,6	13,1	15 000		HC71918C.2RSD.T.P4S.UL	0,598
			18	34	1,1	17,7	12,4	13 000		HC71918E.2RSD.T.P4S.UL	0,598
	90	125	18	23	1,1	18,6	18,7	13 000	20 000	HS71918C.T.P4S.UL	0,630
			18	34	1,1	17,7	17,7	11 000	18 000	HS71918E.T.P4S.UL	0,630
			18	23	1,1	18,6	13,1	15 000	24 000	HC71918C.T.P4S.UL	0,598
			18	34	1,1	17,7	12,4	13 000	20 000	HC71918E.T.P4S.UL	0,598
	90	140	24	27	1,5	28,7	26,6	12 000		HS7018C.2RSD.T.P4S.UL	1,31
			24	39	1,5	27,1	25,1	10 000		HS7018E.2RSD.T.P4S.UL	1,31
			24	27	1,5	28,7	18,6	14 000		HC7018C.2RSD.T.P4S.UL	1,25
			24	39	1,5	27,1	17,6	12 000		HC7018E.2RSD.T.P4S.UL	1,25
	90	140	24	27	1,5	28,7	26,6	12 000	19 000	HS7018C.T.P4S.UL	1,31
			24	39	1,5	27,1	25,1	10 000	17 000	HS7018E.T.P4S.UL	1,31
			24	27	1,5	28,7	18,6	14 000	22 000	HC7018C.T.P4S.UL	1,25
			24	39	1,5	27,1	17,6	12 000	19 000	HC7018E.T.P4S.UL	1,25
95	130	18	24	1,1	19,1	19,8	12 000		HS71919C.2RSD.T.P4S.UL	0,660	
		18	35	1,1	18,0	18,7	10 000		HS71919E.2RSD.T.P4S.UL	0,660	
		18	24	1,1	19,1	13,9	14 000		HC71919C.2RSD.T.P4S.UL	0,626	
		18	35	1,1	18,0	13,1	12 000		HC71919E.2RSD.T.P4S.UL	0,626	

Spindle bearings – high-speed spindle bearings

in standard and hybrid version



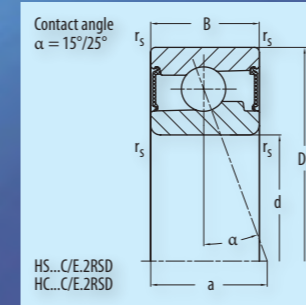
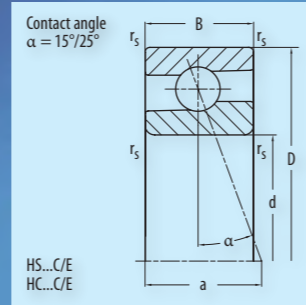
Spindle bearings – high-speed spindle bearings

in standard and hybrid version

Shaft	Dimension (mm)					Load rating (kN)		Speed limit (min ⁻¹)		Code	Weight (kg)
	d	D	B	a	r _s	C	C ₀	Grease	Oil	Bearing	
						dyn.	stat.				
95	95	130	18	24	1,1	19,1	19,8	12 000	19 000	HS71919C.T.P4S.UL	0,660
	95	130	18	35	1,1	18,0	18,7	10 000	17 000	HS71919E.T.P4S.UL	0,660
	95	130	18	24	1,1	19,1	13,9	14 000	22 000	HC71919C.T.P4S.UL	0,626
	95	130	18	35	1,1	18,0	13,1	12 000	19 000	HC71919E.T.P4S.UL	0,626
	95	145	24	28	1,5	29,1	27,6	11 000		HS7019C.2RSD.T.P4S.UL	1,34
	95	145	24	40	1,5	27,4	26,1	9 500		HS7019E.2RSD.T.P4S.UL	1,34
	95	145	24	28	1,5	29,1	19,3	13 000		HC7019C.2RSD.T.P4S.UL	1,28
	95	145	24	40	1,5	27,4	18,3	11 000		HC7019E.2RSD.T.P4S.UL	1,28
	95	145	24	28	1,5	29,1	27,6	11 000	18 000	HS7019C.T.P4S.UL	1,34
	95	145	24	40	1,5	27,4	26,1	9 500	16 000	HS7019E.T.P4S.UL	1,34
	95	145	24	28	1,5	29,1	19,3	13 000	20 000	HC7019C.T.P4S.UL	1,28
	95	145	24	40	1,5	27,4	18,3	11 000	18 000	HC7019E.T.P4S.UL	1,28
100	100	140	20	26	1,1	22,7	23,5	11 000		HS71920C.2RSD.T.P4S.UL	0,900
	100	140	20	38	1,1	21,4	22,1	9 500		HS71920E.2RSD.T.P4S.UL	0,900
	100	140	20	26	1,1	22,7	16,4	13 000		HC71920C.2RSD.T.P4S.UL	0,855
	100	140	20	38	1,1	21,4	15,5	11 000		HC71920E.2RSD.T.P4S.UL	0,855
	100	140	20	26	1,1	22,7	23,5	11 000	18 000	HS71920C.T.P4S.UL	0,900
	100	140	20	38	1,1	21,4	22,1	9 500	16 000	HS71920E.T.P4S.UL	0,900
	100	140	20	26	1,1	22,7	16,4	13 000	20 000	HC71920C.T.P4S.UL	0,855
	100	140	20	38	1,1	21,4	15,5	11 000	18 000	HC71920E.T.P4S.UL	0,855
	100	150	24	29	1,5	29,4	28,6	11 000		HS7020C.2RSD.T.P4S.UL	1,40
	100	150	24	41	1,5	27,8	27,0	9 000		HS7020E.2RSD.T.P4S.UL	1,40
	100	150	24	29	1,5	29,4	20,0	12 000		HC7020C.2RSD.T.P4S.UL	1,33
	100	150	24	41	1,5	27,8	18,9	11 000		HC7020E.2RSD.T.P4S.UL	1,33
	100	150	24	29	1,5	29,4	28,6	11 000	18 000	HS7020C.T.P4S.UL	1,40
	100	150	24	41	1,5	27,8	27,0	9 000	15 000	HS7020E.T.P4S.UL	1,40
	100	150	24	29	1,5	29,4	20,0	12 000	19 000	HC7020C.T.P4S.UL	1,33
	100	150	24	41	1,5	27,8	18,9	11 000	18 000	HC7020E.T.P4S.UL	1,33
105	105	145	20	27	1,1	22,9	24,2	11 000	18 000	HS71921C.T.P4S.UL	0,900
	105	145	20	39	1,1	21,5	22,8	9 000	15 000	HS71921E.T.P4S.UL	0,900
	105	145	20	27	1,1	22,9	16,9	12 000	19 000	HC71921C.T.P4S.UL	0,850
	105	145	20	39	1,1	21,5	16,0	11 000	18 000	HC71921E.T.P4S.UL	0,850
	105	160	26	31	2,0	38,3	36,4	10 000	17 000	HS7021C.T.P4S.UL	1,80
	105	160	26	44	2,0	36,1	34,4	8 500	14 000	HS7021E.T.P4S.UL	1,80
	105	160	26	31	2,0	38,3	25,4	12 000	19 000	HC7021C.T.P4S.UL	1,70
	105	160	26	44	2,0	36,1	24,0	10 000	17 000	HC7021E.T.P4S.UL	1,70

Spindle bearings – high-speed spindle bearings

in standard and hybrid version



Spindle bearings – high-speed spindle bearings

in standard and hybrid version

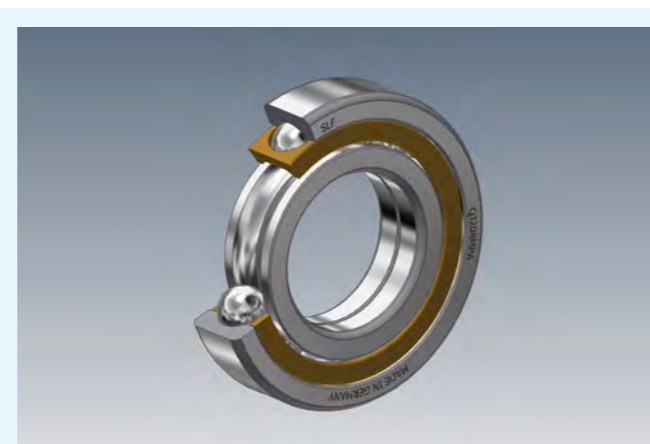
Shaft	Dimension (mm)					Load rating (kN)		Speed limit (min ⁻¹)		Code	Weight (kg)
	d	D	B	a	r _s	C	C ₀	Grease	Oil	Bearing	
110	110	150	20	27	1,1	27,1	28,5	10 000	17 000	HS71922C.T.P4S.UL	1,00
	110	150	20	40	1,1	25,6	26,8	8 500	14 000	HS71922E.T.P4S.UL	1,00
	110	150	20	27	1,1	27,1	19,9	12 000	19 000	HC71922C.T.P4S.UL	0,940
	110	150	20	40	1,1	25,6	18,8	10 000	17 000	HC71922E.T.P4S.UL	0,940
	110	170	28	33	2,0	38,5	37,9	9 500	16 000	HS7022C.T.P4S.UL	2,20
	110	170	28	47	2,0	36,4	35,8	8 000	13 000	HS7022E.T.P4S.UL	2,20
	110	170	28	33	2,0	38,5	26,5	11 000	18 000	HC7022C.T.P4S.UL	2,10
	110	170	28	47	2,0	36,4	25,0	9 000	15 000	HC7022E.T.P4S.UL	2,10
120	120	165	22	30	1,1	28,2	30,6	9 000	15 000	HS71924C.T.P4S.UL	1,30
	120	165	22	44	1,1	26,8	28,8	8 000	13 000	HS71924E.T.P4S.UL	1,30
	120	165	22	30	1,1	28,2	21,4	11 000	18 000	HC71924C.T.P4S.UL	1,23
	120	165	22	44	1,1	26,6	20,2	9 000	15 000	HC71924E.T.P4S.UL	1,23
	120	180	28	34	2,0	39,6	40,6	8 500	14 000	HS7024C.T.P4S.UL	2,30
	120	180	28	49	2,0	37,3	38,3	7 500	12 000	HS7024E.T.P4S.UL	2,30
	120	180	28	34	2,0	39,6	28,4	10 000	17 000	HC7024C.T.P4S.UL	2,10
	120	180	28	49	2,0	37,3	26,8	8 500	14 000	HC7024E.T.P4S.UL	2,10
130	130	180	24	33	1,5	32,5	36,5	8 500	14 000	HS71926C.T.P4S.UL	1,80
	130	180	24	48	1,5	30,7	34,4	7 000	11 000	HS71926E.T.P4S.UL	1,80
	130	180	24	33	1,5	32,5	25,6	9 500	16 000	HC71926C.T.P4S.UL	1,70
	130	180	24	48	1,5	30,7	24,1	8 000	13 000	HC71926E.T.P4S.UL	1,70
	130	200	33	39	2,0	50,9	53,2	7 500	12 000	HS7026C.T.P4S.UL	3,70
	130	200	33	55	2,0	48,0	50,2	6 700	10 000	HS7026E.T.P4S.UL	3,70
	130	200	33	39	2,0	50,9	37,2	9 000	15 000	HC7026C.T.P4S.UL	3,50
	130	200	33	55	2,0	48,0	35,2	7 500	12 000	HC7026E.T.P4S.UL	3,50

Four-point bearings

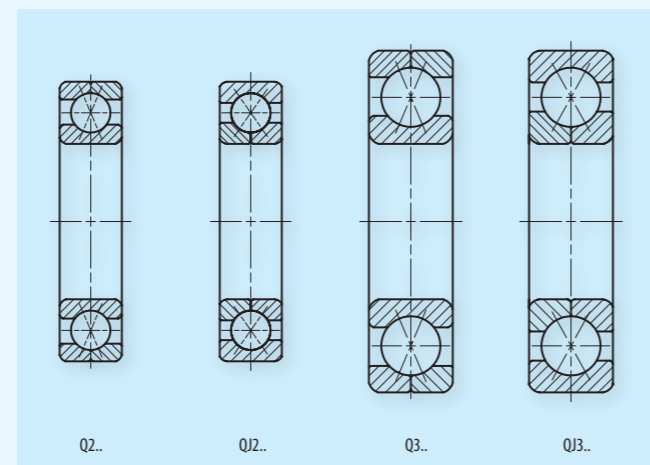
Four-point bearings belong to single-row angular contact ball bearings and can accept high axial forces in both directions. However, only low radial forces can be accepted. A minimum axial load must be applied in order to achieve low friction. This is applicable in particular to high speeds.

SLF produces two designs of four-point bearings:

- with split inner ring as design QJ and
- with split outer ring as design Q each in series 2 and 3.



Four-point bearing



Series four-point bearings

Due to the split inner resp. outer ring it is possible to place a high number of balls. Relevant ring (outer or inner ring) with ball race and relevant ring halves can be installed separately. The angular adjustment facility is very low.

The bearings of QJ version have a contact angle of 35° and in Q version a contact angle of 23°.

Tolerances, bearing clearance

The bearings of standard design have standard tolerances and standard bearing clearances. Bearings with different clearances can be supplied on request.

- Tolerances: Radial bearings, page 8
- Axial clearance: Four-point bearings, page 28

Cages

The four-point bearings are produced with solid brass cages or fiber-glass reinforced polyamide 66. Please refer to the product overview for possible standard design. For different cages please contact the manufacturer. The application temperature of polyamide cage is max. 120° C.

Heat treatment

Four-point bearings are heat treated so that they can be used dimensionally stable up to an operating temperature of 150° C – bearings with an outer diameter above 120 mm up to an operating temperature of 200° C in consideration of used cage.

Norms

Angular contact ball bearings (four-point bearings)	DIN 628-4
---	-----------

Dynamic equivalent loading

For lifetime calculation an equivalent radial load has to be inserted in case of combined loading. This is determined as follows:

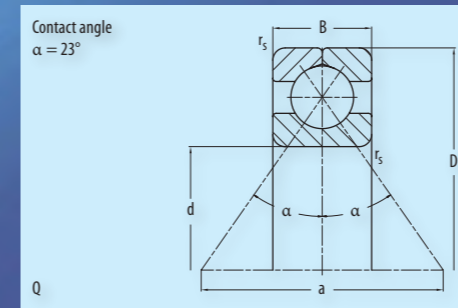
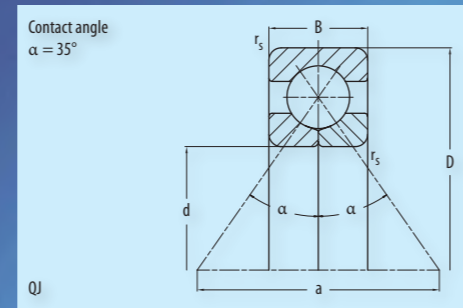
Dynamic equivalent loading	
$P = F_r + 0,66 * F_a$	for $\frac{F_a}{F_r} \leq 0,95$
$P = 0,6 * F_r + 1,07 * F_a$	for $\frac{F_a}{F_r} > 0,95$
P	Dynamic equivalent loading for radial and axial load
F _r	Dynamic radial load
F _a	Dynamic axial load

To minimize the friction in the bearing the axial force should be selected so that the ball contact only at two points. This is the case if $F_a > 1,2 F_r$.

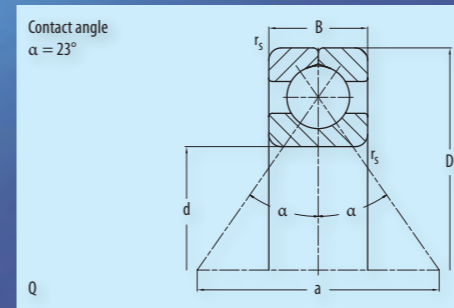
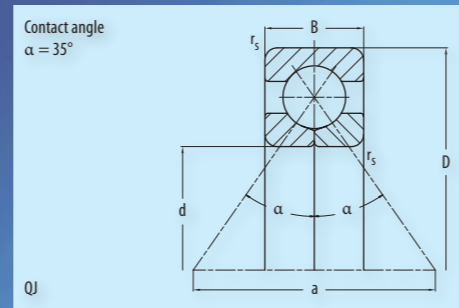
Static equivalent loading

In order to evaluate static structural safety for combined loading equivalent radial load has to be calculated as follows:

Static equivalent loading	
$P_0 = F_{0r} + 0,58 * F_{0a}$	
P ₀	Static equivalent loading for radial and axial load
F _{0r}	Static radial load
F _{0a}	Static axial load



Shaft	Dimension (mm)					Load rating (kN)		Speed limit (min ⁻¹)		Code	Weight (kg)
	d	D	B	r _s	a	C	C ₀	Grease	Oil		
				min		dyn.	stat.			Bearing	
30	30	62	16	1	32	36,5	27,5	9 000	13 000	QJ206MPA	0,240
	30	72	19	1,1	36	58,5	43	8 000	11 000	QJ306TVP	0,372
	30	72	19	1,1	36	55	39	8 000	11 000	QJ306MPA	0,420
	30	72	19	1,1	22	59	44	8 000	11 000	Q306TVP	0,372
	30	72	19	1,1	22	55	39	8 000	11 000	Q306MAS	0,420
	30	72	19	1,1	22	55	39	8 000	11 000	Q306MPA	0,420
35	35	72	17	1,1	37	44	35,5	8 000	11 000	QJ207MPA	0,347
	35	80	21	1,5	40	59	46,6	8 200	11 000	QJ307MPA	0,566
40	40	80	18	1,1	42	56	45,7	7 000	9 500	QJ208TVP	0,388
	40	80	18	1,1	42	54	45,5	7 000	9 500	QJ208MPA	0,400
	40	90	23	1,5	46	86,5	68	6 300	8 500	QJ308TVP	0,689
	40	90	23	1,5	46	80,6	62	6 300	8 500	QJ308MPA	0,700
45	45	85	19	1,1	46	64	57	6 300	8 500	QJ209TVP	0,482
	45	85	19	1,1	46	64	57	6 300	8 500	QJ209MPA	0,500
	45	100	25	1,5	51	101	82,3	7 800	10 500	QJ309MPA	1,03
50	50	90	20	1,1	49	61,4	56,2	6 000	8 000	QJ210MPA	0,575
	50	110	27	2	56	110	91,6	7 400	10 000	QJ310MPA	1,33
55	55	100	21	1,5	54	80	76	5 000	7 000	QJ211MPA	0,764
	55	120	29	2	61	127	109	7 400	10 000	QJ311MPA	1,38
60	60	110	22	1,5	60	96	85	4 800	6 300	QJ212TVP	0,869
	60	110	22	1,5	60	96	85	4 800	6 300	QJ212MPA	0,925
	60	130	31	2,1	67	145	126	7 000	9 500	QJ312MPA	2,11
65	65	140	33	2,1	44	177	158	6 400	8 700	Q313MB	2,69
	65	140	33	2,1	72	164	145	6 400	8 700	QJ313MPA	2,63
70	70	150	35	2,1	47	200	180	6 000	8 100	Q314MPA	3,10
	70	150	35	2,1	77	184	165	6 000	8 100	QJ314MPA	3,21
75	75	130	25	1,5	72	120	122	4 000	5 300	QJ215N2.MPA	1,47
	75	160	37	2,1	82	212	204	5 600	7 600	QJ315N2.MPA	3,93
80	80	170	39	2,1	88	225	221	5 200	7 000	QJ316N2.MPA	4,47
85	85	150	28	2	82	153	161	5 000	7 000	QJ217MPA	2,19
	85	180	41	3	56	253	253	4 900	6 600	Q317MB	5,49
	85	180	41	3	93	248	254	4 900	6 600	QJ317N2.MPA	5,32
90	90	160	30	2	88	176	186	3 200	4 300	QJ218N2.MPA	2,80
	90	190	43	3	98	266	281	4 600	6 300	QJ318N2.MPA	6,19
100	100	180	34	2,1	98	224	240	2 800	3 800	QJ220N2.MPA	4,10
	100	215	47	3	110	325	365	2 600	3 600	QJ320N2.MPA	9,04



Shaft	Dimension (mm)					Load rating (kN)		Speed limit (min ⁻¹)		Code Bearing	Weight (kg)
	d	D	B	r _s min	a	C dyn.	C ₀ stat.	Grease	Oil		
110	110	200	38	2,1	109	258	282	2 600	3 600	QJ222N2.MPA	5,66
	110	240	50	3	123	345	415	2 400	3 400	QJ322N2.MPA	12,2
120	120	215	40	2,1	117	280	340	2 400	3 400	QJ224N2.MPA	6,74
	120	260	55	3	133	380	480	2 200	3 200	QJ324N2.MPA	15,6
130	130	230	40	3	126	290	365	2 200	3 200	QJ226N2.MPA	7,66
	130	280	58	4	144	425	570	2 000	3 000	QJ326N2.MPA	19,2
140	140	250	42	3	137	315	415	2 000	3 000	QJ228N2.MPA	9,69
	140	300	62	4	154	475	655	1 800	2 600	QJ328N2.MPA	23,2
150	150	270	45	3	147	345	480	1 900	2 800	QJ230N2.MPA	12,2
	150	320	65	4	165	510	735	1 700	2 400	QJ330N2.MPA	28,0
160	160	290	48	3	158	375	530	1 800	2 600	QJ232N2.MPA	15,3
	160	340	68	4	175	585	865	1 600	2 200	QJ332N2.MPA	32,8
170	170	310	52	4	168	425	630	1 700	2 400	QJ234N2.MPA	18,9
	170	360	72	4	186	585	915	1 500	2 000	QJ334N2.MPA	38,4
180	180	320	52	4	175	430	680	1 600	2 200	QJ236N2.MPA	19,6
	180	320	52	4	175	430	680	1 200	1 700	Q236MPA	19,6
	180	380	75	4	196	680	1 080	1 400	1 900	QJ336N2.MPA	44,9
190	190	340	55	4	186	460	750	1 500	2 000	QJ238N2.MPA	23,8
	190	400	78	5	207	735	1 250	1 300	1 800	QJ338N2.MPA	52,1
200	200	360	58	4	196	515	850	1 400	1 900	QJ240N2.MPA	28,0
220	220	400	65	4	217	630	1 120	1 300	1 800	QJ244N2.MPA	38,6
	220	460	88	5	238	900	1 660	1 200	1 700	QJ344N2.MPA	77,0
240	240	440	72	4	238	680	1 270	1 200	1 700	QJ248N2.MPA	53,1
	240	500	95	5	259	1 020	1 960	1 100	1 600	QJ348N2.MPA	98,2

Self-aligning ball bearings

with cylindrical and taper bore

Self-aligning ball bearings

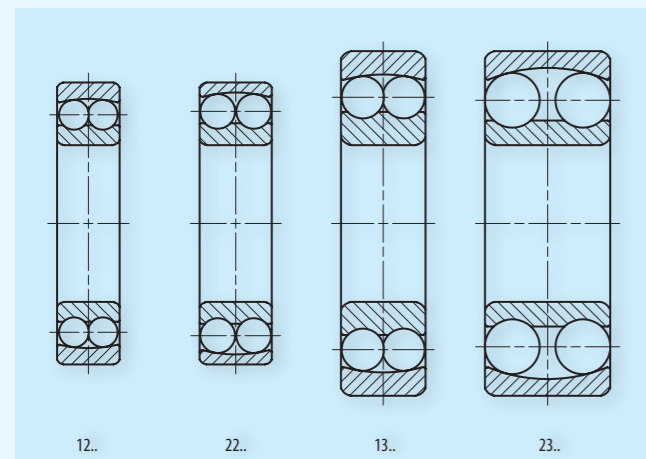
with cylindrical and taper bore

Self-aligning ball bearings with cylindrical and taper bore

The self-aligning ball bearing is a two-row bearing with two raceways at the inner ring and one shared hollow-sphere raceway in the outer ring. Thus they can be moved angularly and are resistant if the shaft is in inclined position to the housing. They are suitable specifically for bearings for which higher shaft deflection resp. alignment errors have to be expected. Self-aligning ball bearings are available in designs with cylindrical and taper bore in series 12, 22, 13 and 23.



Self-aligning ball bearing



Series self-aligning ball bearings

Sealed self-aligning ball bearings

Sealed self-aligning ball bearings (bearings of series 22 ... and 23 ...) are provided with contacting discs at both sides. In addition grease filling is standard. The bearings can be used at temperatures between -30°C and 110°C.

Angular adjustment facility

Self-aligning ball bearings can be slewn by approx. 4° from the center position. This angle is max. 1.5° for sealed bearings.

Cages

Self-aligning ball bearings are available in designs with fiber-glass reinforced polyamide 66 with suffix TV as well as with solid brass cages (M). Some types of self-aligning ball bearings are also available with sheet-metal cage (J) on request. The same conditions apply to the use of the cage of fiber-glass reinforced polyamide 66 as for deep groove ball bearings.

Taper bore

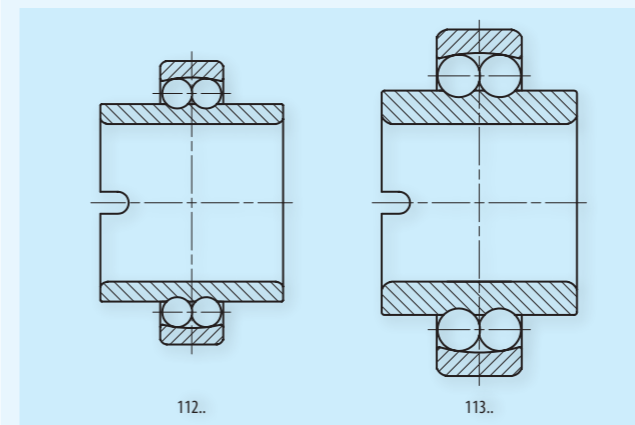
The range of products includes self-aligning ball bearings with cylindrical and taper bore. The taper of the bore is 1:12.

Bearings with wide inner ring

The series 112 and 113 self-aligning ball bearings are provided with a wide inner ring. Fixing is made by clamping pins that fit in the longitudinal groove at one side of the inner ring. The tolerance of the bearing bore is J7 for both bearing series.



Self-aligning ball bearing with wide inner ring



Series self-aligning ball bearings with wide inner ring

Norms

Self-aligning ball bearings	DIN 630
Self-aligning ball bearings with wide inner ring	DIN 630

Installation dimensions

The bearing rings should contact only the shaft and housing shoulder, not the fillet. The balls of some self-aligning ball bearings slightly protrude laterally.

Dynamic equivalent loading

For lifetime calculation an equivalent radial load has to be inserted in case of combined loading. This is determined as follows:

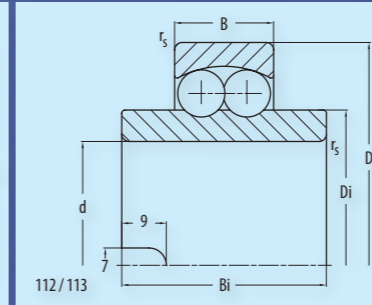
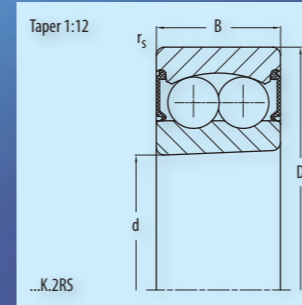
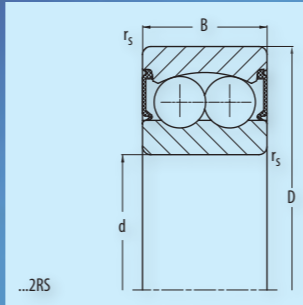
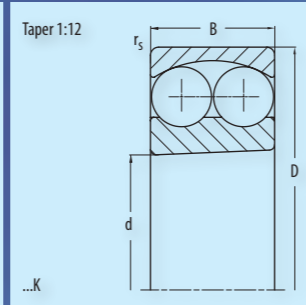
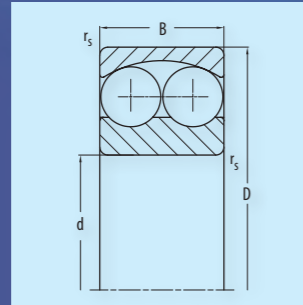
Dynamic equivalent loading	
	At a load ratio
$P = F_r + Y_1 * F_a$	$\frac{F_a}{F_r} \leq e$
$P = 0,65 * F_r + Y_2 * F_a$	$\frac{F_a}{F_r} > e$
P	Dynamic equivalent loading for radial and axial load
F_r	Dynamic radial load
F_a	Dynamic axial load
e, Y₁, Y₂	Factors according to bearing table

Static equivalent loading

In order to evaluate static structural safety for combined loading equivalent radial load has to be calculated as follows:

Static equivalent loading	
$P_0 = F_{0r} + Y_0 * F_{0a}$	
P₀	Static equivalent loading for radial and axial load
F_{0r}	Static radial load
F_{0a}	Static axial load
Y₀	Factor according to bearing table

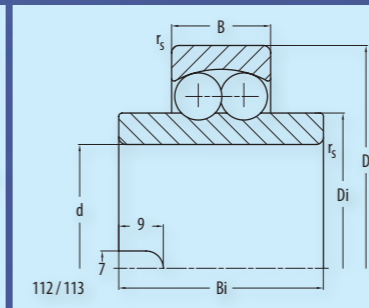
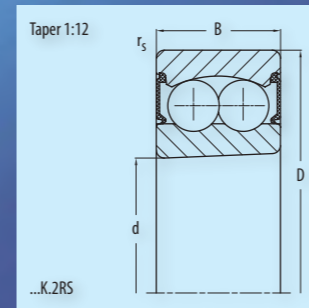
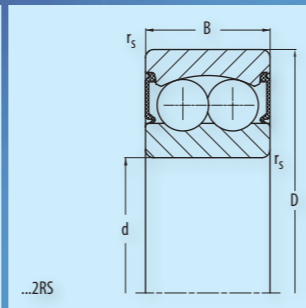
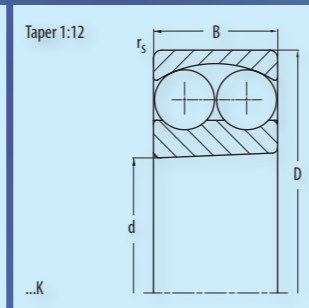
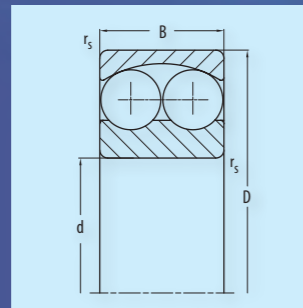
Self-aligning ball bearings
with cylindrical and taper bore



Self-aligning ball bearings
with cylindrical and taper bore

Shaft	Dimension (mm)						Load rating (kN)		Calculation factors				Speed limit (min ⁻¹)		Code	Weight (kg)
	d	D	B	r _s	Bi	Di	C	C ₀	e	Y ₁	Y ₂	Y ₀	Grease	Oil	Bearing	
				min												
20	20	47	14	1			10	2,65	0,28	2,24	3,46	2,34	15 000	18 000	1204TV	0,117
	20	47	18	1			14,3	3,55	0,44	1,45	2,24	1,51	14 000	17 000	2204TV	0,136
	20	47	18	1			10	2,65	0,28	2,24	3,46	2,34	11 000		2204.2RS.TV	0,148
	20	52	15	1,1			12,5	3,35	0,29	2,17	3,35	2,27	13 000	16 000	1304TV	0,164
	20	52	15	1,1			12,5	3,35	0,29	2,17	3,35	2,27	13 000	16 000	1304K.TV	0,164
	20	52	21	1,1			18	4,65	0,51	1,23	1,9	1,29	13 000	16 000	2304J	0,226
25	25	52	15	1			12,2	3,35	0,27	2,37	3,66	2,48	13 000	16 000	1205TV	0,137
	25	52	15	1			12,2	3,35	0,27	2,37	3,66	2,48	13 000	16 000	1205K.TV	0,137
	25	52	15	1	44	33,3	12,2	3,35	0,27	2,37	3,66	2,48	8 000	10 000	11205TV	0,227
	25	52	18	1			17	4,4	0,35	1,78	2,75	1,86	13 000	16 000	2205TV	0,159
	25	52	18	1			12,2	3,35	0,27	2,37	3,66	2,48	9 500		2205.2RS.TV	0,162
	25	52	18	1			17	4,4	0,35	1,78	2,75	1,86	13 000	16 000	2205K.TV	0,159
	25	52	18	1			12,2	3,35	0,27	2,37	3,66	2,48	9 500		2205K.2RS.TV	0,162
	25	62	17	1,1			18	5	0,28	2,29	3,54	2,4	11 000	14 000	1305TV	0,262
	25	62	17	1,1			18	5	0,28	2,29	3,54	2,4	11 000	14 000	1305K.TV	0,262
	25	62	24	1,1			24,5	6,55	0,48	1,32	2,04	1,38	10 000	13 000	2305TV	0,335
	25	62	24	1,1			18	5	0,28	2,29	3,54	2,4	8 000		2305.2RS.TV	0,361
	25	62	24	1,1			24,5	6,55	0,48	1,32	2,04	1,38	10 000	13 000	2305K.TV	0,335
30	30	62	16	1			15,6	4,65	0,25	2,5	3,9	2,7	11 000	14 000	1206TV	0,220
	30	62	16	1			15,6	4,65	0,25	2,5	3,9	2,7	11 000	14 000	1206K.TV	0,220
	30	62	16	1	48	40,1	15,6	4,65	0,25	2,5	3,9	2,7	6 700	8 500	11206TV	0,365
	30	62	20	1			25,5	6,95	0,3	2,1	3,3	2,2	9 500	12 000	2206TV	0,259
	30	62	20	1			15,6	4,65	0,25	2,5	3,9	2,7	8 000		2206.2RS.TV	0,268
	30	62	20	1			25,5	6,95	0,3	2,1	3,3	2,2	9 500	12 000	2206K.TV	0,259
	30	62	20	1			15,6	4,65	0,25	2,5	3,9	2,7	8 000		2206K.2RS.TV	0,268
	30	72	19	1,1			21,2	6,3	0,26	2,4	3,7	2,5	9 000	11 000	1306TV	0,408
	30	72	19	1,1			21,2	6,3	0,26	2,4	3,7	2,5	9 000	11 000	1306K.TV	0,408
	30	72	19	1,1	52	45	21,2	6,3	0,26	2,4	3,7	2,5	5 600	7 000	11306TV	0,636
	30	72	27	1,1			31,5	8,65	0,45	1,4	2,2	1,5	8 500	10 000	2306TV	0,552
	30	72	27	1,1			21,2	6,3	0,26	2,4	3,7	2,5	6 700		2306.2RS.TV	0,574
30	72	27	1,1			31,5	8,65	0,45	1,4	2,2	1,5	8 500	10 000	2306K.TV	0,552	
30	72	27	1,1			21,2	6,3	0,26	2,4	3,7	2,5	6 700		2306K.2RS.TV	0,574	

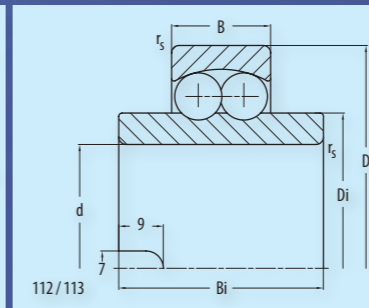
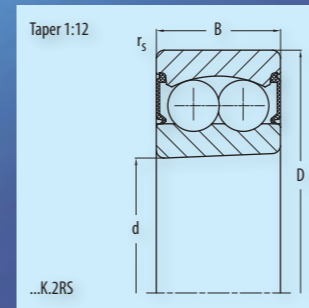
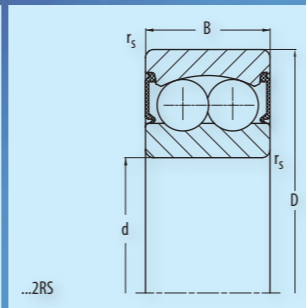
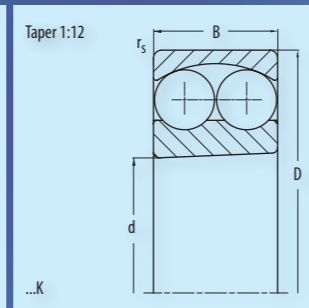
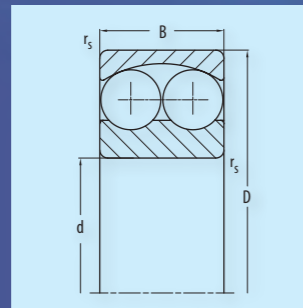
Self-aligning ball bearings
with cylindrical and taper bore



Self-aligning ball bearings
with cylindrical and taper bore

Shaft	Dimension (mm)						Load rating (kN)		Calculation factors				Speed limit (min ⁻¹)		Code	Weight (kg)
	d	D	B	r _s	Bi	Di	C	C ₀	e	Y ₁	Y ₂	Y ₀	Grease	Oil	Bearing	
				min												
35	35	72	17	1,1			16	5,2	0,22	2,8	4,3	2,9	9 500	12 000	1207TV	0,329
	35	72	17	1,1			16	5,2	0,22	2,8	4,3	2,9	9 500	12 000	1207K.TV	0,329
	35	72	17	1,1	52	47,7	16	5,2	0,22	2,8	4,3	2,9	6 000	7 500	11207TV	0,552
	35	72	23	1,1			32	9	0,3	2,1	3,3	2,2	8 000	9 500	2207TV	0,404
	35	72	23	1,1			16	5,2	0,22	2,8	4,3	2,9	7 000		2207.2RS.TV	0,434
	35	72	23	1,1			32	9	0,3	2,1	3,3	2,2	8 000	9 500	2207K.TV	0,404
	35	72	23	1,1			16	5,2	0,22	2,8	4,3	2,9	7 000		2207K.2RS.TV	0,434
	35	80	21	1,5			25	8	0,26	2,5	3,8	2,6	8 000	9 500	1307TV	0,535
	35	80	21	1,5			25	8	0,26	2,5	3,8	2,6	8 000	9 500	1307K.TV	0,535
	35	80	21	1,5	56	51,85	25	8	0,26	2,5	3,8	2,6	5 000	6 300	11307TV	0,802
	35	80	31	1,5			39	11,2	0,47	1,4	2,1	1,4	7 500	9 000	2307TV	0,743
	35	80	31	1,5			25	8	0,26	2,5	3,8	2,6	6 000		2307.2RS.TV	0,789
	35	80	31	1,5			39	11,2	0,47	1,4	2,1	1,4	7 500	9 000	2307K.TV	0,743
	35	80	31	1,5			25	8	0,26	2,5	3,8	2,6	6 000		2307K.2RS.TV	0,789
40	40	80	18	1,1			19,3	6,55	0,22	2,9	4,5	3	8 500	10 000	1208TV	0,417
	40	80	18	1,1			19,3	6,55	0,22	2,9	4,5	3	8 500	10 000	1208K.TV	0,417
	40	80	18	1,1	56	54	19,3	6,55	0,22	2,9	4,5	3	5 300	6 700	11208TV	0,726
	40	80	23	1,1			31,5	9,5	0,26	2,4	3,8	2,5	7 500	9 000	2208TV	0,488
	40	80	23	1,1			19,3	6,55	0,22	2,9	4,5	3	6 300		2208.2RS.TV	0,515
	40	80	23	1,1			31,5	9,5	0,26	2,4	3,8	2,5	7 500	9 000	2208K.TV	0,488
	40	80	23	1,1			19,3	6,55	0,22	2,9	4,5	3	6 300		2208K.2RS.TV	0,515
	40	90	23	1,5			29	9,65	0,25	2,5	3,9	2,6	7 000	8 500	1308TV	0,742
	40	90	23	1,5			29	9,65	0,25	2,5	3,9	2,6	7 000	8 500	1308K.TV	0,742
	40	90	23	1,5	58	57,7	29	9,65	0,25	2,5	3,9	2,6	4 500	5 600	11308TV	1,11
	40	90	33	1,5			45	13,4	0,43	1,5	2,3	1,5	6 700	8 000	2308TV	1,00
	40	90	33	1,5			29	9,65	0,25	2,5	3,9	2,6	5 300		2308.2RS.TV	1,05
	40	90	33	1,5			45	13,4	0,43	1,5	2,3	1,5	6 700	8 000	2308K.TV	1,00
	40	90	33	1,5			29	9,65	0,25	2,5	3,9	2,6	5 300		2308K.2RS.TV	1,05
45	45	85	19	1,1			22	7,35	0,21	3	4,7	3,2	7 500	9 000	1209TV	0,463
	45	85	19	1,1			22	7,35	0,21	3	4,7	3,2	7 500	9 000	1209K.TV	0,463
	45	85	19	1,1	58	57,7	22	7,35	0,21	3	4,7	3,2	4 800	6 000	11209TV	0,781
	45	85	23	1,1			28	9	0,26	2,4	3,8	2,5	7 000	8 500	2209TV	0,527
	45	85	23	1,1			22	7,35	0,21	3	4,7	3,2	5 600		2209.2RS.TV	0,543
	45	85	23	1,1			28	9	0,26	2,4	3,8	2,5	7 000	8 500	2209K.TV	0,527
	45	85	23	1,1			22	7,35	0,21	3	4,7	3,2	5 600		2209K.2RS.TV	0,543

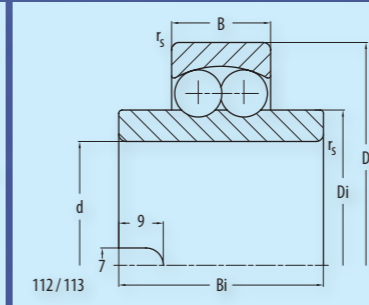
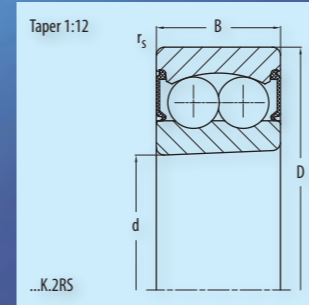
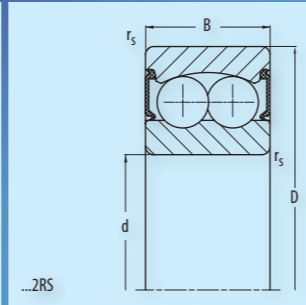
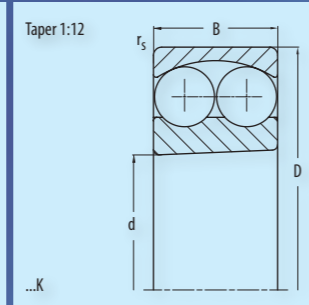
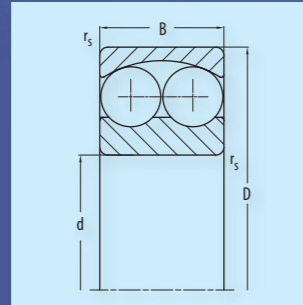
Self-aligning ball bearings
with cylindrical and taper bore



Self-aligning ball bearings
with cylindrical and taper bore

Shaft	Dimension (mm)						Load rating (kN)		Calculation factors				Speed limit (min ⁻¹)		Code	Weight (kg)				
	d	D	B	r _s	Bi	Di	C	C ₀	e	Y ₁	Y ₂	Y ₀	Grease	Oil	Bearing					
				min													dyn.	stat.	F _a /F _r <e	F _a /F _r >e
45	45	100	25	1,5			38	12,9	0,25	2,5	3,9	2,6	6 300	7 500	1309TV	0,994				
	45	100	25	1,5			38	12,9	0,25	2,5	3,9	2,6	6 300	7 500	1309K.TV	0,994				
	45	100	25	1,5	60	63,85	38	12,9	0,25	2,5	3,9	2,6	3 800	4 800	11309TV	1,44				
	45	100	36	1,5			54	16,3	0,43	1,5	2,3	1,6	6 000	7 000	2309TV	1,32				
	45	100	36	1,5			38	12,9	0,25	2,5	3,9	2,6	4 800		2309.2RS.TV	1,40				
	45	100	36	1,5			54	16,3	0,43	1,5	2,3	1,6	6 000	7 000	2309K.TV	1,32				
	45	100	36	1,5			38	12,9	0,25	2,5	3,9	2,6	4 800		2309K.2RS.TV	1,40				
50	50	90	20	1,1			22,8	8,15	0,2	3,2	4,9	3,3	7 000	8 500	1210TV	0,531				
	50	90	20	1,1			22,8	8,15	0,2	3,2	4,9	3,3	7 000	8 500	1210K.TV	0,531				
	50	90	20	1,1	58	62,7	22,8	8,15	0,2	3,2	4,9	3,3	4 500	5 600	11210TV	0,865				
	50	90	23	1,1			28	9,5	0,24	2,6	4,1	2,7	6 700	8 000	2210TV	0,567				
	50	90	23	1,1			22,8	8,15	0,2	3,2	4,9	3,3	5 300		2210.2RS.TV	0,595				
	50	90	23	1,1			28	9,5	0,24	2,6	4,1	2,7	6 700	8 000	2210K.TV	0,567				
	50	90	23	1,1			22,8	8,15	0,2	3,2	4,9	3,3	5 300		2210K.2RS.TV	0,595				
	50	110	27	2			41,5	14,3	0,24	2,6	4	2,7	5 600	6 700	1310TV	1,29				
	50	110	27	2			41,5	14,3	0,24	2,6	4	2,7	5 600	6 700	1310K.TV	1,29				
	50	110	27	2	62	70,3	41,5	14,3	0,24	2,6	4	2,7	3 600	4 500	11310TV	1,81				
	50	110	40	2			64	20	0,43	1,5	2,3	1,5	5 300	6 300	2310TV	1,78				
	50	110	40	2			41,5	14,3	0,24	2,6	4	2,7	4 300		2310.2RS.TV	1,89				
	50	110	40	2			64	20	0,43	1,5	2,3	1,5	5 300	6 300	2310K.TV	1,78				
50	110	40	2			41,5	14,3	0,24	2,6	4	2,7	4 300		2310K.2RS.TV	1,89					
55	55	100	21	1,5			27	10	0,19	3,3	5,1	3,5	6 300	7 500	1211TV	0,693				
	55	100	21	1,5			27	10	0,19	3,3	5,1	3,5	6 300	7 500	1211K.TV	0,693				
	55	100	21	1,5	60	69,5	27	10	0,19	3,3	5,1	3,5	4 000	5 000	11211TV	1,13				
	55	100	25	1,5			39	12,7	0,22	2,9	4,5	3,1	5 600	6 700	2211TV	0,763				
	55	100	25	1,5			27	10	0,19	3,3	5,1	3,5	4 800		2211.2RS.TV	0,796				
	55	100	25	1,5			39	12,7	0,22	2,9	4,5	3,1	5 600	6 700	2211K.TV	0,763				
	55	100	25	1,5			27	10	0,19	3,3	5,1	3,5	4 800		2211K.2RS.TV	0,796				
	55	120	29	2			51	18	0,24	2,7	4,1	2,8	5 000	6 000	1311TV	1,64				
	55	120	29	2			51	18	0,24	2,7	4,1	2,8	5 000	6 000	1311K.TV	1,64				
	55	120	43	2			75	23,6	0,42	1,5	2,3	1,6	4 800	5 600	2311TV	2,29				
	55	120	43	2			51	18	0,24	2,7	4,1	2,8	3 800		2311.2RS.TV	2,37				
55	120	43	2			75	23,6	0,42	1,5	2,3	1,6	4 800	5 600	2311K.TV	2,29					
55	120	43	2			51	18	0,24	2,7	4,1	2,8	3 800		2311K.2RS.TV	2,37					
60	60	110	22	1,5			30	11,6	0,18	3,5	5,4	3,6	5 600	6 700	1212TV	0,902				
	60	110	22	1,5			30	11,6	0,18	3,5	5,4	3,6	5 600	6 700	1212K.TV	0,902				

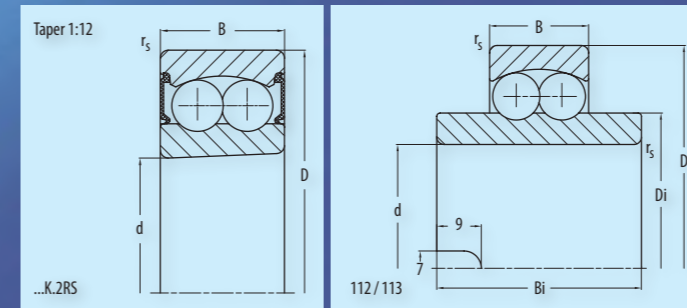
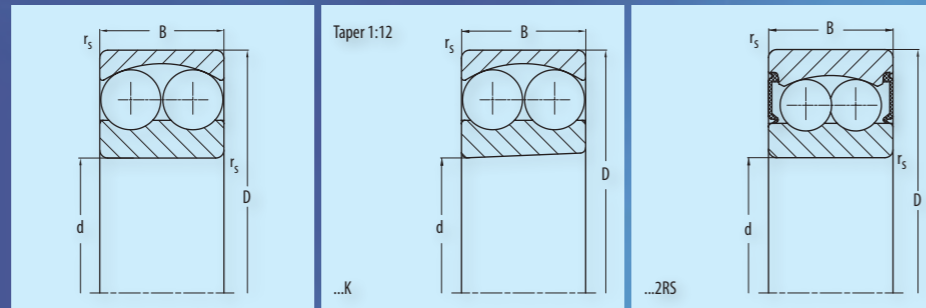
Self-aligning ball bearings
with cylindrical and taper bore



Self-aligning ball bearings
with cylindrical and taper bore

Shaft	Dimension (mm)						Load rating (kN)		Calculation factors				Speed limit (min ⁻¹)		Code	Weight (kg)
	d	D	B	r _s	Bi	Di	C	C ₀	e	Y ₁	Y ₂	Y ₀	Grease	Oil	Bearing	
				min												
60	60	110	22	1,5	60	78	30	11,6	0,18	3,5	5,4	3,6	3 600	4 500	11212TV	1,51
	60	110	28	1,5			47,5	16,6	0,23	2,7	4,2	2,8	5 300	6 300	2212TV	1,08
	60	110	28	1,5			30	11,6	0,18	3,5	5,4	3,6	4 300		2212.2RS.TV	1,11
	60	110	28	1,5			47,5	16,6	0,23	2,7	4,2	2,8	5 300	6 300	2212K.TV	1,08
	60	110	28	1,5			30	11,6	0,18	3,5	5,4	3,6	4 300		2212K.2RS.TV	1,11
	60	130	31	2,1			57	20,8	0,23	2,8	4,3	2,9	4 500	5 300	1312TV	2,03
	60	130	31	2,1			57	20,8	0,23	2,8	4,3	2,9	4 500	5 300	1312K.TV	2,03
	60	130	46	2,1			86,5	28	0,41	1,6	2,4	1,6	4 300	5 000	2312TV	2,83
65	65	120	23	1,5			31	12,5	0,18	3,6	5,5	3,7	5 300	6 300	1213TV	1,15
	65	120	23	1,5			31	12,5	0,18	3,6	5,5	3,7	5 300	6 300	1213K.TV	1,15
	65	120	31	1,5			57	19,3	0,23	2,8	4,3	2,9	4 500	5 300	2213TV	1,40
	65	120	31	1,5			31	12,5	0,18	3,6	5,5	3,7	3 600		2213.2RS.TV	1,43
	65	120	31	1,5			57	19,3	0,23	2,8	4,3	2,9	4 500	5 300	2213K.TV	1,40
	65	120	31	1,5			31	12,5	0,18	3,6	5,5	3,7	3 600		2213K.2RS.TV	1,43
	65	140	33	2,1			62	22,8	0,23	2,8	4,3	2,9	4 300	5 000	1313TV	2,52
	65	140	33	2,1			62	22,8	0,23	2,8	4,3	2,9	4 300	5 000	1313K.TV	2,52
70	65	140	48	2,1			95	32,5	0,39	1,6	2,5	1,7	4 000	4 800	2313TV	3,43
	65	140	48	2,1			95	32,5	0,39	1,6	2,5	1,7	4 000	4 800	2313K.TV	3,43
	70	125	24	1,5			34,5	13,7	0,19	3,4	5,2	3,5	5 000	6 000	1214TV	1,29
	70	125	24	1,5			34,5	13,7	0,19	3,4	5,2	3,5	5 000	6 000	1214K.TV	1,29
	70	125	31	1,5			44	17	0,27	2,3	3,6	2,5	4 800	5 600	2214J	1,59
	70	125	31	1,5			34,5	13,7	0,19	3,4	5,2	3,5	3 900		2214.2RS.TV	1,63
	70	125	31	1,5			44	17	0,27	2,3	3,6	2,5	4 800	5 600	2214K.J	1,59
	70	125	31	1,5			34,5	13,7	0,19	3,4	5,2	3,5	3 900		2214K.2RS.TV	1,63
75	70	150	35	2,1			75	27,5	0,23	2,8	4,3	2,9	4 000	4 800	1314M	3,00
	70	150	35	2,1			75	27,5	0,23	2,8	4,3	2,9	4 000	4 800	1314K.M	3,00
	70	150	51	2,1			110	37,5	0,38	1,7	2,6	1,7	3 600	4 300	2314M	4,00
	70	150	51	2,1			110	37,5	0,38	1,7	2,6	1,7	3 600	4 300	2314K.M	4,00
	75	130	25	1,5			39	15,6	0,17	3,6	5,6	3,8	4 800	5 600	1215TV	1,39
	75	130	25	1,5			39	15,6	0,17	3,6	5,6	3,8	4 800	5 600	1215K.TV	1,39
	75	130	31	1,5			44	18	0,26	2,5	3,8	2,6	4 500	5 300	2215TV	1,67
	75	130	31	1,5			44	18	0,26	2,5	3,8	2,6	4 500	5 300	2215K.TV	1,67
75	75	160	37	2,1			80	30	0,23	2,8	4,3	2,9	3 600	4 300	1315M	3,68
	75	160	37	2,1			80	30	0,23	2,8	4,3	2,9	3 600	4 300	1315K.M	3,68

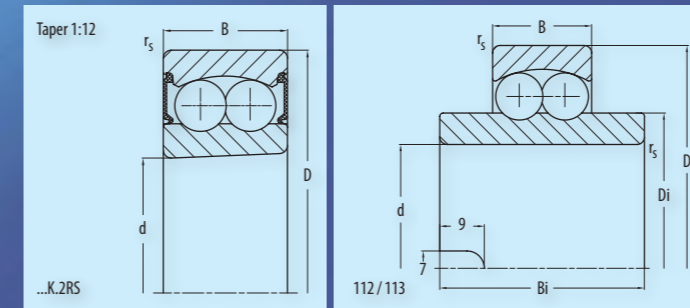
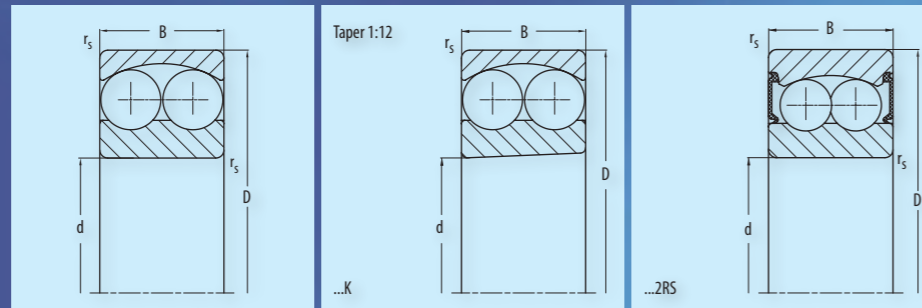
Self-aligning ball bearings
with cylindrical and taper bore



Self-aligning ball bearings
with cylindrical and taper bore

Shaft	Dimension (mm)						Load rating (kN)		Calculation factors				Speed limit (min ⁻¹)		Code	Weight (kg)				
	d	D	B	r _s	Bi	Di	C	C ₀	e	Y ₁	Y ₂	Y ₀	Grease	Oil	Bearing					
				min													dyn.	stat.	F _a /F _r <e	F _a /F _r >e
75	75	160	55	2,1			122	42,5	0,38	1,6	2,5	1,7	3 400	4 000	2315M	5,20				
	75	160	55	2,1			122	42,5	0,38	1,6	2,5	1,7	3 400	4 000	2315K.M	5,20				
80	80	140	26	2			40	17	0,16	3,9	6	4,1	4 300	5 000	1216TV	1,70				
	80	140	26	2			40	17	0,16	3,9	6	4,1	4 300	5 000	1216K.TV	1,70				
	80	140	33	2			51	21,2	0,25	2,5	3,8	2,6	4 300	5 000	2216TV	2,13				
	80	140	33	2			51	21,2	0,25	2,5	3,8	2,6	4 300	5 000	2216K.TV	2,13				
	80	170	39	2,1			88	32,5	0,22	2,9	4,4	3	3 400	4 000	1316M	4,29				
	80	170	39	2,1			88	32,5	0,22	2,9	4,4	3	3 400	4 000	1316K.M	4,29				
	80	170	58	2,1			137	48	0,37	1,7	2,6	1,8	3 200	3 800	2316M	6,44				
	80	170	58	2,1			137	48	0,37	1,7	2,6	1,8	3 200	3 800	2316K.M	6,44				
85	85	150	28	2			49	20,4	0,17	3,7	5,8	3,9	4 000	4 800	1217TV	2,13				
	85	150	28	2			49	20,4	0,17	3,7	5,8	3,9	4 000	4 800	1217K.TV	2,13				
	85	150	36	2			58,5	23,6	0,26	2,5	3,8	2,6	4 000	4 800	2217M	2,61				
	85	150	36	2			58,5	23,6	0,26	2,5	3,8	2,6	4 000	4 800	2217K.M	2,61				
	85	180	41	3			98	38	0,22	2,8	4,5	3	3 200	3 800	1317M	5,10				
	85	180	41	3			98	38	0,22	2,8	4,5	3	3 200	3 800	1317K.M	5,10				
	85	180	60	3			140	51	0,37	1,7	2,6	1,8	3 000	3 600	2317M	7,47				
	85	180	60	3			140	51	0,37	1,7	2,6	1,8	3 000	3 600	2317K.M	7,47				
90	90	160	30	2			57	23,6	0,17	3,7	5,8	3,9	3 800	4 500	1218TV	2,59				
	90	160	30	2			57	23,6	0,17	3,7	5,8	3,9	3 800	4 500	1218K.TV	2,59				
	90	160	40	2			71	28,5	0,27	2,3	3,6	2,4	3 600	4 300	2218TV	3,34				
	90	160	40	2			71	28,5	0,27	2,3	3,6	2,4	3 600	4 300	2218K.TV	3,34				
	90	190	43	3			108	43	0,22	2,8	4,4	3	3 000	3 600	1318M	6,04				
	90	190	43	3			108	43	0,22	2,8	4,4	3	3 000	3 600	1318K.M	6,04				
	90	190	64	3			153	57	0,39	1,6	2,5	1,7	2 800	3 400	2318M	8,82				
	90	190	64	3			153	57	0,39	1,6	2,5	1,7	2 800	3 400	2318K.M	8,82				
95	95	170	32	2,1			64	27	0,17	3,7	5,8	3,9	3 400	4 000	1219M	3,15				
	95	170	32	2,1			64	27	0,17	3,7	5,8	3,9	3 400	4 000	1219K.M	3,15				
	95	170	43	2,1			83	34	0,27	2,3	3,6	2,4	3 400	4 000	2219M	4,32				
	95	170	43	2,1			83	34	0,27	2,3	3,6	2,4	3 400	4 000	2219K.M	4,32				
	95	200	45	3			132	51	0,23	2,7	4,2	2,9	2 800	3 400	1319M	7,17				
	95	200	45	3			132	51	0,23	2,7	4,2	2,9	2 800	3 400	1319K.M	7,17				
	95	200	67	3			163	64	0,38	1,7	2,6	1,7	2 600	3 200	2319M	10,3				
	95	200	67	3			163	64	0,38	1,7	2,6	1,7	2 600	3 200	2319K.M	10,3				

Self-aligning ball bearings
with cylindrical and taper bore



Self-aligning ball bearings
with cylindrical and taper bore

Shaft	Dimension (mm)						Load rating (kN)		Calculation factors				Speed limit (min ⁻¹)		Code	Weight (kg)
	d	D	B	rs	Bi	Di	C	C ₀	e	Y ₁	Y ₂	Y ₀	Grease	Oil		
				min			dyn.	stat.		F _a /F _r <e	F _a /F _r >e					
100	100	180	34	2,1			69,5	30	0,18	3,6	5,5	3,8	3 200	3 800	1220M	3,79
	100	180	34	2,1			69,5	30	0,18	3,6	5,5	3,8	3 200	3 800	1220K.M	3,79
	100	180	46	2,1			98	40,5	0,27	2,3	3,6	2,4	3 200	3 800	2220M	5,22
	100	180	46	2,1			98	40,5	0,27	2,3	3,6	2,4	3 200	3 800	2220K.M	5,22
	100	215	73	3			193	78	0,38	1,7	2,6	1,8	2 400	3 000	2320M	12,9
	100	215	73	3			193	78	0,38	1,7	2,6	1,8	2 400	3 000	2320K.M	12,9
110	110	200	38	2,1			90	38,6	0,17	3,6	5,6	3,8	3 200	3 600	1222M	5,37
	110	200	38	2,1			90	38,6	0,17	3,6	5,6	3,8	3 200	3 600	1222K.M	5,29
120	120	215	42	2,1			120	51,9	0,2	3,1	4,8	3,3	3 000	3 400	1224M	7,12

Cylindrical roller bearings, single-row

Single-row cylindrical roller bearings can be dismantled and thus facilitate mounting and demounting. The manufacturer SLF produces cylindrical roller bearings in the versions NU., NJ., NUP. and N.. The cylindrical roller bearings and bearing components as abutment rings (HJ) are also available in special versions as RNU, NUB, NJP, NU+HJ, NJ+HJ as well as single inner rings (L..) if needed with fitted washer disc in versions LNJ, LNU, LNJP and LNUP.

In order to prevent damage by current passage we recommend current insulated cylindrical roller bearings (suffix J20A, J20A1, J20B).

The NU design consists of an outer ring with two guide flanges and an inner ring without guide flange and is a floating bearing. The bearing can be dismantled.

The NJ design consists of an outer ring with two guide flanges and an inner ring with one guide flange so that the bearing can accept axial forces in one direction.

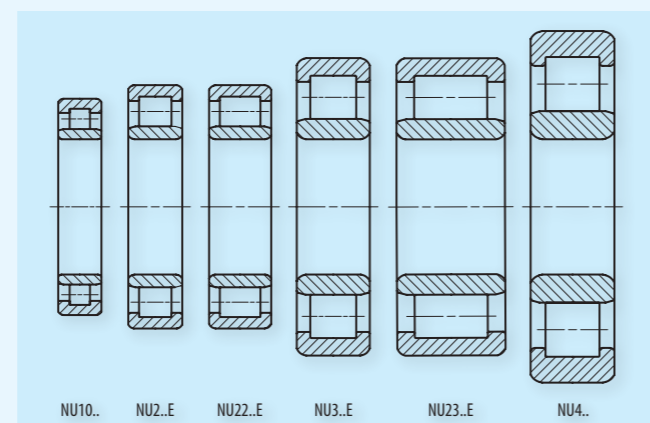
The NUP design consists of an outer ring with two guide flanges and an inner ring with a fixed guide flange and a washer disc. The bearings are used as fixed bearings to accept alternately acting axial forces.

The N design consists of an inner ring with two guide flanges and an outer ring without guide flange and is a floating bearing. The bearing can be dismantled.

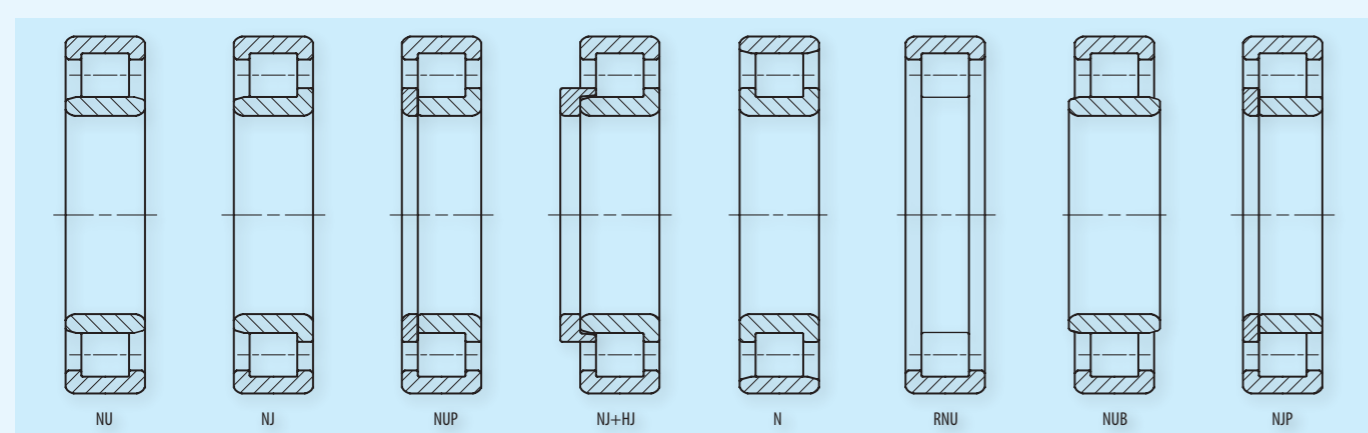
The NJ+HJ design consists of a NJ-bearing combined with an abutment ring. Single-row cylindrical roller bearings are produced in series 10, 2..E, 22..E, 3..E, 23..E and 4.



Cylindrical roller bearing



Designs cylindrical roller bearings, single-row



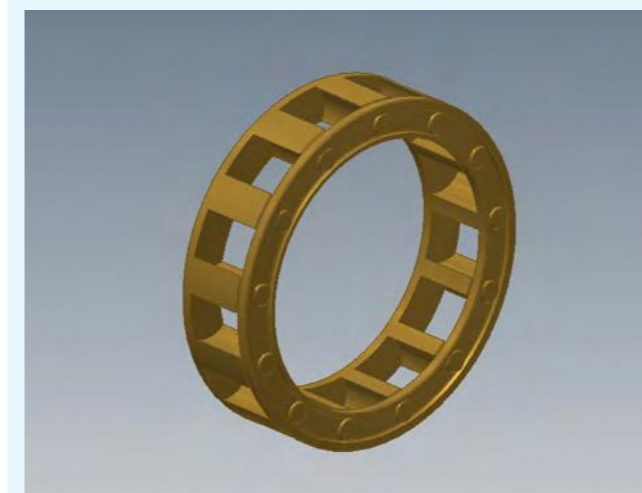
Series cylindrical roller bearings, single-row

Cages

The standard version of cylindrical roller bearings has a cage of fiber-glass reinforced polyamide 66 (suffix TVP2). Bearings with such a cage can be used up to a temperature of 120 °C for a longer period of time. The oil of the oil lubrication system contains additives which may affect the service life of the cage. In addition, the bearings are offered with riveted brass cage (M1, M1A). Sheet-metal cages (J) are optionally available (on request).



TVP-cage



Brass cage

Heat treatment

Cylindrical roller bearings have been heat treated so that they can be used up to an operating temperature of 150°C. Bearings with an outer diameter more than 120 mm maintain the accurate dimensions up to 200°C. Brass cages, for instance, should be used for temperatures above 120°C.

Tolerances

The standard cylindrical roller bearing is supplied with standard tolerance. Bearings with the tolerances P6, P5 and P4 are also available on request.

Bearing clearance

The standard cylindrical roller bearing is provided with standard radial clearance (CN). Other radial clearance designs are possible on customer's request. Bearings with indicated radial clearance, e.g. R15.25 cannot be exchanged.

Other designs

Cylindrical roller bearings are also available with current insulation up to 1000 Volts. In addition, cylindrical roller bearings can also be supplied in the „LONGLIFE“ version on request. Bearings of this design have a dynamical load rating which is approx. 18% higher as compared with the standard bearings according to the SLF catalogue. Bearing and package are marked with „LONGLIFE“.

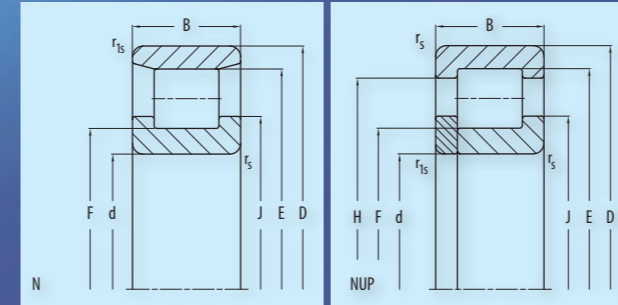
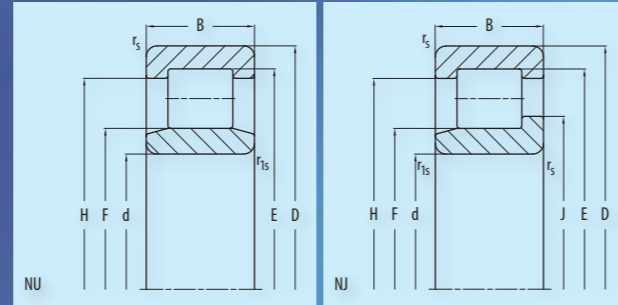
Norms

Cylindrical roller bearings, single-row

DIN 5412-1

Cylindrical roller bearings

single-row



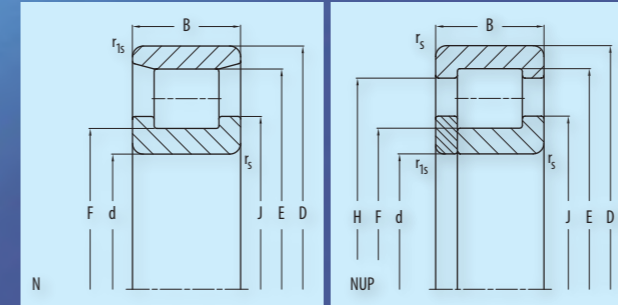
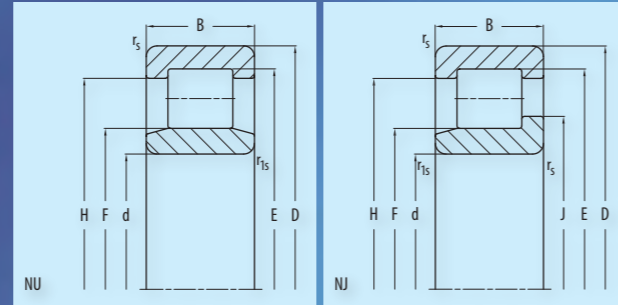
Cylindrical roller bearings

single-row

Shaft	Dimension (mm)									Load rating (kN)		Speed limit (min ⁻¹)		Code	Weight (kg)
	d	D	B	r _s	r _{1s}	E	F	H	J	C	C ₀	Grease	Oil	Bearing	
				min	min					dyn.	stat.				
17	17	40	12	0,6	0,3	35,1	22,1	32,5		17,6	14,6	15 000	18 000	NU203E.TVP2	0,069
	17	40	12	0,6	0,3	35,1	22,1	32,5		17,6	14,6	15 000	18 000	NU203E.M1	0,079
	17	40	12	0,6	0,3	35,1	22,1	32,5		17,6	14,6	15 000	18 000	NU203E.M1A	0,079
	17	40	12	0,6	0,3	35,1	22,1	32,5	24,7	17,6	14,6	15 000	18 000	NJ203E.TVP2	0,070
	17	40	12	0,6	0,3	35,1	22,1	32,5	24,7	17,6	14,6	15 000	18 000	NJ203E.M1	0,090
	17	40	12	0,6	0,3	35,1	22,1	32,5	24,7	17,6	14,6	15 000	18 000	NJ203E.M1A	0,090
	17	40	12	0,6	0,3	35,1	22,1	32,5	24,7	17,6	14,6	15 000	18 000	NUP203E.TVP2	0,073
	17	40	12	0,6	0,3	35,1	22,1	32,5	24,7	17,6	14,6	15 000	18 000	NUP203E.M1	0,093
	17	40	12	0,6	0,3	35,1	22,1	32,5	24,7	17,6	14,6	15 000	18 000	NUP203E.M1A	0,093
	17	40	16	0,6	0,6	35,1	22,1	32,5		24	22	15 000	18 000	NU2203E.TVP2	0,092
	17	40	16	0,6	0,6	35,1	22,1	32,5		24	22	15 000	18 000	NU2203E.M1	0,112
	17	40	16	0,6	0,6	35,1	22,1	32,5		24	22	15 000	18 000	NU2203E.M1A	0,112
	17	40	16	0,6	0,6	35,1	22,1	32,5	24,7	24	22	15 000	18 000	NJ2203E.TVP2	0,095
	17	40	16	0,6	0,6	35,1	22,1	32,5	24,7	24	22	15 000	18 000	NJ2203E.M1	0,115
	17	40	16	0,6	0,6	35,1	22,1	32,5	24,7	24	22	15 000	18 000	NJ2203E.M1A	0,115
	17	40	16	0,6	0,6	35,1	22,1	32,5	24,7	24	22	15 000	18 000	NUP2203E.TVP2	0,097
	17	40	16	0,6	0,6	35,1	22,1	32,5	24,7	24	22	15 000	18 000	NUP2203E.M1	0,117
17	40	16	0,6	0,6	35,1	22,1	32,5	24,7	24	22	15 000	18 000	NUP2203E.M1A	0,117	
17	47	14	1	1,1	40,2	24,2	37,1			25,5	21,2	13 000	16 000	NU303E.TVP2	0,120
17	47	14	1	1,1	40,2	24,2	37,1			25,5	21,2	13 000	16 000	NU303E.M1	0,130
17	47	14	1	1,1	40,2	24,2	37,1			25,5	21,2	13 000	16 000	NU303E.M1A	0,130
17	47	14	1	1,1	40,2	24,2	37,1	27,6		25,5	21,2	13 000	16 000	NJ303E.TVP2	0,123
17	47	14	1	1,1	40,2	24,2	37,1	27,6		25,5	21,2	13 000	16 000	NJ303E.M1	0,143
17	47	14	1	1,1	40,2	24,2	37,1	27,6		25,5	21,2	13 000	16 000	NJ303E.M1A	0,143
17	47	14	1	1,1	40,2	24,2	37,1	27,6		25,5	21,2	13 000	16 000	NUP303E.TVP2	0,126
17	47	14	1	1,1	40,2	24,2	37,1	27,6		25,5	21,2	13 000	16 000	NUP303E.M1	0,146
17	47	14	1	1,1	40,2	24,2	37,1	27,6		25,5	21,2	13 000	16 000	NUP303E.M1A	0,146

Cylindrical roller bearings

single-row



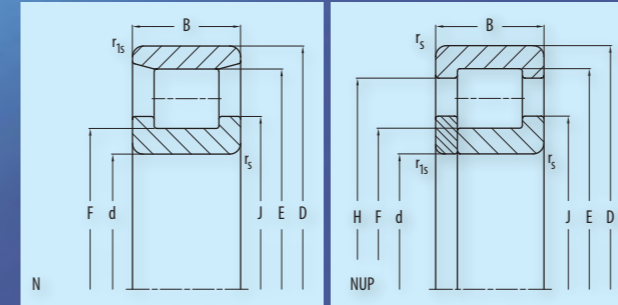
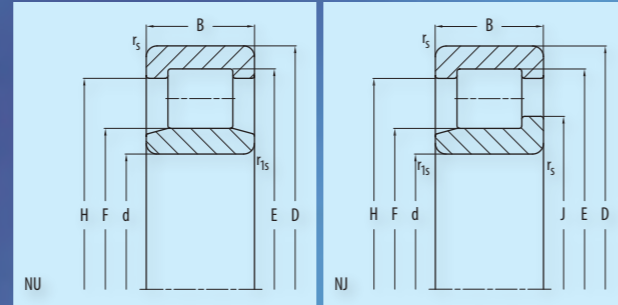
Cylindrical roller bearings

single-row

Shaft	Dimension (mm)									Load rating (kN)		Speed limit (min ⁻¹)		Code	Weight (kg)	
	d	D	B	r _s	r _{1s}	E	F	H	J	C	C ₀	Grease	Oil	Bearing		
				min	min					dyn.	stat.					
20	20	47	14	1	0,6	41,5	26,5		29,7	27,5	24,5	13 000	16 000	N204E.TVP2	0,112	
	20	47	14	1	0,6	41,5	26,5	38,8		27,5	24,5	13 000	16 000	NU204E.TVP2	0,114	
	20	47	14	1	0,6	41,5	26,5	38,8		27,5	24,5	13 000	16 000	NU204E.M1	0,124	
	20	47	14	1	0,6	41,5	26,5	38,8		27,5	24,5	13 000	16 000	NU204E.M1A	0,124	
	20	47	14	1	0,6	41,5	26,5	38,8	29,7	27,5	24,5	13 000	16 000	NJ204E.TVP2	0,117	
	20	47	14	1	0,6	41,5	26,5	38,8	29,7	27,5	24,5	13 000	16 000	NJ204E.M1	0,127	
	20	47	14	1	0,6	41,5	26,5	38,8	29,7	27,5	24,5	13 000	16 000	NJ204E.M1A	0,127	
	20	47	14	1	0,6	41,5	26,5	38,8	29,7	27,5	24,5	13 000	16 000	NUP204E.TVP2	0,118	
	20	47	14	1	0,6	41,5	26,5	38,8	29,7	27,5	24,5	13 000	16 000	NUP204E.M1	0,128	
	20	47	14	1	0,6	41,5	26,5	38,8	29,7	27,5	24,5	13 000	16 000	NUP204E.M1A	0,128	
	20	47	18	1	0,6	41,5	26,5	38,8			32,5	31	13 000	16 000	NU2204E.TVP2	0,146
	20	47	18	1	0,6	41,5	26,5	38,8			32,5	31	13 000	16 000	NU2204E.M1	0,166
	20	47	18	1	0,6	41,5	26,5	38,8			32,5	31	13 000	16 000	NU2204E.M1A	0,166
	20	47	18	1	0,6	41,5	26,5	38,8	29,7		32,5	31	13 000	16 000	NJ2204E.TVP2	0,150
	20	47	18	1	0,6	41,5	26,5	38,8	29,7		32,5	31	13 000	16 000	NJ2204E.M1	0,170
	20	47	18	1	0,6	41,5	26,5	38,8	29,7		32,5	31	13 000	16 000	NJ2204E.M1A	0,170
	20	47	18	1	0,6	41,5	26,5	38,8	29,7		32,5	31	13 000	16 000	NUP2204E.TVP2	0,154
	20	47	18	1	0,6	41,5	26,5	38,8	29,7		32,5	31	13 000	16 000	NUP2204E.M1	0,174
	20	47	18	1	0,6	41,5	26,5	38,8	29,7		32,5	31	13 000	16 000	NUP2204E.M1A	0,174
	20	52	15	1,1	0,6	45,5	27,5			31,3	31,5	27	11 000	14 000	N304E.TVP2	0,152
	20	52	15	1,1	0,6	45,5	27,5		42,4		31,5	27	11 000	14 000	NU304E.TVP2	0,153
	20	52	15	1,1	0,6	45,5	27,5		42,4		31,5	27	11 000	14 000	NU304E.M1	0,165
	20	52	15	1,1	0,6	45,5	27,5		42,4		31,5	27	11 000	14 000	NU304E.M1A	0,165
	20	52	15	1,1	0,6	45,5	27,5		42,4	31,3	31,5	27	11 000	14 000	NJ304E.TVP2	0,156
	20	52	15	1,1	0,6	45,5	27,5		42,4	31,3	31,5	27	11 000	14 000	NJ304E.M1	0,169
	20	52	15	1,1	0,6	45,5	27,5		42,4	31,3	31,5	27	11 000	14 000	NJ304E.M1A	0,169
	20	52	15	1,1	0,6	45,5	27,5		42,4	31,3	31,5	27	11 000	14 000	NUP304E.TVP2	0,160
	20	52	15	1,1	0,6	45,5	27,5		42,4	31,3	31,5	27	11 000	14 000	NUP304E.M1	0,173
	20	52	15	1,1	0,6	45,5	27,5		42,4	31,3	31,5	27	11 000	14 000	NUP304E.M1A	0,173

Cylindrical roller bearings

single-row



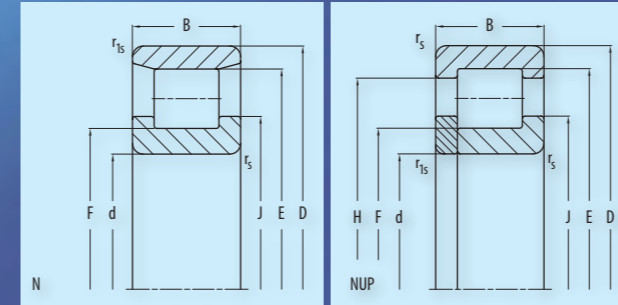
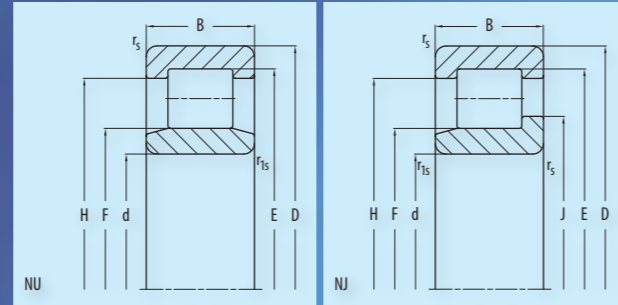
Cylindrical roller bearings

single-row

Shaft	Dimension (mm)									Load rating (kN)		Speed limit (min ⁻¹)		Code	Weight (kg)
	d	D	B	r _s	r _{1s}	E	F	H	J	C	C ₀	Grease	Oil	Bearing	
				min	min					dyn.	stat.				
20	20	52	21	1,1	0,6	45,5	27,5	42,4		41,5	39	11 000	14 000	NU2304E.TVP2	0,215
	20	52	21	1,1	0,6	45,5	27,5	42,4		41,5	39	11 000	14 000	NU2304E.M1	0,235
	20	52	21	1,1	0,6	45,5	27,5	42,4		41,5	39	11 000	14 000	NU2304E.M1A	0,235
	20	52	21	1,1	0,6	45,5	27,5	42,4	31,3	41,5	39	11 000	14 000	NJ2304E.TVP2	0,219
	20	52	21	1,1	0,6	45,5	27,5	42,4	31,3	41,5	39	11 000	14 000	NJ2304E.M1	0,246
	20	52	21	1,1	0,6	45,5	27,5	42,4	31,3	41,5	39	11 000	14 000	NJ2304E.M1A	0,246
	20	52	21	1,1	0,6	45,5	27,5	42,4	31,3	41,5	39	11 000	14 000	NUP2304E.TVP2	0,224
	20	52	21	1,1	0,6	45,5	27,5	42,4	31,3	41,5	39	11 000	14 000	NUP2304E.M1	0,246
	20	52	21	1,1	0,6	45,5	27,5	42,4	31,3	41,5	39	11 000	14 000	NUP2304E.M1A	0,246
25	25	47	12	0,6	0,3	41,5	30,5	39,3		13,4	12	15 000	28 000	NU1005M1	0,083
	25	52	15	1	0,6	46,5	31,5		34,7	29	27,5	12 000	15 000	N205E.TVP2	0,135
	25	52	15	1	0,6	46,5	31,5	43,8		29	27,5	12 000	15 000	NU205E.TVP2	0,137
	25	52	15	1	0,6	46,5	31,5	43,8		29	27,5	12 000	15 000	NU205E.M1	0,150
	25	52	15	1	0,6	46,5	31,5	43,8		29	27,5	12 000	15 000	NU205E.M1A	0,150
	25	52	15	1	0,6	46,5	31,5	43,8	34,7	29	27,5	12 000	15 000	NJ205E.TVP2	0,140
	25	52	15	1	0,6	46,5	31,5	43,8	34,7	29	27,5	12 000	15 000	NJ205E.M1	0,155
	25	52	15	1	0,6	46,5	31,5	43,8	34,7	29	27,5	12 000	15 000	NJ205E.M1A	0,155
	25	52	15	1	0,6	46,5	31,5	43,8	34,7	29	27,5	12 000	15 000	NUP205E.TVP2	0,145
	25	52	15	1	0,6	46,5	31,5	43,8	34,7	29	27,5	12 000	15 000	NUP205E.M1	0,160
	25	52	15	1	0,6	46,5	31,5	43,8	34,7	29	27,5	12 000	15 000	NUP205E.M1A	0,160
	25	52	18	1	0,6	46,5	31,5		34,7	34,5	34,5	12 000	15 000	N2205E.M1	0,182
	25	52	18	1	0,6	46,5	31,5	43,8		34,5	34,5	12 000	15 000	NU2205E.TVP2	0,164
	25	52	18	1	0,6	46,5	31,5	43,8		34,5	34,5	12 000	15 000	NU2205E.M1	0,180
	25	52	18	1	0,6	46,5	31,5	43,8		34,5	34,5	12 000	15 000	NU2205E.M1A	0,180
	25	52	18	1	0,6	46,5	31,5	43,8	34,7	34,5	34,5	12 000	15 000	NJ2205E.TVP2	0,169
	25	52	18	1	0,6	46,5	31,5	43,8	34,7	34,5	34,5	12 000	15 000	NJ2205E.M1	0,191
	25	52	18	1	0,6	46,5	31,5	43,8	34,7	34,5	34,5	12 000	15 000	NJ2205E.M1A	0,191
	25	52	18	1	0,6	46,5	31,5	43,8	34,7	34,5	34,5	12 000	15 000	NUP2205E.TVP2	0,174
	25	52	18	1	0,6	46,5	31,5	43,8	34,7	34,5	34,5	12 000	15 000	NUP2205E.M1	0,196
	25	52	18	1	0,6	46,5	31,5	43,8	34,7	34,5	34,5	12 000	15 000	NUP2205E.M1A	0,196

Cylindrical roller bearings

single-row



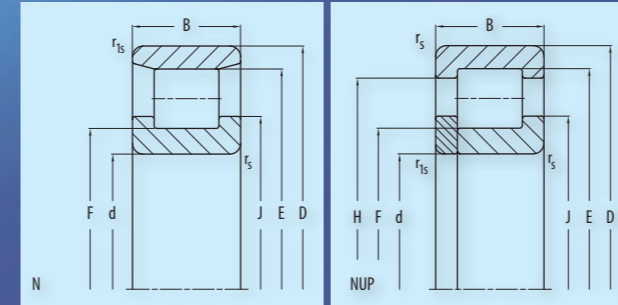
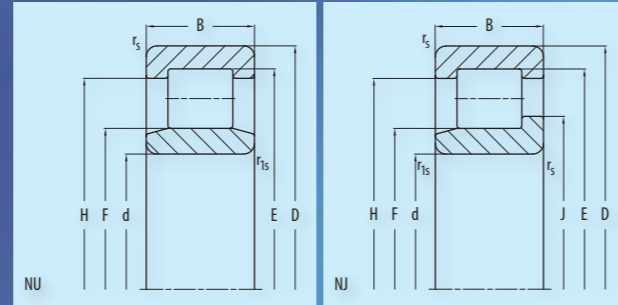
Cylindrical roller bearings

single-row

Shaft	Dimension (mm)									Load rating (kN)		Speed limit (min ⁻¹)		Code	Weight (kg)	
	d	D	B	r _s	r _{1s}	E	F	H	J	C	C ₀	Grease	Oil	Bearing		
				min	min					dyn.	stat.					
25	25	62	17	1,1	1,1	54	34		38,1		41,5	37,5	9 500	12 000	N305E.TVP2	0,243
	25	62	17	1,1	1,1	54	34	50,6			41,5	37,5	9 500	12 000	NU305E.TVP2	0,245
	25	62	17	1,1	1,1	54	34	50,6			41,5	37,5	9 500	12 000	NU305E.M1	0,268
	25	62	17	1,1	1,1	54	34	50,6			41,5	37,5	9 500	12 000	NU305E.M1A	0,268
	25	62	17	1,1	1,1	54	34	50,6	38,1		41,5	37,5	9 500	12 000	NJ305E.TVP2	0,250
	25	62	17	1,1	1,1	54	34	50,6	38,1		41,5	37,5	9 500	12 000	NJ305E.M1	0,294
	25	62	17	1,1	1,1	54	34	50,6	38,1		41,5	37,5	9 500	12 000	NJ305E.M1A	0,294
	25	62	17	1,1	1,1	54	34	50,6	38,1		41,5	37,5	9 500	12 000	NUP305E.TVP2	0,256
	25	62	17	1,1	1,1	54	34	50,6	38,1		41,5	37,5	9 500	12 000	NUP305E.M1	0,285
	25	62	17	1,1	1,1	54	34	50,6	38,1		41,5	37,5	9 500	12 000	NUP305E.M1A	0,285
	25	62	24	1,1	1,1	54	34	50,6			57	56	9 500	12 000	NU2305E.TVP2	0,349
	25	62	24	1,1	1,1	54	34	50,6			57	56	9 500	12 000	NU2305E.M1	0,384
	25	62	24	1,1	1,1	54	34	50,6			57	56	9 500	12 000	NU2305E.M1A	0,384
	25	62	24	1,1	1,1	54	34	50,6	38,1		57	56	9 500	12 000	NJ2305E.TVP2	0,356
	25	62	24	1,1	1,1	54	34	50,6	38,1		57	56	9 500	12 000	NJ2305E.M1	0,391
	25	62	24	1,1	1,1	54	34	50,6	38,1		57	56	9 500	12 000	NJ2305E.M1A	0,391
	25	62	24	1,1	1,1	54	34	50,6	38,1		57	56	9 500	12 000	NUP2305E.TVP2	0,363
	25	62	24	1,1	1,1	54	34	50,6	38,1		57	56	9 500	12 000	NUP2305E.M1	0,398
25	62	24	1,1	1,1	54	34	50,6	38,1		57	56	9 500	12 000	NUP2305E.M1A	0,398	
30	30	55	13	1	0,6	48,5	36,5	46,1			16,6	16	12 000	15 000	NU1006M1	0,135
	30	55	13	1	0,6	48,5	36,5	46,1	38,75		16,6	16	12 000	15 000	NUP1006M1	0,142
	30	62	16	1	0,6	55,5	37,5		41,3		39	37,5	9 500	12 000	N206E.TVP2	0,206
	30	62	16	1	0,6	55,5	37,5	52,5			39	37,5	9 500	12 000	NU206E.TVP2	0,208
	30	62	16	1	0,6	55,5	37,5	52,5			39	37,5	9 500	12 000	NU206E.M1	0,230
	30	62	16	1	0,6	55,5	37,5	52,5			39	37,5	9 500	12 000	NU206E.M1A	0,230
	30	62	16	1	0,6	55,5	37,5	52,5	41,3		39	37,5	9 500	12 000	NJ206E.TVP2	0,213
	30	62	16	1	0,6	55,5	37,5	52,5	41,3		39	37,5	9 500	12 000	NJ206E.M1	0,233
	30	62	16	1	0,6	55,5	37,5	52,5	41,3		39	37,5	9 500	12 000	NJ206E.M1A	0,233
	30	62	16	1	0,6	55,5	37,5	52,5	41,3		39	37,5	9 500	12 000	NUP206E.TVP2	0,219
	30	62	16	1	0,6	55,5	37,5	52,5	41,3		39	37,5	9 500	12 000	NUP206E.M1	0,239
	30	62	16	1	0,6	55,5	37,5	52,5	41,3		39	37,5	9 500	12 000	NUP206E.M1A	0,239

Cylindrical roller bearings

single-row



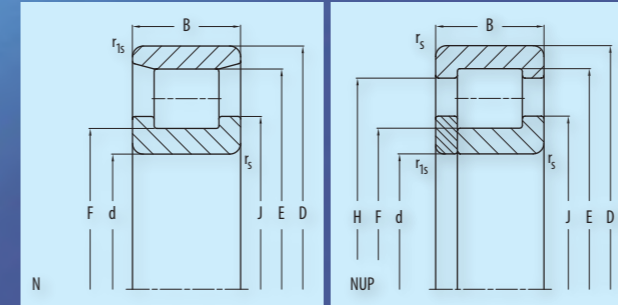
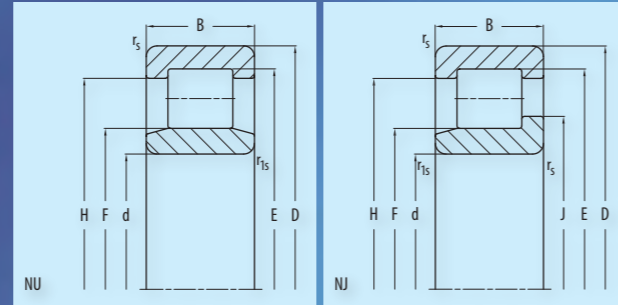
Cylindrical roller bearings

single-row

Shaft	Dimension (mm)									Load rating (kN)		Speed limit (min ⁻¹)		Code	Weight (kg)	
	d	D	B	r _s	r _{1s}	E	F	H	J	C	C ₀	Grease	Oil	Bearing		
				min	min					dyn.	stat.					
30	30	62	20	1	0,6	55,5	37,5		41,3		49	50	9 500	12 000	N2206E.M1	0,287
	30	62	20	1	0,6	55,5	37,5	52,5		49	50	9 500	12 000	NU2206E.TVP2	0,255	
	30	62	20	1	0,6	55,5	37,5	52,5		49	50	9 500	12 000	NU2206E.M1	0,288	
	30	62	20	1	0,6	55,5	37,5	52,5		49	50	9 500	12 000	NU2206E.M1A	0,288	
	30	62	20	1	0,6	55,5	37,5	52,5	41,3	49	50	9 500	12 000	NJ2206E.TVP2	0,261	
	30	62	20	1	0,6	55,5	37,5	52,5	41,3	49	50	9 500	12 000	NJ2206E.M1	0,287	
	30	62	20	1	0,6	55,5	37,5	52,5	41,3	49	50	9 500	12 000	NJ2206E.M1A	0,287	
	30	62	20	1	0,6	55,5	37,5	52,5	41,3	49	50	9 500	12 000	NUP2206E.TVP2	0,219	
	30	62	20	1	0,6	55,5	37,5	52,5	41,3	49	50	9 500	12 000	NUP2206E.M1	0,235	
	30	62	20	1	0,6	55,5	37,5	52,5	41,3	49	50	9 500	12 000	NUP2206E.M1A	0,235	
	30	72	19	1,1	1,1	62,5	40,5			45	51	48	8 500	10 000	N306E.TVP2	0,366
	30	72	19	1,1	1,1	62,5	40,5	59,2			51	48	8 500	10 000	NU306E.TVP2	0,368
	30	72	19	1,1	1,1	62,5	40,5	59,2			51	48	8 500	10 000	NU306E.M1	0,404
	30	72	19	1,1	1,1	62,5	40,5	59,2			51	48	8 500	10 000	NU306E.M1A	0,404
	30	72	19	1,1	1,1	62,5	40,5	59,2	45		51	48	8 500	10 000	NJ306E.TVP2	0,376
	30	72	19	1,1	1,1	62,5	40,5	59,2	45		51	48	8 500	10 000	NJ306E.M1	0,412
	30	72	19	1,1	1,1	62,5	40,5	59,2	45		51	48	8 500	10 000	NJ306E.M1A	0,412
	30	72	19	1,1	1,1	62,5	40,5	59,2	45		51	48	8 500	10 000	NUP306E.TVP2	0,385
	30	72	19	1,1	1,1	62,5	40,5	59,2	45		51	48	8 500	10 000	NUP306E.M1	0,420
	30	72	19	1,1	1,1	62,5	40,5	59,2	45		51	48	8 500	10 000	NUP306E.M1A	0,420
	30	72	27	1,1	1,1	62,5	40,5	59,2			73,5	75	8 500	10 000	NU2306E.TVP2	0,529
	30	72	27	1,1	1,1	62,5	40,5	59,2			73,5	75	8 500	10 000	NU2306E.M1	0,581
	30	72	27	1,1	1,1	62,5	40,5	59,2			73,5	75	8 500	10 000	NU2306E.M1A	0,581
	30	72	27	1,1	1,1	62,5	40,5	59,2	45		73,5	75	8 500	10 000	NJ2306E.TVP2	0,540
	30	72	27	1,1	1,1	62,5	40,5	59,2	45		73,5	75	8 500	10 000	NJ2306E.M1	0,594
	30	72	27	1,1	1,1	62,5	40,5	59,2	45		73,5	75	8 500	10 000	NJ2306E.M1A	0,594
	30	72	27	1,1	1,1	62,5	40,5	59,2	45		73,5	75	8 500	10 000	NUP2306E.TVP2	0,551
	30	72	27	1,1	1,1	62,5	40,5	59,2	45		73,5	75	8 500	10 000	NUP2306E.M1	0,594
	30	72	27	1,1	1,1	62,5	40,5	59,2	45		73,5	75	8 500	10 000	NUP2306E.M1A	0,594
	30	90	23	1,5	1,5	73	45	68,4			71	64	7 000	8 500	NU406J	0,750
30	90	23	1,5	1,5	73	45	68,4			71	64	7 000	8 500	NU406M1	0,770	
30	90	23	1,5	1,5	73	45	68,4	50,3		71	64	7 000	8 500	NJ406J	0,770	
30	90	23	1,5	1,5	73	45	68,4	50,3		71	64	7 000	8 500	NJ406M1	0,790	
35	35	62	14	1	0,6	55	42	52,4		24,5	26	11 000	20 000	NU1007M1	0,180	
	35	62	14	1	0,6	55	42	52,4	44,6	24,5	26	11 000	20 000	NUP1007M1	0,190	

Cylindrical roller bearings

single-row



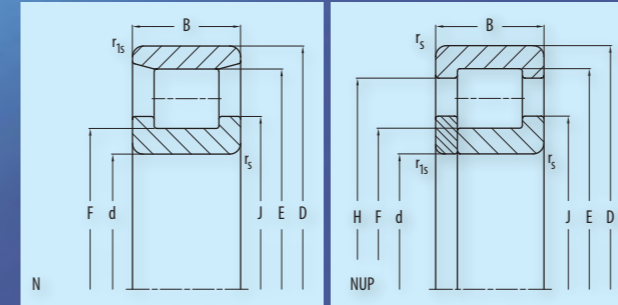
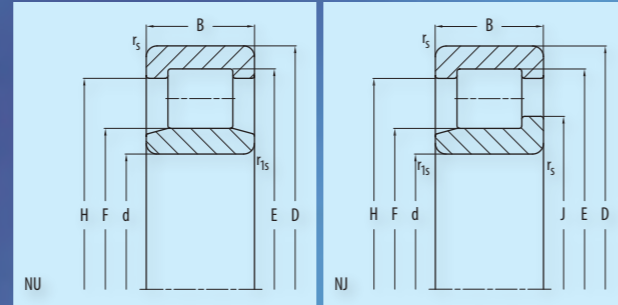
Cylindrical roller bearings

single-row

Shaft	Dimension (mm)									Load rating (kN)		Speed limit (min ⁻¹)		Code	Weight (kg)	
	d	D	B	r _s	r _{1s}	E	F	H	J	C	C ₀	Grease	Oil	Bearing		
				min	min					dyn.	stat.					
35	35	72	17	1,1	0,6	64	44		48		50	50	8 500	10 000	N207E.TVP2	0,295
	35	72	17	1,1	0,6	64	44	61		50	50	8 500	10 000	NU207E.TVP2	0,300	
	35	72	17	1,1	0,6	64	44	61		50	50	8 500	10 000	NU207E.M1	0,330	
	35	72	17	1,1	0,6	64	44	61		50	50	8 500	10 000	NU207E.M1A	0,330	
	35	72	17	1,1	0,6	64	44	61	48	50	50	8 500	10 000	NJ207E.TVP2	0,309	
	35	72	17	1,1	0,6	64	44	61	48	50	50	8 500	10 000	NJ207E.M1	0,340	
	35	72	17	1,1	0,6	64	44	61	48	50	50	8 500	10 000	NJ207E.M1A	0,340	
	35	72	17	1,1	0,6	64	44	61	48	50	50	8 500	10 000	NUP207E.TVP2	0,317	
	35	72	17	1,1	0,6	64	44	61	48	50	50	8 500	10 000	NUP207E.M1	0,348	
	35	72	17	1,1	0,6	64	44	61	48	50	50	8 500	10 000	NUP207E.M1A	0,348	
	35	72	23	1,1	0,6	64	44			48	62	65,5	8 500	10 000	N2207E.M1	0,445
	35	72	23	1,1	0,6	64	44	61			62	65,5	8 500	10 000	NU2207E.TVP2	0,406
	35	72	23	1,1	0,6	64	44	61			62	65,5	8 500	10 000	NU2207E.M1	0,446
	35	72	23	1,1	0,6	64	44	61			62	65,5	8 500	10 000	NU2207E.M1A	0,446
	35	72	23	1,1	0,6	64	44	61	48		62	65,5	8 500	10 000	NJ2207E.TVP2	0,416
	35	72	23	1,1	0,6	64	44	61	48		62	65,5	8 500	10 000	NJ2207E.M1	0,454
	35	72	23	1,1	0,6	64	44	61	48		62	65,5	8 500	10 000	NJ2207E.M1A	0,454
	35	72	23	1,1	0,6	64	44	61	48		62	65,5	8 500	10 000	NUP2207E.TVP2	0,427
	35	72	23	1,1	0,6	64	44	61	48		62	65,5	8 500	10 000	NUP2207E.M1	0,465
	35	72	23	1,1	0,6	64	44	61	48		62	65,5	8 500	10 000	NUP2207E.M1A	0,465
	35	80	21	1,5	1,1	70,2	46,2			51	64	63	7 500	9 000	N307E.TVP2	0,488
	35	80	21	1,5	1,1	70,2	46,2	66,6			64	63	7 500	9 000	NU307E.TVP2	0,486
	35	80	21	1,5	1,1	70,2	46,2	66,6			64	63	7 500	9 000	NU307E.M1	0,532
	35	80	21	1,5	1,1	70,2	46,2	66,6			64	63	7 500	9 000	NU307E.M1A	0,532
	35	80	21	1,5	1,1	70,2	46,2	66,6	51		64	63	7 500	9 000	NJ307E.TVP2	0,496
	35	80	21	1,5	1,1	70,2	46,2	66,6	51		64	63	7 500	9 000	NJ307E.M1	0,547
	35	80	21	1,5	1,1	70,2	46,2	66,6	51		64	63	7 500	9 000	NJ307E.M1A	0,547
	35	80	21	1,5	1,1	70,2	46,2	66,6	51		64	63	7 500	9 000	NUP307E.TVP2	0,506
	35	80	21	1,5	1,1	70,2	46,2	66,6	51		64	63	7 500	9 000	NUP307E.M1	0,557
	35	80	21	1,5	1,1	70,2	46,2	66,6	51		64	63	7 500	9 000	NUP307E.M1A	0,557

Cylindrical roller bearings

single-row



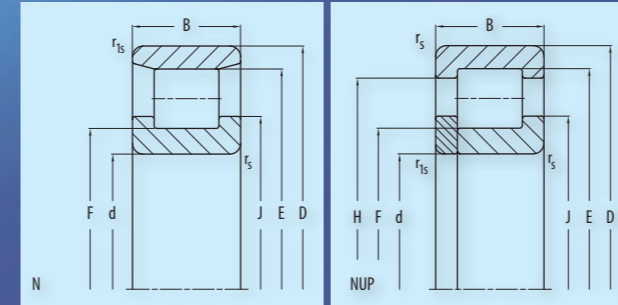
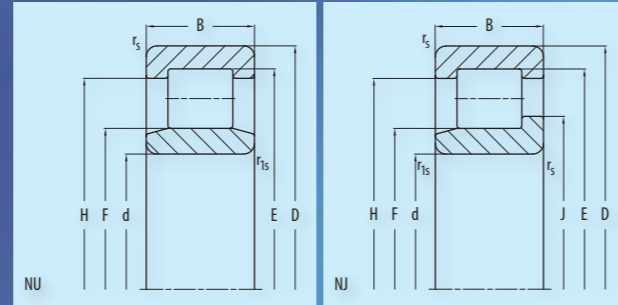
Cylindrical roller bearings

single-row

Shaft	Dimension (mm)									Load rating (kN)		Speed limit (min ⁻¹)		Code	Weight (kg)	
	d	D	B	r _s	r _{1s}	E	F	H	J	C	C ₀	Grease	Oil	Bearing		
				min	min					dyn.	stat.					
35	35	80	31	1,5	1,1	70,2	46,2	66,6		91,5	98	7 500	9 000	NU2307E.TVP2	0,723	
	35	80	31	1,5	1,1	70,2	46,2	66,6		91,5	98	7 500	9 000	NU2307E.M1	0,795	
	35	80	31	1,5	1,1	70,2	46,2	66,6		91,5	98	7 500	9 000	NU2307E.M1A	0,795	
	35	80	31	1,5	1,1	70,2	46,2	66,6	51	91,5	98	7 500	9 000	NJ2307E.TVP2	0,736	
	35	80	31	1,5	1,1	70,2	46,2	66,6	51	91,5	98	7 500	9 000	NJ2307E.M1	0,809	
	35	80	31	1,5	1,1	70,2	46,2	66,6	51	91,5	98	7 500	9 000	NJ2307E.M1A	0,809	
	35	80	31	1,5	1,1	70,2	46,2	66,6	51	91,5	98	7 500	9 000	NUP2307E.TVP2	0,751	
	35	80	31	1,5	1,1	70,2	46,2	66,6	51	91,5	98	7 500	9 000	NUP2307E.M1	0,809	
	35	80	31	1,5	1,1	70,2	46,2	66,6	51	91,5	98	7 500	9 000	NUP2307E.M1A	0,809	
	35	100	25	1,5	1,5	83	53	78,2			75	69,5	6 300	7 500	NU407J	1,00
	35	100	25	1,5	1,5	83	53	78,2			75	69,5	6 300	7 500	NU407M1	1,03
	35	100	25	1,5	1,5	83	53	78,2	58,8		75	69,5	6 300	7 500	NJ407J	1,03
	35	100	25	1,5	1,5	83	53	78,2	58,8		75	69,5	6 300	7 500	NJ407M1	1,05
	40	40	68	15	1	0,6	61	47	58,2		29	32	10 000	19 000	NU1008M1	0,230
40		68	15	1	0,6	61	47	58,2	49,7	29	32	10 000	19 000	NUP1008M1	0,242	
40		80	18	1,1	1,1	71,5	49,5		54	53	53	7 500	9 000	N208E.TVP2	0,358	
40		80	18	1,1	1,1	71,5	49,5		54	53	53	7 500	9 000	N208E.M1	0,417	
40		80	18	1,1	1,1	71,5	49,5	68,3		53	53	7 500	9 000	NU208E.TVP2	0,379	
40		80	18	1,1	1,1	71,5	49,5	68,3		53	53	7 500	9 000	NU208E.M1	0,440	
40		80	18	1,1	1,1	71,5	49,5	68,3		53	53	7 500	9 000	NU208E.M1A	0,440	
40		80	18	1,1	1,1	71,5	49,5	68,3	54	53	53	7 500	9 000	NJ208E.TVP2	0,390	
40		80	18	1,1	1,1	71,5	49,5	68,3	54	53	53	7 500	9 000	NJ208E.M1	0,430	
40		80	18	1,1	1,1	71,5	49,5	68,3	54	53	53	7 500	9 000	NJ208E.M1A	0,425	
40		80	18	1,1	1,1	71,5	49,5	68,3	54,1	53	53	7 500	9 000	NUP208E.TVP2	0,399	
40		80	18	1,1	1,1	71,5	49,5	68,3	54,1	53	53	7 500	9 000	NUP208E.M1	0,440	
40		80	18	1,1	1,1	71,5	49,5	68,3	54,1	53	53	7 500	9 000	NUP208E.M1A	0,440	
40		80	23	1,1	1,1	71,5	49,5		54	71	75	7 500	9 000	N2208E.TVP2	0,493	
40		80	23	1,1	1,1	71,5	49,5	68,3		71	75	7 500	9 000	NU2208E.TVP2	0,492	
40		80	23	1,1	1,1	71,5	49,5	68,3		71	75	7 500	9 000	NU2208E.M1	0,550	
40		80	23	1,1	1,1	71,5	49,5	68,3		71	75	7 500	9 000	NU2208E.M1A	0,550	
40		80	23	1,1	1,1	71,5	49,5	68,3	54	71	75	7 500	9 000	NJ2208E.TVP2	0,504	
40		80	23	1,1	1,1	71,5	49,5	68,3	54	71	75	7 500	9 000	NJ2208E.M1	0,554	
40		80	23	1,1	1,1	71,5	49,5	68,3	54	71	75	7 500	9 000	NJ2208E.M1A	0,554	
40	80	23	1,1	1,1	71,5	49,5	68,3	54	71	75	7 500	9 000	NUP2208E.TVP2	0,518		
40	80	23	1,1	1,1	71,5	49,5	68,3	54	71	75	7 500	9 000	NUP2208E.M1	0,554		
40	80	23	1,1	1,1	71,5	49,5	68,3	54	71	75	7 500	9 000	NUP2208E.M1A	0,554		

Cylindrical roller bearings

single-row



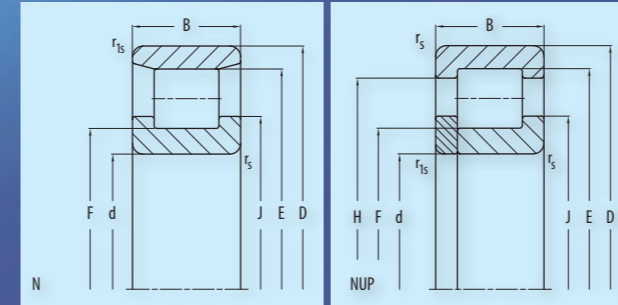
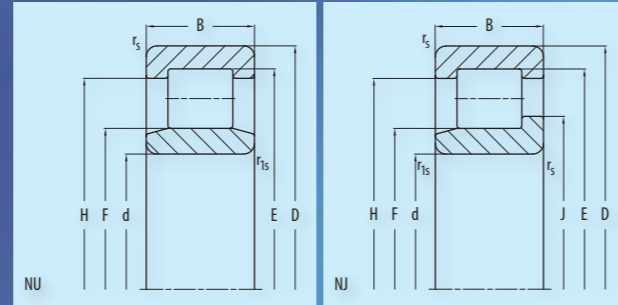
Cylindrical roller bearings

single-row

Shaft	Dimension (mm)									Load rating (kN)		Speed limit (min ⁻¹)		Code	Weight (kg)	
	d	D	B	r _s	r _{1s}	E	F	H	J	C	C ₀	Grease	Oil	Bearing		
				min	min					dyn.	stat.					
40	40	90	23	1,5	1,5	80	52		57,5		81,5	78	6 300	7 500	N308E.TVP2	0,658
	40	90	23	1,5	1,5	80	52	75,9			81,5	78	6 300	7 500	NU308E.TVP2	0,659
	40	90	23	1,5	1,5	80	52	75,9			81,5	78	6 300	7 500	NU308E.M1	0,728
	40	90	23	1,5	1,5	80	52	75,9			81,5	78	6 300	7 500	NU308E.M1A	0,728
	40	90	23	1,5	1,5	80	52	75,9	57,5		81,5	78	6 300	7 500	NJ308E.TVP2	0,674
	40	90	23	1,5	1,5	80	52	75,9	57,5		81,5	78	6 300	7 500	NJ308E.M1	0,753
	40	90	23	1,5	1,5	80	52	75,9	57,5		81,5	78	6 300	7 500	NJ308E.M1A	0,753
	40	90	23	1,5	1,5	80	52	75,9	57,5		81,5	78	6 300	7 500	NUP308E.TVP2	0,688
	40	90	23	1,5	1,5	80	52	75,9	57,5		81,5	78	6 300	7 500	NUP308E.M1	0,770
	40	90	23	1,5	1,5	80	52	75,9	57,5		81,5	78	6 300	7 500	NUP308E.M1A	0,770
	40	90	33	1,5	1,5	80	52	75,9			112	120	6 300	7 500	NU2308E.TVP2	0,958
	40	90	33	1,5	1,5	80	52	75,9			112	120	6 300	7 500	NU2308E.M1	1,15
	40	90	33	1,5	1,5	80	52	75,9			112	120	6 300	7 500	NU2308E.M1A	1,15
	40	90	33	1,5	1,5	80	52	75,9	57,5		112	120	6 300	7 500	NJ2308E.TVP2	0,978
	40	90	33	1,5	1,5	80	52	75,9	57,5		112	120	6 300	7 500	NJ2308E.M1	1,17
	40	90	33	1,5	1,5	80	52	75,9	57,5		112	120	6 300	7 500	NJ2308E.M1A	1,17
	40	90	33	1,5	1,5	80	52	75,9	57,5		112	120	6 300	7 500	NUP2308E.TVP2	0,999
	40	90	33	1,5	1,5	80	52	75,9	57,5		112	120	6 300	7 500	NUP2308E.M1	1,20
	40	90	33	1,5	1,5	80	52	75,9	57,5		112	120	6 300	7 500	NUP2308E.M1A	1,20
	40	110	27	2	2	92	58	86,4			93	86,5	5 600	6 700	NU408J	1,30
40	110	27	2	2	92	58	86,4			93	86,5	5 600	6 700	NU408M1	1,32	
40	110	27	2	2	92	58	86,4	64,6		93	86,5	5 600	6 700	NJ408J	1,32	
40	110	27	2	2	92	58	86,4	64,6		93	86,5	5 600	6 700	NJ408M1	1,35	
45	45	75	16	1	0,6	67,5	52,5	64,5			34,5	39	9 500	16 000	NU1009M1	0,280
	45	85	19	1,1	1,1	76,5	54,5		59		61	63	7 000	8 500	N209E.TVP2	0,429
	45	85	19	1,1	1,1	76,5	54,5	73,3			61	63	7 000	8 500	NU209E.TVP2	0,434
	45	85	19	1,1	1,1	76,5	54,5	73,3			61	63	7 000	8 500	NU209E.M1	0,478
	45	85	19	1,1	1,1	76,5	54,5	73,3			61	63	7 000	8 500	NU209E.M1A	0,478
	45	85	19	1,1	1,1	76,5	54,5	73,3	59		61	63	7 000	8 500	NJ209E.TVP2	0,445
	45	85	19	1,1	1,1	76,5	54,5	73,3	59		61	63	7 000	8 500	NJ209E.M1	0,489
	45	85	19	1,1	1,1	76,5	54,5	73,3	59		61	63	7 000	8 500	NJ209E.M1A	0,489
	45	85	19	1,1	1,1	76,5	54,5	73,3	59		61	63	7 000	8 500	NUP209E.TVP2	0,457
	45	85	19	1,1	1,1	76,5	54,5	73,3	59		61	63	7 000	8 500	NUP209E.M1	0,490
45	85	19	1,1	1,1	76,5	54,5	73,3	59		61	63	7 000	8 500	NUP209E.M1A	0,490	

Cylindrical roller bearings

single-row



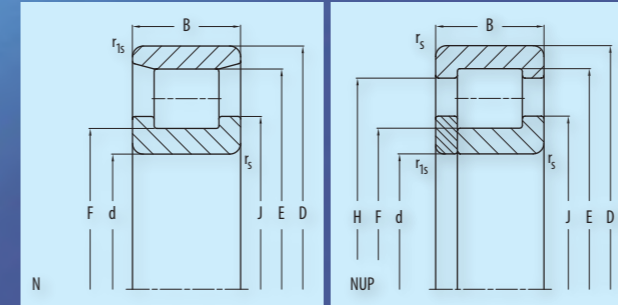
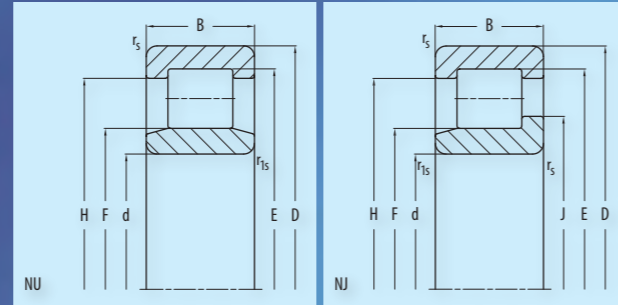
Cylindrical roller bearings

single-row

Shaft	Dimension (mm)									Load rating (kN)		Speed limit (min ⁻¹)		Code	Weight (kg)
	d	D	B	r _s	r _{1s}	E	F	H	J	C	C ₀	Grease	Oil	Bearing	
				min	min					dyn.	stat.				
45	45	85	23	1,1	1,1	76,5	54,5	73,3		73,5	81,5	7 000	8 500	NU2209E.TVP2	0,530
	45	85	23	1,1	1,1	76,5	54,5	73,3		73,5	81,5	7 000	8 500	NU2209E.M1	0,590
	45	85	23	1,1	1,1	76,5	54,5	73,3		73,5	81,5	7 000	8 500	NU2209E.M1A	0,590
	45	85	23	1,1	1,1	76,5	54,5	73,3	59	73,5	81,5	7 000	8 500	NJ2209E.TVP2	0,544
	45	85	23	1,1	1,1	76,5	54,5	73,3	59	73,5	81,5	7 000	8 500	NJ2209E.M1	0,598
	45	85	23	1,1	1,1	76,5	54,5	73,3	59	73,5	81,5	7 000	8 500	NJ2209E.M1A	0,598
	45	85	23	1,1	1,1	76,5	54,5	73,3	59	73,5	81,5	7 000	8 500	NUP2209E.TVP2	0,559
	45	85	23	1,1	1,1	76,5	54,5	73,3	59	73,5	81,5	7 000	8 500	NUP2209E.M1	0,598
	45	85	23	1,1	1,1	76,5	54,5	73,3	59	73,5	81,5	7 000	8 500	NUP2209E.M1A	0,598
	45	100	25	1,5	1,5	88,5	58,5	84,1		98	100	5 600	6 700	NU309E.TVP2	0,893
	45	100	25	1,5	1,5	88,5	58,5	84,1		98	100	5 600	6 700	NU309E.M1	0,952
	45	100	25	1,5	1,5	88,5	58,5	84,1		98	100	5 600	6 700	NU309E.M1A	0,952
	45	100	25	1,5	1,5	88,5	58,5	84,1	64,4	98	100	5 600	6 700	NJ309E.TVP2	0,913
	45	100	25	1,5	1,5	88,5	58,5	84,1	64,4	98	100	5 600	6 700	NJ309E.M1	0,980
	45	100	25	1,5	1,5	88,5	58,5	84,1	64,4	98	100	5 600	6 700	NJ309E.M1A	0,980
	45	100	25	1,5	1,5	88,5	58,5	84,1	64,5	98	100	5 600	6 700	NUP309E.TVP2	0,934
	45	100	25	1,5	1,5	88,5	58,5	84,1	64,5	98	100	5 600	6 700	NUP309E.M1	1,02
	45	100	25	1,5	1,5	88,5	58,5	84,1	64,5	98	100	5 600	6 700	NUP309E.M1A	1,02
	45	100	36	1,5	1,5	88,5	58,5	84,1		137	153	5 600	6 700	NU2309E.TVP2	1,30
	45	100	36	1,5	1,5	88,5	58,5	84,1		137	153	5 600	6 700	NU2309E.M1	1,43
	45	100	36	1,5	1,5	88,5	58,5	84,1		137	153	5 600	6 700	NU2309E.M1A	1,43
	45	100	36	1,5	1,5	88,5	58,5	84,1	64,4	137	153	5 600	6 700	NJ2309E.TVP2	1,33
	45	100	36	1,5	1,5	88,5	58,5	84,1	64,4	137	153	5 600	6 700	NJ2309E.M1	1,46
	45	100	36	1,5	1,5	88,5	58,5	84,1	64,4	137	153	5 600	6 700	NJ2309E.M1A	1,46
45	100	36	1,5	1,5	88,5	58,5	84,1	64,5	137	153	5 600	6 700	NUP2309E.TVP2	1,36	
45	100	36	1,5	1,5	88,5	58,5	84,1	64,5	137	153	5 600	6 700	NUP2309E.M1	1,49	
45	100	36	1,5	1,5	88,5	58,5	84,1	64,5	137	153	5 600	6 700	NUP2309E.M1A	1,49	
45	120	29	2	2	100,5	64,5	94,6		106	100	5 000	6 000	NU409J	1,65	
45	120	29	2	2	100,5	64,5	94,6		106	100	5 000	6 000	NU409M1	1,70	
45	120	29	2	2	100,5	64,5	94,6	71,6	106	100	5 000	6 000	NJ409J	1,70	
45	120	29	2	2	100,5	64,5	94,6	71,6	106	100	5 000	6 000	NJ409M1	1,75	

Cylindrical roller bearings

single-row



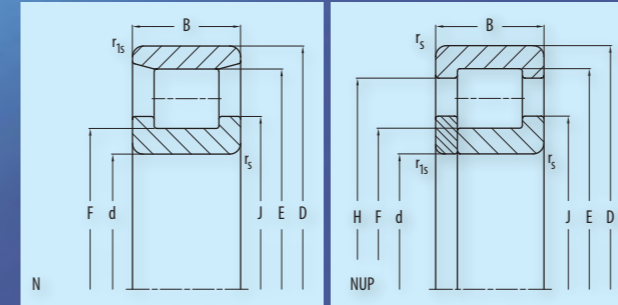
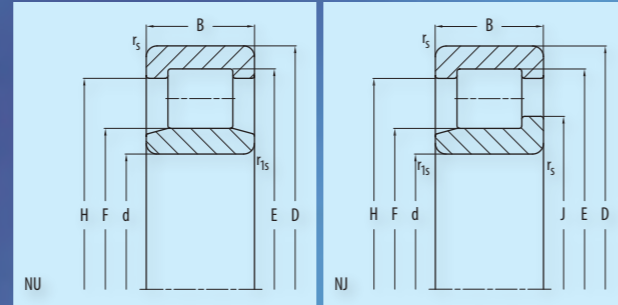
Cylindrical roller bearings

single-row

Shaft	Dimension (mm)									Load rating (kN)		Speed limit (min ⁻¹)		Code	Weight (kg)	
	d	D	B	r _s	r _{1s}	E	F	H	J	C	C ₀	Grease	Oil	Bearing		
				min	min					dyn.	stat.					
50	50	80	16	1	0,6	72,5	57,5	69,5		36	41,5	8 500	15 000	NU1010M1	0,268	
	50	90	20	1,1	1,1	81,5	59,5		64	64	68	6 700	8 000	N210E.TVP2	0,484	
	50	90	20	1,1	1,1	81,5	59,5	78,3		64	68	6 700	8 000	NU210E.TVP2	0,490	
	50	90	20	1,1	1,1	81,5	59,5	78,3		64	68	6 700	8 000	NU210E.M1	0,534	
	50	90	20	1,1	1,1	81,5	59,5	78,3		64	68	6 700	8 000	NU210E.M1A	0,534	
	50	90	20	1,1	1,1	81,5	59,5	78,3	64	64	68	6 700	8 000	NJ210E.TVP2	0,503	
	50	90	20	1,1	1,1	81,5	59,5	78,3	64	64	68	6 700	8 000	NJ210E.M1	0,553	
	50	90	20	1,1	1,1	81,5	59,5	78,3	64	64	68	6 700	8 000	NJ210E.M1A	0,553	
	50	90	20	1,1	1,1	81,5	59,5	78,3	64	64	68	6 700	8 000	NUP210E.TVP2	0,517	
	50	90	20	1,1	1,1	81,5	59,5	78,3	64	64	68	6 700	8 000	NUP210E.M1	0,567	
	50	90	20	1,1	1,1	81,5	59,5	78,3	64	64	68	6 700	8 000	NUP210E.M1A	0,567	
	50	90	23	1,1	1,1	81,5	59,5	78,3		78	88	6 700	8 000	NU2210E.TVP2	0,573	
	50	90	23	1,1	1,1	81,5	59,5	78,3		78	88	6 700	8 000	NU2210E.M1	0,630	
	50	90	23	1,1	1,1	81,5	59,5	78,3		78	88	6 700	8 000	NU2210E.M1A	0,630	
	50	90	23	1,1	1,1	81,5	59,5	78,3	64	78	88	6 700	8 000	NJ2210E.TVP2	0,590	
	50	90	23	1,1	1,1	81,5	59,5	78,3	64	78	88	6 700	8 000	NJ2210E.M1	0,650	
	50	90	23	1,1	1,1	81,5	59,5	78,3	64	78	88	6 700	8 000	NJ2210E.M1A	0,650	
	50	90	23	1,1	1,1	81,5	59,5	78,3	64	78	88	6 700	8 000	NUP2210E.TVP2	0,600	
	50	90	23	1,1	1,1	81,5	59,5	78,3	64	78	88	6 700	8 000	NUP2210E.M1	0,615	
	50	90	23	1,1	1,1	81,5	59,5	78,3	64	78	88	6 700	8 000	NUP2210E.M1A	0,615	
	50	110	27	2	2	97	65			71,3	110	114	5 300	6 300	N310E.TVP2	1,14
	50	110	27	2	2	97	65		92,5		110	114	5 300	6 300	NU310E.TVP2	1,16
	50	110	27	2	2	97	65		92,5		110	114	5 300	6 300	NU310E.M1	1,30
	50	110	27	2	2	97	65		92,5		110	114	5 300	6 300	NU310E.M1A	1,30
	50	110	27	2	2	97	65		92,5	71,3	110	114	5 300	6 300	NJ310E.TVP2	1,19
	50	110	27	2	2	97	65		92,5	71,3	110	114	5 300	6 300	NJ310E.M1	1,33
	50	110	27	2	2	97	65		92,5	71,3	110	114	5 300	6 300	NJ310E.M1A	1,33
	50	110	27	2	2	97	65		92,5	71,3	110	114	5 300	6 300	NUP310E.TVP2	1,21
	50	110	27	2	2	97	65		92,5	71,3	110	114	5 300	6 300	NUP310E.M1	1,38
	50	110	27	2	2	97	65		92,5	71,3	110	114	5 300	6 300	NUP310E.M1A	1,38

Cylindrical roller bearings

single-row



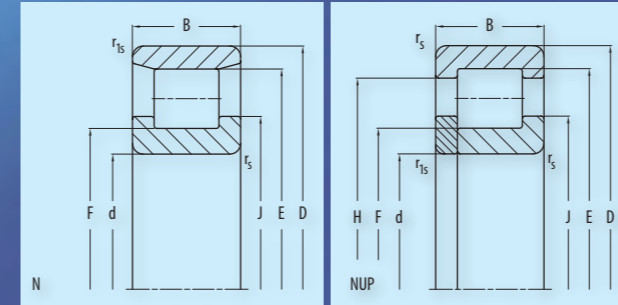
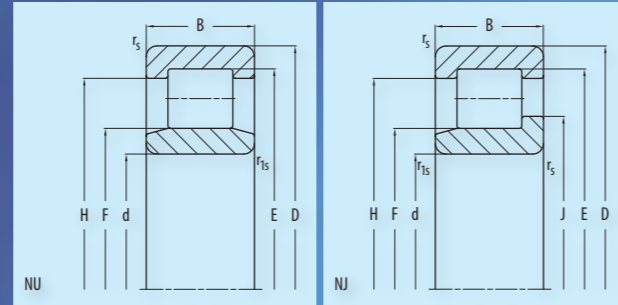
Cylindrical roller bearings

single-row

Shaft	Dimension (mm)									Load rating (kN)		Speed limit (min ⁻¹)		Code	Weight (kg)	
	d	D	B	r _s	r _{1s}	E	F	H	J	C	C ₀	Grease	Oil	Bearing		
				min	min					dyn.	stat.					
50	50	110	40	2	2	97	65	92,5		163	186	5 300	6 300	NU2310E.TVP2	1,75	
	50	110	40	2	2	97	65	92,5		163	186	5 300	6 300	NU2310E.M1	1,92	
	50	110	40	2	2	97	65	92,5		163	186	5 300	6 300	NU2310E.M1A	1,92	
	50	110	40	2	2	97	65	92,5	71,3	163	186	5 300	6 300	NJ2310E.TVP2	1,77	
	50	110	40	2	2	97	65	92,5	71,3	163	186	5 300	6 300	NJ2310E.M1	1,95	
	50	110	40	2	2	97	65	92,5	71,3	163	186	5 300	6 300	NJ2310E.M1A	1,95	
	50	110	40	2	2	97	65	92,5	71,3	163	186	5 300	6 300	NUP2310E.TVP2	1,82	
	50	110	40	2	2	97	65	92,5	71,3	163	186	5 300	6 300	NUP2310E.M1	2,00	
	50	110	40	2	2	97	65	92,5	71,3	163	186	5 300	6 300	NUP2310E.M1A	2,00	
	50	130	31	2,1	2,1	110,8	70,8	104,25		129	125	4 500	5 300	NU410J	2,00	
	50	130	31	2,1	2,1	110,8	70,8	104,25		129	125	4 500	5 300	NU410M1	2,10	
	50	130	31	2,1	2,1	110,8	70,8	104,25	78,6	129	125	4 500	5 300	NJ410J	2,05	
	50	130	31	2,1	2,1	110,8	70,8	104,25	78,6	129	125	4 500	5 300	NJ410M1	2,15	
	55	55	90	18	1,1	1	80,5	64,5	77,3		41,5	50	8 000	14 000	NU1011M1	0,450
		55	90	18	1,1	1	80,5	64,5	77,3	67,7	41,5	50	8 000	14 000	NUP1011M1	0,479
		55	100	21	1,5	1,1	90	66		70,8	83	95	6 700	7 000	N211E.TVP2	0,668
55		100	21	1,5	1,1	90	66		70,8	83	95	6 700	7 000	N211E.M1	0,705	
55		100	21	1,5	1,1	90	66	86,6		83	95	6 700	7 000	NU211E.TVP2	0,665	
55		100	21	1,5	1,1	90	66	86,6		83	95	6 700	7 000	NU211E.M1	0,701	
55		100	21	1,5	1,1	90	66	86,6		83	95	6 700	7 000	NU211E.M1A	0,701	
55		100	21	1,5	1,1	90	66	86,6	70,8	83	95	6 700	7 000	NJ211E.TVP2	0,679	
55		100	21	1,5	1,1	90	66	86,6	70,8	83	95	6 700	7 000	NJ211E.M1	0,726	
55		100	21	1,5	1,1	90	66	86,6	70,8	83	95	6 700	7 000	NJ211E.M1A	0,726	
55		100	21	1,5	1,1	90	66	86,6	70,8	83	95	6 700	7 000	NUP211E.TVP2	0,693	
55		100	21	1,5	1,1	90	66	86,6	70,8	83	95	6 700	7 000	NUP211E.M1	0,718	
55		100	21	1,5	1,1	90	66	86,6	70,8	83	95	6 700	7 000	NUP211E.M1A	0,718	
55		100	25	1,5	1,1	90	66	86,6		98	118	6 700	7 000	NU2211E.TVP2	0,796	
55		100	25	1,5	1,1	90	66	86,6		98	118	6 700	7 000	NU2211E.M1	0,875	
55		100	25	1,5	1,1	90	66	86,6		98	118	6 700	7 000	NU2211E.M1A	0,875	
55		100	25	1,5	1,1	90	66	86,6	70,8	98	118	6 700	7 000	NJ2211E.TVP2	0,812	
55		100	25	1,5	1,1	90	66	86,6	70,8	98	118	6 700	7 000	NJ2211E.M1	0,890	
55		100	25	1,5	1,1	90	66	86,6	70,8	98	118	6 700	7 000	NJ2211E.M1A	0,890	
55		100	25	1,5	1,1	90	66	86,6	70,8	98	118	6 700	7 000	NUP2211E.TVP2	0,830	
55	100	25	1,5	1,1	90	66	86,6	70,8	98	118	6 700	7 000	NUP2211E.M1	0,910		
55	100	25	1,5	1,1	90	66	86,6	70,8	98	118	6 700	7 000	NUP2211E.M1A	0,910		

Cylindrical roller bearings

single-row



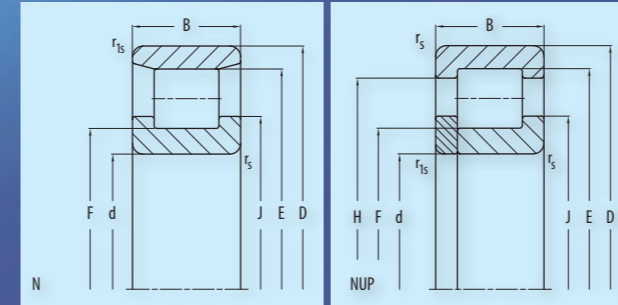
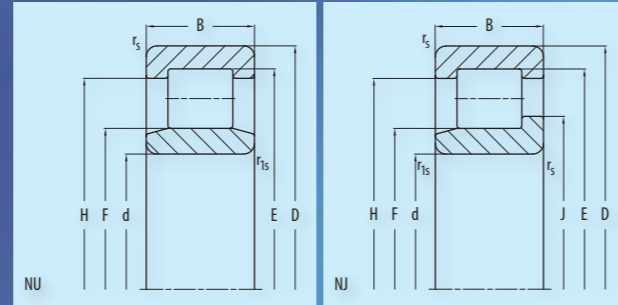
Cylindrical roller bearings

single-row

Shaft	Dimension (mm)									Load rating (kN)		Speed limit (min ⁻¹)		Code	Weight (kg)	
	d	D	B	r _s	r _{1s}	E	F	H	J	C	C ₀	Grease	Oil	Bearing		
				min	min					dyn.	stat.					
55	55	120	29	2	2	106,5	70,5		77,5		134	140	4 800	5 600	N311E.TVP2	1,47
	55	120	29	2	2	106,5	70,5	101,4		134	140	4 800	5 600	NU311E.TVP2	1,48	
	55	120	29	2	2	106,5	70,5	101,4		134	140	4 800	5 600	NU311E.M1	1,64	
	55	120	29	2	2	106,5	70,5	101,4		134	140	4 800	5 600	NU311E.M1A	1,64	
	55	120	29	2	2	106,5	70,5	101,4	77,5	134	140	4 800	5 600	NJ311E.TVP2	1,51	
	55	120	29	2	2	106,5	70,5	101,4	77,5	134	140	4 800	5 600	NJ311E.M1	1,67	
	55	120	29	2	2	106,5	70,5	101,4	77,5	134	140	4 800	5 600	NJ311E.M1A	1,67	
	55	120	29	2	2	106,5	70,5	101,4	77,5	134	140	4 800	5 600	NUP311E.TVP2	1,54	
	55	120	29	2	2	106,5	70,5	101,4	77,5	134	140	4 800	5 600	NUP311E.M1	1,72	
	55	120	29	2	2	106,5	70,5	101,4	77,5	134	140	4 800	5 600	NUP311E.M1A	1,72	
	55	120	43	2	2	106,5	70,5	101,4		200	228	4 800	5 600	NU2311E.TVP2	2,23	
	55	120	43	2	2	106,5	70,5	101,4		200	228	4 800	5 600	NU2311E.M1	2,45	
	55	120	43	2	2	106,5	70,5	101,4		200	228	4 800	5 600	NU2311E.M1A	2,45	
	55	120	43	2	2	106,5	70,5	101,4	77,5	200	228	4 800	5 600	NJ2311E.TVP2	2,27	
	55	120	43	2	2	106,5	70,5	101,4	77,5	200	228	4 800	5 600	NJ2311E.M1	2,50	
	55	120	43	2	2	106,5	70,5	101,4	77,5	200	228	4 800	5 600	NJ2311E.M1A	2,50	
	55	120	43	2	2	106,5	70,5	101,4	77,5	200	228	4 800	5 600	NUP2311E.TVP2	2,31	
	55	120	43	2	2	106,5	70,5	101,4	77,5	200	228	4 800	5 600	NUP2311E.M1	2,46	
	55	120	43	2	2	106,5	70,5	101,4	77,5	200	228	4 800	5 600	NUP2311E.M1A	2,46	
	55	140	33	2,1	2,1	117,2	77,2	110,65		140	137	4 300	5 000	NU411J	2,50	
55	140	33	2,1	2,1	117,2	77,2	110,65		140	137	4 300	5 000	NU411M1	2,79		
55	140	33	2,1	2,1	117,2	77,2	110,65	85	140	137	4 300	5 000	NJ411J	2,55		
55	140	33	2,1	2,1	117,2	77,2	110,65	85	140	137	4 300	5 000	NJ411M1	2,84		
60	60	95	18	1,1	1	85,5	69,5	82,3		44	55	7 500	13 000	NU1012M1	0,478	
	60	110	22	1,5	1,5	100	72		77,5	95	104	5 300	6 300	N212E.TVP2	0,818	
	60	110	22	1,5	1,5	100	72	96,1		95	104	5 300	6 300	NU212E.TVP2	0,824	
	60	110	22	1,5	1,5	100	72	96,1		95	104	5 300	6 300	NU212E.M1	0,902	
	60	110	22	1,5	1,5	100	72	96,1		95	104	5 300	6 300	NU212E.M1A	0,902	
	60	110	22	1,5	1,5	100	72	96,1	77,5	95	104	5 300	6 300	NJ212E.TVP2	0,845	
	60	110	22	1,5	1,5	100	72	96,1	77,5	95	104	5 300	6 300	NJ212E.M1	0,940	
	60	110	22	1,5	1,5	100	72	96,1	77,5	95	104	5 300	6 300	NJ212E.M1A	0,940	
	60	110	22	1,5	1,5	100	72	96,1	77,5	95	104	5 300	6 300	NUP212E.TVP2	0,909	
	60	110	22	1,5	1,5	100	72	96,1	77,5	95	104	5 300	6 300	NUP212E.M1	1,02	
60	110	22	1,5	1,5	100	72	96,1	77,5	95	104	5 300	6 300	NUP212E.M1A	1,02		

Cylindrical roller bearings

single-row



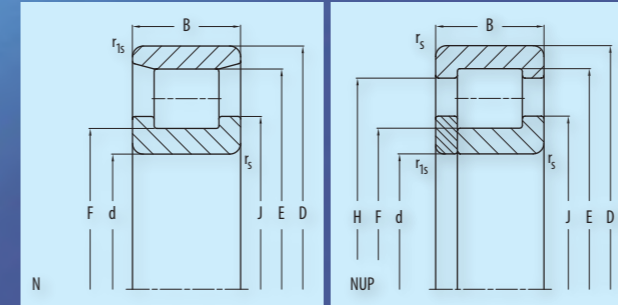
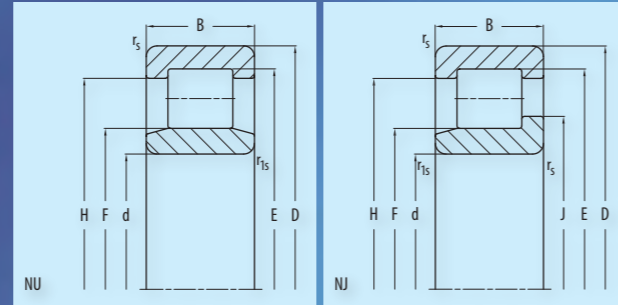
Cylindrical roller bearings

single-row

Shaft	Dimension (mm)									Load rating (kN)		Speed limit (min ⁻¹)		Code	Weight (kg)	
	d	D	B	r _s	r _{1s}	E	F	H	J	C	C ₀	Grease	Oil	Bearing		
				min	min					dyn.	stat.					
60	60	110	28	1,5	1,5	100	72	96,1		129	153	5 300	6 300	NU2212E.TVP2	1,08	
	60	110	28	1,5	1,5	100	72	96,1		129	153	5 300	6 300	NU2212E.M1	1,19	
	60	110	28	1,5	1,5	100	72	96,1		129	153	5 300	6 300	NU2212E.M1A	1,19	
	60	110	28	1,5	1,5	100	72	96,1	77,5	129	153	5 300	6 300	NJ2212E.TVP2	1,10	
	60	110	28	1,5	1,5	100	72	96,1	77,5	129	153	5 300	6 300	NJ2212E.M1	1,21	
	60	110	28	1,5	1,5	100	72	96,1	77,5	129	153	5 300	6 300	NJ2212E.M1A	1,21	
	60	110	28	1,5	1,5	100	72	96,1	77,5	129	153	5 300	6 300	NUP2212E.TVP2	1,12	
	60	110	28	1,5	1,5	100	72	96,1	77,5	129	153	5 300	6 300	NUP2212E.M1	1,23	
	60	110	28	1,5	1,5	100	72	96,1	77,5	129	153	5 300	6 300	NUP2212E.M1A	1,23	
	60	130	31	2,1	2,1	115	77			84,3	150	156	4 300	5 000	N312E.TVP2	1,84
	60	130	31	2,1	2,1	115	77	109,6			150	156	4 300	5 000	NU312E.TVP2	1,85
	60	130	31	2,1	2,1	115	77	109,6			150	156	4 300	5 000	NU312E.M1	2,07
	60	130	31	2,1	2,1	115	77	109,6			150	156	4 300	5 000	NU312E.M1A	2,07
	60	130	31	2,1	2,1	115	77	109,6	84,3		150	156	4 300	5 000	NJ312E.TVP2	1,89
	60	130	31	2,1	2,1	115	77	109,6	84,3		150	156	4 300	5 000	NJ312E.M1	2,12
	60	130	31	2,1	2,1	115	77	109,6	84,3		150	156	4 300	5 000	NJ312E.M1A	2,12
	60	130	31	2,1	2,1	115	77	109,6	84,3		150	156	4 300	5 000	NUP312E.TVP2	1,93
	60	130	31	2,1	2,1	115	77	109,6	84,3		150	156	4 300	5 000	NUP312E.M1	1,98
	60	130	31	2,1	2,1	115	77	109,6	84,3		150	156	4 300	5 000	NUP312E.M1A	1,98
	60	130	46	2,1	2,1	115	77	109,6			224	260	4 300	5 000	NU2312E.TVP2	2,78
	60	130	46	2,1	2,1	115	77	109,6			224	260	4 300	5 000	NU2312E.M1	3,06
	60	130	46	2,1	2,1	115	77	109,6			224	260	4 300	5 000	NU2312E.M1A	3,06
	60	130	46	2,1	2,1	115	77	109,6	84,3		224	260	4 300	5 000	NJ2312E.TVP2	2,83
	60	130	46	2,1	2,1	115	77	109,6	84,3		224	260	4 300	5 000	NJ2312E.M1	3,11
	60	130	46	2,1	2,1	115	77	109,6	84,3		224	260	4 300	5 000	NJ2312E.M1A	3,11
	60	130	46	2,1	2,1	115	77	109,6	84,3		224	260	4 300	5 000	NUP2312E.TVP2	2,88
	60	130	46	2,1	2,1	115	77	109,6	84,3		224	260	4 300	5 000	NUP2312E.M1	2,93
	60	130	46	2,1	2,1	115	77	109,6	84,3		224	260	4 300	5 000	NUP2312E.M1A	2,93
	60	150	35	2,1	2,1	127	83	119,45			166	170	4 000	4 800	NU412J	3,00
	60	150	35	2,1	2,1	127	83	119,45			166	170	4 000	4 800	NU412M1	3,22
	60	150	35	2,1	2,1	127	83	119,45	91,6		166	170	4 000	4 800	NJ412J	3,10
	60	150	35	2,1	2,1	127	83	119,45	91,6		166	170	4 000	4 800	NJ412M1	3,32

Cylindrical roller bearings

single-row



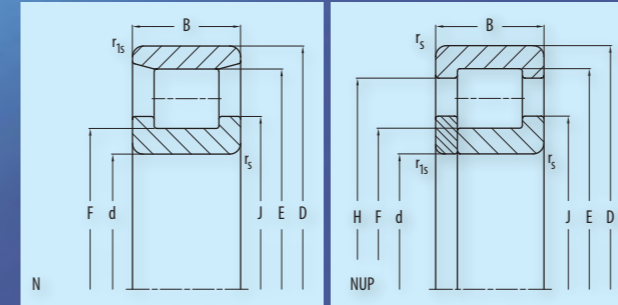
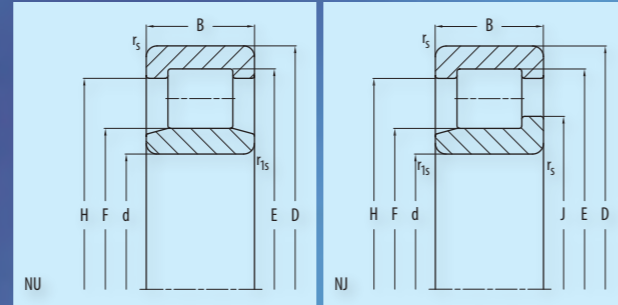
Cylindrical roller bearings

single-row

Shaft	Dimension (mm)									Load rating (kN)		Speed limit (min ⁻¹)		Code	Weight (kg)
	d	D	B	r _s	r _{1s}	E	F	H	J	C	C ₀	Grease	Oil	Bearing	
				min	min					dyn.	stat.				
65	65	100	18	1,1	1	90,5	74,5	87,3		45	58,5	6 700	12 000	NU1013M1	0,512
	65	120	23	1,5	1,5	108,5	78,5		84,4	108	120	5 000	6 000	N213E.TVP2	0,998
	65	120	23	1,5	1,5	108,5	78,5	104,3		108	120	5 000	6 000	NU213E.TVP2	1,04
	65	120	23	1,5	1,5	108,5	78,5	104,3		108	120	5 000	6 000	NU213E.M1	1,17
	65	120	23	1,5	1,5	108,5	78,5	104,3		108	120	5 000	6 000	NU213E.M1A	1,17
	65	120	23	1,5	1,5	108,5	78,5	104,3	84,4	108	120	5 000	6 000	NJ213E.TVP2	1,06
	65	120	23	1,5	1,5	108,5	78,5	104,3	84,4	108	120	5 000	6 000	NJ213E.M1	1,21
	65	120	23	1,5	1,5	108,5	78,5	104,3	84,4	108	120	5 000	6 000	NJ213E.M1A	1,21
	65	120	23	1,5	1,5	108,5	78,5	104,3	84,4	108	120	5 000	6 000	NUP213E.TVP2	1,09
	65	120	23	1,5	1,5	108,5	78,5	104,3	84,4	108	120	5 000	6 000	NUP213E.M1	1,13
	65	120	23	1,5	1,5	108,5	78,5	104,3	84,4	108	120	5 000	6 000	NUP213E.M1A	1,13
	65	120	31	1,5	1,5	108,5	78,5	104,3		150	183	4 800	5 600	NU2213E.TVP2	1,43
	65	120	31	1,5	1,5	108,5	78,5	104,3		150	183	4 800	5 600	NU2213E.M1	1,57
	65	120	31	1,5	1,5	108,5	78,5	104,3		150	183	4 800	5 600	NU2213E.M1A	1,57
	65	120	31	1,5	1,5	108,5	78,5	104,3	84,4	150	183	4 800	5 600	NJ2213E.TVP2	1,46
	65	120	31	1,5	1,5	108,5	78,5	104,3	84,4	150	183	4 800	5 600	NJ2213E.M1	1,61
	65	120	31	1,5	1,5	108,5	78,5	104,3	84,4	150	183	4 800	5 600	NJ2213E.M1A	1,61
	65	120	31	1,5	1,5	108,5	78,5	104,3	84,4	150	183	4 800	5 600	NUP2213E.TVP2	1,54
	65	120	31	1,5	1,5	108,5	78,5	104,3	84,4	150	183	4 800	5 600	NUP2213E.M1	1,58
	65	120	31	1,5	1,5	108,5	78,5	104,3	84,4	150	183	4 800	5 600	NUP2213E.M1A	1,58
	65	140	33	2,1	2,1	124,5	82,5		90,5	180	190	4 000	4 800	N313E.TVP2	2,27
	65	140	33	2,1	2,1	124,5	82,5	118,6		180	190	4 000	4 800	NU313E.TVP2	2,28
	65	140	33	2,1	2,1	124,5	82,5	118,6		180	190	4 000	4 800	NU313E.M1	2,50
	65	140	33	2,1	2,1	124,5	82,5	118,6		180	190	4 000	4 800	NU313E.M1A	2,50
	65	140	33	2,1	2,1	124,5	82,5	118,6	90,5	180	190	4 000	4 800	NJ313E.TVP2	2,32
	65	140	33	2,1	2,1	124,5	82,5	118,6	90,5	180	190	4 000	4 800	NJ313E.M1	2,56
	65	140	33	2,1	2,1	124,5	82,5	118,6	90,5	180	190	4 000	4 800	NJ313E.M1A	2,56
	65	140	33	2,1	2,1	124,5	82,5	118,6	90,5	180	190	4 000	4 800	NUP313E.TVP2	2,37
	65	140	33	2,1	2,1	124,5	82,5	118,6	90,5	180	190	4 000	4 800	NUP313E.M1	2,61
	65	140	33	2,1	2,1	124,5	82,5	118,6	90,5	180	190	4 000	4 800	NUP313E.M1A	2,61

Cylindrical roller bearings

single-row



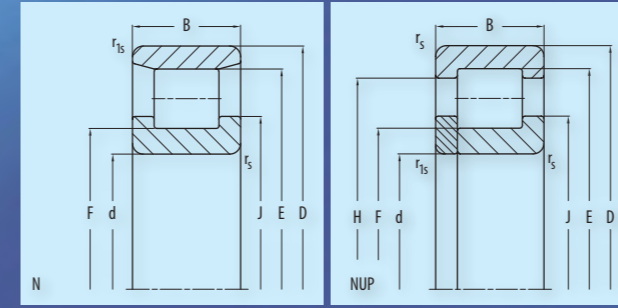
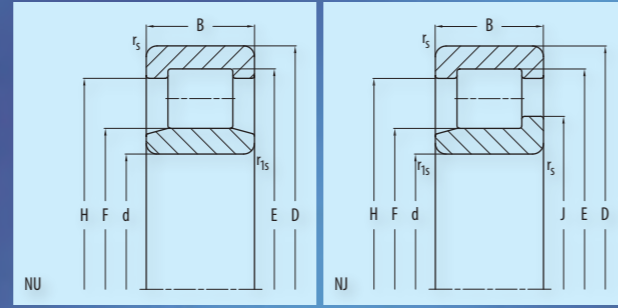
Cylindrical roller bearings

single-row

Shaft	Dimension (mm)									Load rating (kN)		Speed limit (min ⁻¹)		Code	Weight (kg)	
	d	D	B	r _s	r _{1s}	E	F	H	J	C	C ₀	Grease	Oil	Bearing		
				min	min					dyn.	stat.					
65	65	140	48	2,1	2,1	124,5	82,5	118,6		245	285	4 000	4 800	NU2313E.TVP2	3,32	
	65	140	48	2,1	2,1	124,5	82,5	118,6		245	285	4 000	4 800	NU2313E.M1	3,65	
	65	140	48	2,1	2,1	124,5	82,5	118,6		245	285	4 000	4 800	NU2313E.M1A	3,65	
	65	140	48	2,1	2,1	124,5	82,5	118,6	90,5	245	285	4 000	4 800	NJ2313E.TVP2	3,38	
	65	140	48	2,1	2,1	124,5	82,5	118,6	90,5	245	285	4 000	4 800	NJ2313E.M1	3,72	
	65	140	48	2,1	2,1	124,5	82,5	118,6	90,5	245	285	4 000	4 800	NJ2313E.M1A	3,72	
	65	140	48	2,1	2,1	124,5	82,5	118,6	90,5	245	285	4 000	4 800	NUP2313E.TVP2	3,45	
	65	140	48	2,1	2,1	124,5	82,5	118,6	90,5	245	285	4 000	4 800	NUP2313E.M1	3,52	
	65	140	48	2,1	2,1	124,5	82,5	118,6	90,5	245	285	4 000	4 800	NUP2313E.M1A	3,52	
	65	160	37	2,1	2,1	135,3	89,3	127,65		183	202	3 800	4 500	NU413J	3,60	
	65	160	37	2,1	2,1	135,3	89,3	127,65		183	202	3 800	4 500	NU413M1	3,72	
	65	160	37	2,1	2,1	135,3	89,3	127,65	98,3	183	202	3 800	4 500	NJ413J	3,65	
	65	160	37	2,1	2,1	135,3	89,3	127,65	98,3	183	202	3 800	4 500	NJ413M1	3,77	
	70	70	110	20	1,1	1	100	80	96		64	81,5	6 300	11 000	NU1014M1	0,706
		70	125	24	1,5	1,5	113,5	83,5		89,4	120	137	4 500	5 300	N214E.TVP2	1,08
		70	125	24	1,5	1,5	113,5	83,5	109,4		120	137	4 500	5 300	NU214E.TVP2	1,15
70		125	24	1,5	1,5	113,5	83,5	109,4		120	137	4 500	5 300	NU214E.M1	1,28	
70		125	24	1,5	1,5	113,5	83,5	109,4		120	137	4 500	5 300	NU214E.M1A	1,28	
70		125	24	1,5	1,5	113,5	83,5	109,4	89,4	120	137	4 500	5 300	NJ214E.TVP2	1,18	
70		125	24	1,5	1,5	113,5	83,5	109,4	89,4	120	137	4 500	5 300	NJ214E.M1	1,32	
70		125	24	1,5	1,5	113,5	83,5	109,4	89,4	120	137	4 500	5 300	NJ214E.M1A	1,32	
70		125	24	1,5	1,5	113,5	83,5	109,4	89,4	120	137	4 500	5 300	NUP214E.TVP2	1,20	
70		125	24	1,5	1,5	113,5	83,5	109,4	89,4	120	137	4 500	5 300	NUP214E.M1	1,35	
70		125	24	1,5	1,5	113,5	83,5	109,4	89,4	120	137	4 500	5 300	NUP214E.M1A	1,35	
70		125	31	1,5	1,5	113,5	83,5	109,4		156	196	4 500	5 300	NU2214E.TVP2	1,52	
70		125	31	1,5	1,5	113,5	83,5	109,4		156	196	4 500	5 300	NU2214E.M1	1,67	
70		125	31	1,5	1,5	113,5	83,5	109,4		156	196	4 500	5 300	NU2214E.M1A	1,67	
70		125	31	1,5	1,5	113,5	83,5	109,4	89,4	156	196	4 500	5 300	NJ2214E.TVP2	1,55	
70		125	31	1,5	1,5	113,5	83,5	109,4	89,4	156	196	4 500	5 300	NJ2214E.M1	1,70	
70		125	31	1,5	1,5	113,5	83,5	109,4	89,4	156	196	4 500	5 300	NJ2214E.M1A	1,70	
70		125	31	1,5	1,5	113,5	83,5	109,4	89,4	156	196	4 500	5 300	NUP2214E.TVP2	1,58	
70	125	31	1,5	1,5	113,5	83,5	109,4	89,4	156	196	4 500	5 300	NUP2214E.M1	1,74		
70	125	31	1,5	1,5	113,5	83,5	109,4	89,4	156	196	4 500	5 300	NUP2214E.M1A	1,74		

Cylindrical roller bearings

single-row



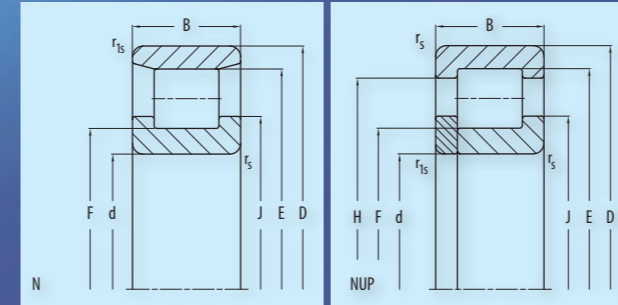
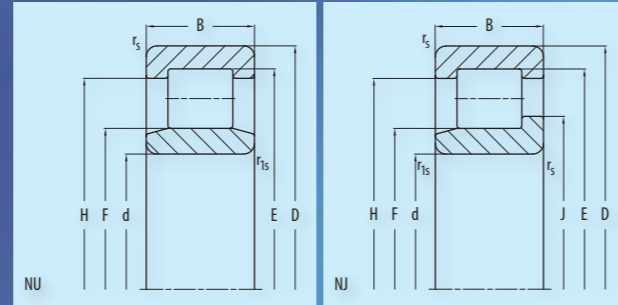
Cylindrical roller bearings

single-row

Shaft	Dimension (mm)									Load rating (kN)		Speed limit (min ⁻¹)		Code	Weight (kg)	
	d	D	B	r _s	r _{1s}	E	F	H	J	C	C ₀	Grease	Oil	Bearing		
				min	min					dyn.	stat.					
70	70	150	35	2,1	2,1	133	89		97,3		204	220	3 800	4 500	N314E.TVP2	2,78
	70	150	35	2,1	2,1	133	89	126,8		204	220	3 800	4 500	NU314E.TVP2	2,79	
	70	150	35	2,1	2,1	133	89	126,8		204	220	3 800	4 500	NU314E.M1	3,09	
	70	150	35	2,1	2,1	133	89	126,8		204	220	3 800	4 500	NU314E.M1A	3,09	
	70	150	35	2,1	2,1	133	89	126,8	97,3	204	220	3 800	4 500	NJ314E.TVP2	2,84	
	70	150	35	2,1	2,1	133	89	126,8	97,3	204	220	3 800	4 500	NJ314E.M1	3,16	
	70	150	35	2,1	2,1	133	89	126,8	97,3	204	220	3 800	4 500	NJ314E.M1A	3,16	
	70	150	35	2,1	2,1	133	89	126,8	97,5	204	220	3 800	4 500	NUP314E.TVP2	2,89	
	70	150	35	2,1	2,1	133	89	126,8	97,5	204	220	3 800	4 500	NUP314E.M1	3,23	
	70	150	35	2,1	2,1	133	89	126,8	97,5	204	220	3 800	4 500	NUP314E.M1A	3,23	
	70	150	51	2,1	2,1	133	89	126,8			275	325	3 800	4 500	NU2314E.TVP2	4,02
	70	150	51	2,1	2,1	133	89	126,8			275	325	3 800	4 500	NU2314E.M1	4,43
	70	150	51	2,1	2,1	133	89	126,8			275	325	3 800	4 500	NU2314E.M1A	4,43
	70	150	51	2,1	2,1	133	89	126,8	97,3		275	325	3 800	4 500	NJ2314E.TVP2	4,09
	70	150	51	2,1	2,1	133	89	126,8	97,3		275	325	3 800	4 500	NJ2314E.M1	4,50
	70	150	51	2,1	2,1	133	89	126,8	97,3		275	325	3 800	4 500	NJ2314E.M1A	4,50
	70	150	51	2,1	2,1	133	89	126,8	97,5		275	325	3 800	4 500	NUP2314E.TVP2	4,18
	70	150	51	2,1	2,1	133	89	126,8	97,5		275	325	3 800	4 500	NUP2314E.M1	4,25
	70	150	51	2,1	2,1	133	89	126,8	97,5		275	325	3 800	4 500	NUP2314E.M1A	4,25
	70	180	42	3	3	152	100	142,7			224	232	3 400	4 000	NU414J	5,26
70	180	42	3	3	152	100	142,7			224	232	3 400	4 000	NU414M1	5,85	
70	180	42	3	3	152	100	142,7	110,3		224	232	3 400	4 000	NJ414J	5,37	
70	180	42	3	3	152	100	142,7	110,3		224	232	3 400	4 000	NJ414M1	5,96	
75	75	115	20	1,1	1	105	85	101,7			65,5	85	6 000	10 000	NU1015M1	0,750
	75	130	25	1,5	1,5	118,5	88,5		94,3		132	156	4 500	5 300	N215E.TVP2	1,21
	75	130	25	1,5	1,5	118,5	88,5	114,4		132	156	4 500	5 300	NU215E.TVP2	1,27	
	75	130	25	1,5	1,5	118,5	88,5	114,4		132	156	4 500	5 300	NU215E.M1	1,40	
	75	130	25	1,5	1,5	118,5	88,5	114,4		132	156	4 500	5 300	NU215E.M1A	1,40	
	75	130	25	1,5	1,5	118,5	88,5	114,4	94,3		132	156	4 500	5 300	NJ215E.TVP2	1,30
	75	130	25	1,5	1,5	118,5	88,5	114,4	94,3		132	156	4 500	5 300	NJ215E.M1	1,43
	75	130	25	1,5	1,5	118,5	88,5	114,4	94,3		132	156	4 500	5 300	NJ215E.M1A	1,43
	75	130	25	1,5	1,5	118,5	88,5	114,4	94,5		132	156	4 500	5 300	NUP215E.TVP2	1,33
	75	130	25	1,5	1,5	118,5	88,5	114,4	94,5		132	156	4 500	5 300	NUP215E.M1	1,47
75	130	25	1,5	1,5	118,5	88,5	114,4	94,5		132	156	4 500	5 300	NUP215E.M1A	1,47	

Cylindrical roller bearings

single-row



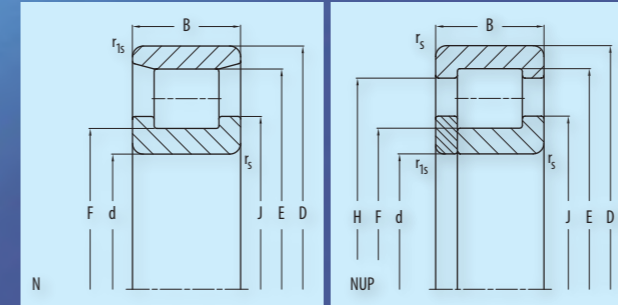
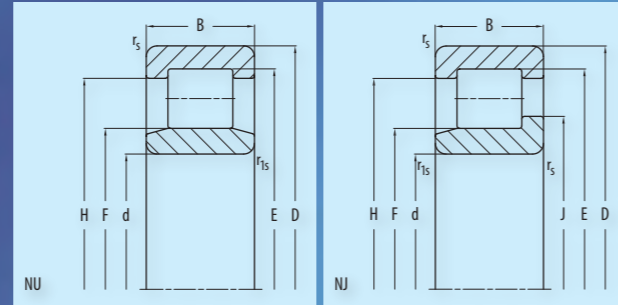
Cylindrical roller bearings

single-row

Shaft	Dimension (mm)									Load rating (kN)		Speed limit (min ⁻¹)		Code	Weight (kg)
	d	D	B	r _s	r _{1s}	E	F	H	J	C	C ₀	Grease	Oil	Bearing	
				min	min					dyn.	stat.				
75	75	130	31	1,5	1,5	118,5	88,5	114,4		163	208	4 500	5 300	NU2215E.TVP2	1,61
	75	130	31	1,5	1,5	118,5	88,5	114,4		163	208	4 500	5 300	NU2215E.M1	1,77
	75	130	31	1,5	1,5	118,5	88,5	114,4		163	208	4 500	5 300	NU2215E.M1A	1,77
	75	130	31	1,5	1,5	118,5	88,5	114,4	94,3	163	208	4 500	5 300	NJ2215E.TVP2	1,64
	75	130	31	1,5	1,5	118,5	88,5	114,4	94,3	163	208	4 500	5 300	NJ2215E.M1	1,80
	75	130	31	1,5	1,5	118,5	88,5	114,4	94,3	163	208	4 500	5 300	NJ2215E.M1A	1,80
	75	130	31	1,5	1,5	118,5	88,5	114,4	94,5	163	208	4 500	5 300	NUP2215E.TVP2	1,67
	75	130	31	1,5	1,5	118,5	88,5	114,4	94,5	163	208	4 500	5 300	NUP2215E.M1	1,70
	75	130	31	1,5	1,5	118,5	88,5	114,4	94,5	163	208	4 500	5 300	NUP2215E.M1A	1,70
	75	160	37	2,1	2,1	143	95		104,1	240	265	3 400	4 000	N315E.TVP2	3,31
	75	160	37	2,1	2,1	143	95	136,2		240	265	3 400	4 000	NU315E.TVP2	3,33
	75	160	37	2,1	2,1	143	95	136,2		240	265	3 400	4 000	NU315E.M1	3,65
	75	160	37	2,1	2,1	143	95	136,2		240	265	3 400	4 000	NU315E.M1A	3,65
	75	160	37	2,1	2,1	143	95	136,2	104,1	240	265	3 400	4 000	NJ315E.TVP2	3,39
	75	160	37	2,1	2,1	143	95	136,2	104,1	240	265	3 400	4 000	NJ315E.M1	3,73
	75	160	37	2,1	2,1	143	95	136,2	104,1	240	265	3 400	4 000	NJ315E.M1A	3,73
	75	160	37	2,1	2,1	143	95	136,2	104,3	240	265	3 400	4 000	NUP315E.TVP2	3,45
	75	160	37	2,1	2,1	143	95	136,2	104,3	240	265	3 400	4 000	NUP315E.M1	4,00
	75	160	37	2,1	2,1	143	95	136,2	104,3	240	265	3 400	4 000	NUP315E.M1A	4,00
	75	160	55	2,1	2,1	143	95	136,2		325	390	3 400	4 000	NU2315E.TVP2	4,95
	75	160	55	2,1	2,1	143	95	136,2		325	390	3 400	4 000	NU2315E.M1	5,44
	75	160	55	2,1	2,1	143	95	136,2		325	390	3 400	4 000	NU2315E.M1A	5,44
	75	160	55	2,1	2,1	143	95	136,2	104,1	325	390	3 400	4 000	NJ2315E.TVP2	5,04
	75	160	55	2,1	2,1	143	95	136,2	104,1	325	390	3 400	4 000	NJ2315E.M1	5,54
	75	160	55	2,1	2,1	143	95	136,2	104,1	325	390	3 400	4 000	NJ2315E.M1A	5,54
	75	160	55	2,1	2,1	143	95	136,2	104,3	325	390	3 400	4 000	NUP2315E.TVP2	5,14
	75	160	55	2,1	2,1	143	95	136,2	104,3	325	390	3 400	4 000	NUP2315E.M1	5,20
	75	160	55	2,1	2,1	143	95	136,2	104,3	325	390	3 400	4 000	NUP2315E.M1A	5,20
75	190	45	3	3	160,5	104,5	150,7		260	270	3 200	3 800	NU415J	6,25	
75	190	45	3	3	160,5	104,5	150,7		260	270	3 200	3 800	NU415M1	6,87	
75	190	45	3	3	160,5	104,5	150,7	115,8	260	270	3 200	3 800	NJ415J	6,36	
75	190	45	3	3	160,5	104,5	150,7	115,8	260	270	3 200	3 800	NJ415M1	6,95	

Cylindrical roller bearings

single-row



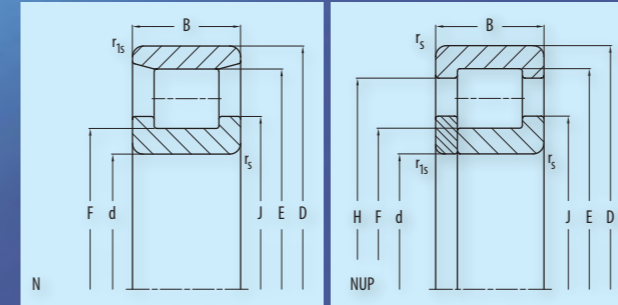
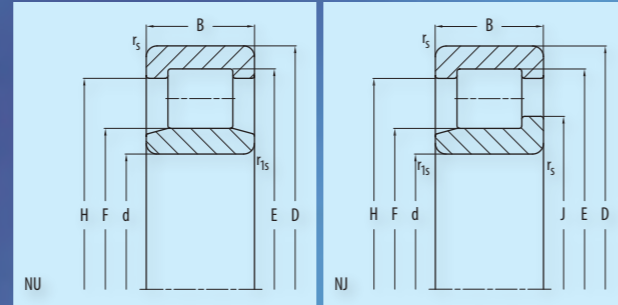
Cylindrical roller bearings

single-row

Shaft	Dimension (mm)									Load rating (kN)		Speed limit (min ⁻¹)		Code	Weight (kg)	
	d	D	B	r _s	r _{1s}	E	F	H	J	C	C ₀	Grease	Oil	Bearing		
				min	min					dyn.	stat.					
80	80	125	22	1,1	1	113,5	91,5	109,8				5 000	6 000	NU1016M1	0,990	
	80	140	26	2	2	127,3	95,3		101,5	140	170	4 000	4 800	N216E.TVP2	1,48	
	80	140	26	2	2	127,3	95,3	122,9		140	170	4 000	4 800	NU216E.TVP2	1,54	
	80	140	26	2	2	127,3	95,3	122,9		140	170	4 000	4 800	NU216E.M1	1,71	
	80	140	26	2	2	127,3	95,3	122,9		140	170	4 000	4 800	NU216E.M1A	1,71	
	80	140	26	2	2	127,3	95,3	122,9	101,5	140	170	4 000	4 800	NJ216E.TVP2	1,58	
	80	140	26	2	2	127,3	95,3	122,9	101,5	140	170	4 000	4 800	NJ216E.M1	1,76	
	80	140	26	2	2	127,3	95,3	122,9	101,5	140	170	4 000	4 800	NJ216E.M1A	1,76	
	80	140	26	2	2	127,3	95,3	122,9	101,7	140	170	4 000	4 800	NUP216E.TVP2	1,62	
	80	140	26	2	2	127,3	95,3	122,9	101,7	140	170	4 000	4 800	NUP216E.M1	1,77	
	80	140	26	2	2	127,3	95,3	122,9	101,7	140	170	4 000	4 800	NUP216E.M1A	1,77	
	80	140	33	2	2	127,3	95,3	122,9			186	245	4 000	4 800	NU2216E.TVP2	2,02
	80	140	33	2	2	127,3	95,3	122,9			186	245	4 000	4 800	NU2216E.M1	2,22
	80	140	33	2	2	127,3	95,3	122,9			186	245	4 000	4 800	NU2216E.M1A	2,22
	80	140	33	2	2	127,3	95,3	122,9	101,5		186	245	4 000	4 800	NJ2216E.TVP2	2,05
	80	140	33	2	2	127,3	95,3	122,9	101,5		186	245	4 000	4 800	NJ2216E.M1	2,25
	80	140	33	2	2	127,3	95,3	122,9	101,5		186	245	4 000	4 800	NJ2216E.M1A	2,25
	80	140	33	2	2	127,3	95,3	122,9	101,7		186	245	4 000	4 800	NUP2216E.TVP2	2,08
	80	140	33	2	2	127,3	95,3	122,9	101,7		186	245	4 000	4 800	NUP2216E.M1	2,11
	80	140	33	2	2	127,3	95,3	122,9	101,7		186	245	4 000	4 800	NUP2216E.M1A	2,11
	80	140	39	2,1	2,1	151	101			110,4	255	275	3 200	3 800	N316E.TVP2	3,97
	80	170	39	2,1	2,1	151	101	143,9			255	275	3 200	3 800	NU316E.TVP2	3,96
	80	170	39	2,1	2,1	151	101	143,9			255	275	3 200	3 800	NU316E.M1	4,32
	80	170	39	2,1	2,1	151	101	143,9			255	275	3 200	3 800	NU316E.M1A	4,32
	80	170	39	2,1	2,1	151	101	143,9	110,4		255	275	3 200	3 800	NJ316E.TVP2	4,04
	80	170	39	2,1	2,1	151	101	143,9	110,4		255	275	3 200	3 800	NJ316E.M1	4,32
	80	170	39	2,1	2,1	151	101	143,9	110,4		255	275	3 200	3 800	NJ316E.M1A	4,32
	80	170	39	2,1	2,1	151	101	143,9	110,6		255	275	3 200	3 800	NUP316E.TVP2	4,11
	80	170	39	2,1	2,1	151	101	143,9	110,6		255	275	3 200	3 800	NUP316E.M1	4,53
	80	170	39	2,1	2,1	151	101	143,9	110,6		255	275	3 200	3 800	NUP316E.M1A	4,53

Cylindrical roller bearings

single-row



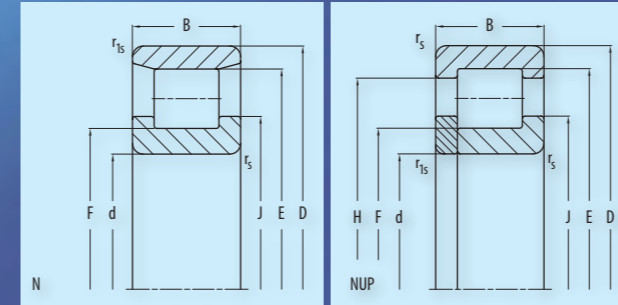
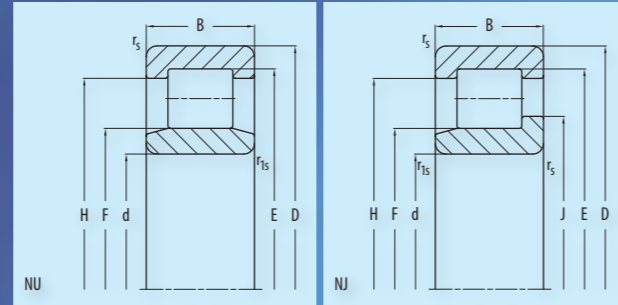
Cylindrical roller bearings

single-row

Shaft	Dimension (mm)									Load rating (kN)		Speed limit (min ⁻¹)		Code	Weight (kg)	
	d	D	B	r _s	r _{1s}	E	F	H	J	C	C ₀	Grease	Oil	Bearing		
				min	min					dyn.	stat.					
80	80	170	58	2,1	2,1	151	101	143,9		355	425	3 200	3 800	NU2316E.TVP2	6,00	
	80	170	58	2,1	2,1	151	101	143,9		355	425	3 200	3 800	NU2316E.M1	6,46	
	80	170	58	2,1	2,1	151	101	143,9		355	425	3 200	3 800	NU2316E.M1A	6,46	
	80	170	58	2,1	2,1	151	101	143,9	110,4	355	425	3 200	3 800	NJ2316E.TVP2	5,98	
	80	170	58	2,1	2,1	151	101	143,9	110,4	355	425	3 200	3 800	NJ2316E.M1	6,58	
	80	170	58	2,1	2,1	151	101	143,9	110,4	355	425	3 200	3 800	NJ2316E.M1A	6,58	
	80	170	58	2,1	2,1	151	101	143,9	110,6	355	425	3 200	3 800	NUP2316E.TVP2	6,09	
	80	170	58	2,1	2,1	151	101	143,9	110,6	355	425	3 200	3 800	NUP2316E.M1	6,69	
	80	170	58	2,1	2,1	151	101	143,9	110,6	355	425	3 200	3 800	NUP2316E.M1A	6,69	
	80	200	48	3	3	170	110	159,7		300	310	3 000	3 600	NU416J	7,45	
	80	200	48	3	3	170	110	159,7		300	310	3 000	3 600	NU416M1	8,07	
	80	200	48	3	3	170	110	159,7	121,8	300	310	3 000	3 600	NJ416J	7,65	
	80	200	48	3	3	170	110	159,7	121,8	300	310	3 000	3 600	NJ416M1	8,24	
	85	85	130	22	1,1	1	118,5	96,5	114,5		78	104	5 600	9 000	NU1017M1	1,05
		85	150	28	2	2	136,5	100,5		107,5	163	193	3 800	4 500	N217E.TVP2	1,90
		85	150	28	2	2	136,5	100,5	131,5		163	193	3 800	4 500	NU217E.TVP2	1,91
85		150	28	2	2	136,5	100,5	131,5		163	193	3 800	4 500	NU217E.M1	2,14	
85		150	28	2	2	136,5	100,5	131,5		163	193	3 800	4 500	NU217E.M1A	2,14	
85		150	28	2	2	136,5	100,5	131,5	107,5	163	193	3 800	4 500	NJ217E.TVP2	1,95	
85		150	28	2	2	136,5	100,5	131,5	107,5	163	193	3 800	4 500	NJ217E.M1	2,19	
85		150	28	2	2	136,5	100,5	131,5	107,5	163	193	3 800	4 500	NJ217E.M1A	2,19	
85		150	28	2	2	136,5	100,5	131,5	107,6	163	193	3 800	4 500	NUP217E.TVP2	2,08	
85		150	28	2	2	136,5	100,5	131,5	107,6	163	193	3 800	4 500	NUP217E.M1	2,13	
85		150	28	2	2	136,5	100,5	131,5	107,6	163	193	3 800	4 500	NUP217E.M1A	2,13	
85		150	36	2	2	136,5	100,5	131,5		216	275	3 800	4 500	NU2217E.TVP2	2,50	
85		150	36	2	2	136,5	100,5	131,5		216	275	3 800	4 500	NU2217E.M1	2,75	
85		150	36	2	2	136,5	100,5	131,5		216	275	3 800	4 500	NU2217E.M1A	2,75	
85		150	36	2	2	136,5	100,5	131,5	107,5	216	275	3 800	4 500	NJ2217E.TVP2	2,55	
85		150	36	2	2	136,5	100,5	131,5	107,5	216	275	3 800	4 500	NJ2217E.M1	2,80	
85		150	36	2	2	136,5	100,5	131,5	107,5	216	275	3 800	4 500	NJ2217E.M1A	2,80	
85		150	36	2	2	136,5	100,5	131,5	107,5	216	275	3 800	4 500	NUP2217E.TVP2	2,60	
85		150	36	2	2	136,5	100,5	131,5	107,5	216	275	3 800	4 500	NUP2217E.M1	2,86	
85		150	36	2	2	136,5	100,5	131,5	107,5	216	275	3 800	4 500	NUP2217E.M1A	2,86	

Cylindrical roller bearings

single-row



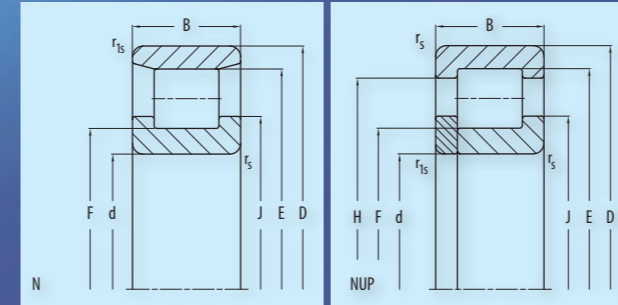
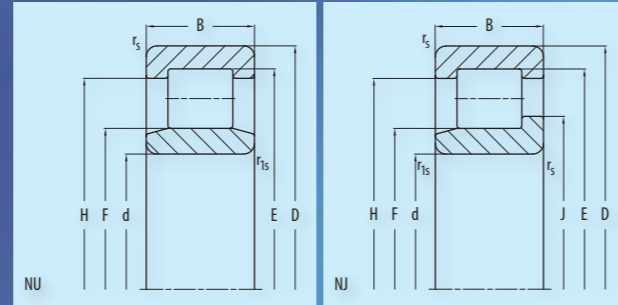
Cylindrical roller bearings

single-row

Shaft	Dimension (mm)									Load rating (kN)		Speed limit (min ⁻¹)		Code	Weight (kg)
	d	D	B	r _s	r _{1s}	E	F	H	J	C	C ₀	Grease	Oil	Bearing	
				min	min										
85	85	180	41	3	3	160	108	152,7		270	300	3 000	3 600	NU317E.TVP2	4,70
	85	180	41	3	3	160	108	152,7		270	300	3 000	3 600	NU317E.M1	4,90
	85	180	41	3	3	160	108	152,7		270	300	3 000	3 600	NU317E.M1A	4,90
	85	180	41	3	3	160	108	152,7	117,8	270	300	3 000	3 600	NJ317E.TVP2	4,78
	85	180	41	3	3	160	108	152,7	117,8	270	300	3 000	3 600	NJ317E.M1	5,20
	85	180	41	3	3	160	108	152,7	117,8	270	300	3 000	3 600	NJ317E.M1A	5,20
	85	180	41	3	3	160	108	152,7	117,8	270	300	3 000	3 600	NUP317E.TVP2	4,87
	85	180	41	3	3	160	108	152,7	117,8	270	300	3 000	3 600	NUP317E.M1	5,38
	85	180	41	3	3	160	108	152,7	117,8	270	300	3 000	3 600	NUP317E.M1A	5,38
	85	180	60	3	3	160	108	152,7		365	450	3 000	3 600	NU2317E.TVP2	6,85
	85	180	60	3	3	160	108	152,7		365	450	3 000	3 600	NU2317E.M1	7,51
	85	180	60	3	3	160	108	152,7		365	450	3 000	3 600	NU2317E.M1A	7,51
	85	180	60	3	3	160	108	152,7	117,8	365	450	3 000	3 600	NJ2317E.TVP2	6,91
	85	180	60	3	3	160	108	152,7	117,8	365	450	3 000	3 600	NJ2317E.M1	7,54
	85	180	60	3	3	160	108	152,7	117,8	365	450	3 000	3 600	NJ2317E.M1A	7,54
	85	180	60	3	3	160	108	152,7	117,8	365	450	3 000	3 600	NUP2317E.TVP2	6,97
	85	180	60	3	3	160	108	152,7	117,8	365	450	3 000	3 600	NUP2317E.M1	7,68
	85	180	60	3	3	160	108	152,7	117,8	365	450	3 000	3 600	NUP2317E.M1A	7,68
	85	210	52	4	4	177	113	165,7		335	355	2 800	3 400	NU417J	9,05
	85	210	52	4	4	177	113	165,7		335	355	2 800	3 400	NU417M1	9,64
85	210	52	4	4	177	113	165,7	125,8	335	355	2 800	3 400	NJ417J	9,26	
85	210	52	4	4	177	113	165,7	125,8	335	355	2 800	3 400	NJ417M1	9,85	
90	90	140	24	1,5	1,1	127	103	122,8		93	125	5 300	8 500	NU1018M1	1,31
	90	160	30	2	2	145	107		114,3	183	216	3 600	4 300	N218E.TVP2	2,32
	90	160	30	2	2	145	107	139,7		183	216	3 600	4 300	NU218E.TVP2	2,36
	90	160	30	2	2	145	107	139,7		183	216	3 600	4 300	NU218E.M1	2,58
	90	160	30	2	2	145	107	139,7		183	216	3 600	4 300	NU218E.M1A	2,58
	90	160	30	2	2	145	107	139,7	114,3	183	216	3 600	4 300	NJ218E.TVP2	2,41
	90	160	30	2	2	145	107	139,7	114,3	183	216	3 600	4 300	NJ218E.M1	2,64
	90	160	30	2	2	145	107	139,7	114,3	183	216	3 600	4 300	NJ218E.M1A	2,64
	90	160	30	2	2	145	107	139,7	114,3	183	216	3 600	4 300	NUP218E.TVP2	2,46
	90	160	30	2	2	145	107	139,7	114,3	183	216	3 600	4 300	NUP218E.M1	2,54
90	160	30	2	2	145	107	139,7	114,3	183	216	3 600	4 300	NUP218E.M1A	2,54	

Cylindrical roller bearings

single-row



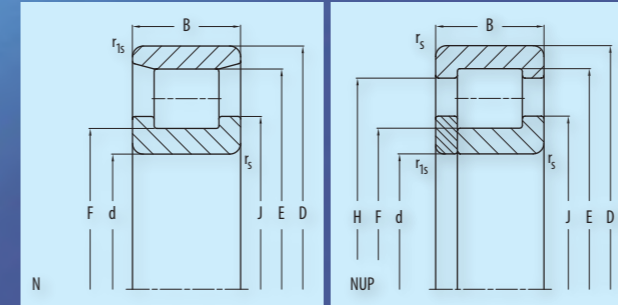
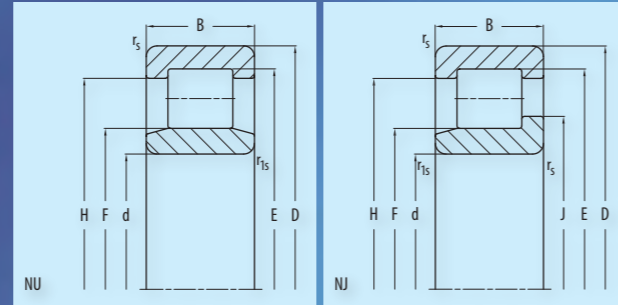
Cylindrical roller bearings

single-row

Shaft	Dimension (mm)									Load rating (kN)		Speed limit (min ⁻¹)		Code	Weight (kg)	
	d	D	B	r _s	r _{1s}	E	F	H	J	C	C ₀	Grease	Oil	Bearing		
				min	min					dyn.	stat.					
90	90	160	40	2	2	145	107		114,3		240	315	3 600	4 300	N2218E.M1	3,48
	90	160	40	2	2	145	107	139,7		240	315	3 600	4 300	NU2218E.TVP2	3,17	
	90	160	40	2	2	145	107	139,7		240	315	3 600	4 300	NU2218E.M1	3,49	
	90	160	40	2	2	145	107	139,7		240	315	3 600	4 300	NU2218E.M1A	3,49	
	90	160	40	2	2	145	107	139,7	114,3	240	315	3 600	4 300	NJ2218E.TVP2	3,23	
	90	160	40	2	2	145	107	139,7	114,3	240	315	3 600	4 300	NJ2218E.M1	3,55	
	90	160	40	2	2	145	107	139,7	114,3	240	315	3 600	4 300	NJ2218E.M1A	3,55	
	90	160	40	2	2	145	107	139,7	114,3	240	315	3 600	4 300	NUP2218E.TVP2	3,29	
	90	160	40	2	2	145	107	139,7	114,3	240	315	3 600	4 300	NUP2218E.M1	3,35	
	90	160	40	2	2	145	107	139,7	114,3	240	315	3 600	4 300	NUP2218E.M1A	3,35	
	90	190	43	3	3	169,5	113,5	161,6			315	345	2 800	3 400	NU318E.TVP2	5,39
	90	190	43	3	3	169,5	113,5	161,6			315	345	2 800	3 400	NU318E.M1	6,00
	90	190	43	3	3	169,5	113,5	161,6			315	345	2 800	3 400	NU318E.M1A	6,00
	90	190	43	3	3	169,5	113,5	161,6	124		315	345	2 800	3 400	NJ318E.TVP2	5,49
	90	190	43	3	3	169,5	113,5	161,6	124		315	345	2 800	3 400	NJ318E.M1	6,13
	90	190	43	3	3	169,5	113,5	161,6	124		315	345	2 800	3 400	NJ318E.M1A	6,13
	90	190	43	3	3	169,5	113,5	161,6	124		315	345	2 800	3 400	NUP318E.TVP2	5,59
	90	190	43	3	3	169,5	113,5	161,6	124		315	345	2 800	3 400	NUP318E.M1	6,24
	90	190	43	3	3	169,5	113,5	161,6	124		315	345	2 800	3 400	NUP318E.M1A	6,24
	90	190	64	3	3	169,5	113,5	161,6			430	530	2 800	3 400	NU2318E.TVP2	8,00
	90	190	64	3	3	169,5	113,5	161,6			430	530	2 800	3 400	NU2318E.M1	8,80
	90	190	64	3	3	169,5	113,5	161,6			430	530	2 800	3 400	NU2318E.M1A	8,80
	90	190	64	3	3	169,5	113,5	161,6	124		430	530	2 800	3 400	NJ2318E.TVP2	8,15
	90	190	64	3	3	169,5	113,5	161,6	124		430	530	2 800	3 400	NJ2318E.M1	8,97
	90	190	64	3	3	169,5	113,5	161,6	124		430	530	2 800	3 400	NJ2318E.M1A	8,97
	90	190	64	3	3	169,5	113,5	161,6	124		430	530	2 800	3 400	NUP2318E.TVP2	8,31
	90	190	64	3	3	169,5	113,5	161,6	124		430	530	2 800	3 400	NUP2318E.M1	9,10
	90	190	64	3	3	169,5	113,5	161,6	124		430	530	2 800	3 400	NUP2318E.M1A	9,10
	90	225	54	4	4	191,5	123,5	179,7			365	390	2 600	3 200	NU418J	10,9
	90	225	54	4	4	191,5	123,5	179,7			365	390	2 600	3 200	NU418M1	11,5
	90	225	54	4	4	191,5	123,5	179,7	136,8		365	390	2 600	3 200	NJ418J	11,1
	90	225	54	4	4	191,5	123,5	179,7	136,8		365	390	2 600	3 200	NJ418M1	11,7

Cylindrical roller bearings

single-row



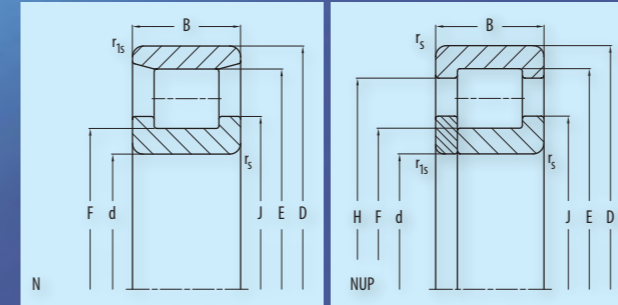
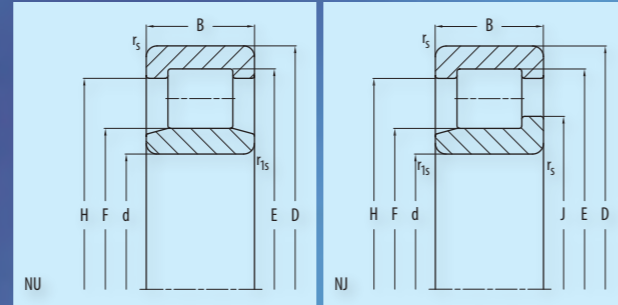
Cylindrical roller bearings

single-row

Shaft	Dimension (mm)									Load rating (kN)		Speed limit (min ⁻¹)		Code	Weight (kg)	
	d	D	B	r _s	r _{1s}	E	F	H	J	C	C ₀	Grease	Oil	Bearing		
				min	min					dyn.	stat.					
95	95	145	24	1,5	1,1	132	108	127,8		96,5	129	5 000	8 000	NU1019M1	1,42	
	95	170	32	2,1	2,1	154,5	112,5		120,5	220	265	3 200	3 800	N219E.TVP2	2,86	
	95	170	32	2,1	2,1	154,5	112,5	148,6		220	265	3 200	3 800	NU219E.TVP2	2,88	
	95	170	32	2,1	2,1	154,5	112,5	148,6		220	265	3 200	3 800	NU219E.M1	3,11	
	95	170	32	2,1	2,1	154,5	112,5	148,6		220	265	3 200	3 800	NU219E.M1A	3,11	
	95	170	32	2,1	2,1	154,5	112,5	148,6	120,5	220	265	3 200	3 800	NJ219E.TVP2	2,94	
	95	170	32	2,1	2,1	154,5	112,5	148,6	120,5	220	265	3 200	3 800	NJ219E.M1	3,19	
	95	170	32	2,1	2,1	154,5	112,5	148,6	120,5	220	265	3 200	3 800	NJ219E.M1A	3,19	
	95	170	32	2,1	2,1	154,5	112,5	148,6	120,7	220	265	3 200	3 800	NUP219E.TVP2	2,99	
	95	170	32	2,1	2,1	154,5	112,5	148,6	120,7	220	265	3 200	3 800	NUP219E.M1	3,25	
	95	170	32	2,1	2,1	154,5	112,5	148,6	120,7	220	265	3 200	3 800	NUP219E.M1A	3,25	
	95	170	43	2,1	2,1	154,5	112,5	148,6			285	375	3 200	3 800	NU2219E.TVP2	3,88
	95	170	43	2,1	2,1	154,5	112,5	148,6			285	375	3 200	3 800	NU2219E.M1	4,27
	95	170	43	2,1	2,1	154,5	112,5	148,6			285	375	3 200	3 800	NU2219E.M1A	4,27
	95	170	43	2,1	2,1	154,5	112,5	148,6	120,5		285	375	3 200	3 800	NJ2219E.TVP2	3,95
	95	170	43	2,1	2,1	154,5	112,5	148,6	120,5		285	375	3 200	3 800	NJ2219E.M1	4,35
	95	170	43	2,1	2,1	154,5	112,5	148,6	120,5		285	375	3 200	3 800	NJ2219E.M1A	4,35
	95	170	43	2,1	2,1	154,5	112,5	148,6	120,7		285	375	3 200	3 800	NUP2219E.TVP2	4,02
	95	170	43	2,1	2,1	154,5	112,5	148,6	120,7		285	375	3 200	3 800	NUP2219E.M1	4,44
	95	170	43	2,1	2,1	154,5	112,5	148,6	120,7		285	375	3 200	3 800	NUP2219E.M1A	4,44
	95	200	45	3	3	177,5	121,5	169,6			335	380	2 800	3 400	NU319E.TVP2	6,31
	95	200	45	3	3	177,5	121,5	169,6			335	380	2 800	3 400	NU319E.M1	6,92
	95	200	45	3	3	177,5	121,5	169,6			335	380	2 800	3 400	NU319E.M1A	6,92
	95	200	45	3	3	177,5	121,5	169,6	132		335	380	2 800	3 400	NJ319E.TVP2	6,43
	95	200	45	3	3	177,5	121,5	169,6	132		335	380	2 800	3 400	NJ319E.M1	7,09
	95	200	45	3	3	177,5	121,5	169,6	132		335	380	2 800	3 400	NJ319E.M1A	7,09
	95	200	45	3	3	177,5	121,5	169,6	132		335	380	2 800	3 400	NUP319E.TVP2	6,53
	95	200	45	3	3	177,5	121,5	169,6	132		335	380	2 800	3 400	NUP319E.M1	7,20
	95	200	45	3	3	177,5	121,5	169,6	132		335	380	2 800	3 400	NUP319E.M1A	7,20

Cylindrical roller bearings

single-row



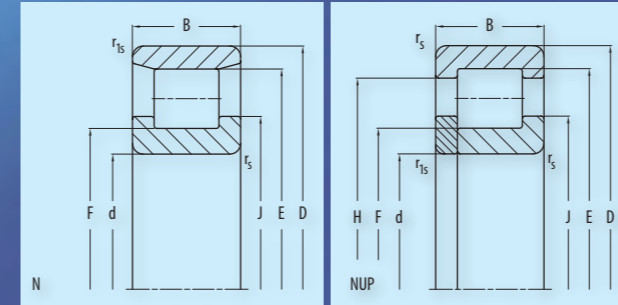
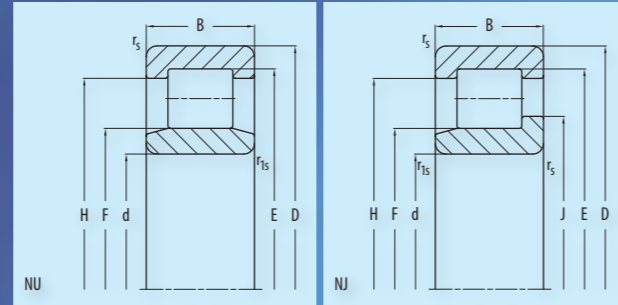
Cylindrical roller bearings

single-row

Shaft	Dimension (mm)									Load rating (kN)		Speed limit (min ⁻¹)		Code	Weight (kg)
	d	D	B	r _s	r _{1s}	E	F	H	J	C	C ₀	Grease	Oil	Bearing	
				min	min					dyn.	stat.				
95	95	200	67	3	3	177,5	121,5	169,6		455	585	2 800	3 400	NU2319E.TVP2	9,34
	95	200	67	3	3	177,5	121,5	169,6		455	585	2 800	3 400	NU2319E.M1	10,3
	95	200	67	3	3	177,5	121,5	169,6		455	585	2 800	3 400	NU2319E.M1A	10,3
	95	200	67	3	3	177,5	121,5	169,6	132	455	585	2 800	3 400	NJ2319E.TVP2	9,52
	95	200	67	3	3	177,5	121,5	169,6	132	455	585	2 800	3 400	NJ2319E.M1	10,5
	95	200	67	3	3	177,5	121,5	169,6	132	455	585	2 800	3 400	NJ2319E.M1A	10,5
	95	200	67	3	3	177,5	121,5	169,6	132	455	585	2 800	3 400	NUP2319E.TVP2	9,71
	95	200	67	3	3	177,5	121,5	169,6	132	455	585	2 800	3 400	NUP2319E.M1	10,7
	95	200	67	3	3	177,5	121,5	169,6	132	455	585	2 800	3 400	NUP2319E.M1A	10,7
	95	240	55	4	4	201,5	133,5	189,7		390	430	2 400	3 000	NU419M1	13,5
95	240	55	4	4	201,5	133,5	189,7	146,8	390	430	2 400	3 000	NJ419M1	13,7	
100	100	150	24	1,5	1,1	137	113	132,8		98	134	4 000	4 800	NU1020M1	1,52
	100	180	34	2,1	2,1	163	119		127,3	250	305	3 200	3 800	N220E.TVP2	3,45
	100	180	34	2,1	2,1	163	119	156,9		250	305	3 200	3 800	NU220E.TVP2	3,48
	100	180	34	2,1	2,1	163	119	156,9		250	305	3 200	3 800	NU220E.M1	3,74
	100	180	34	2,1	2,1	163	119	156,9		250	305	3 200	3 800	NU220E.M1A	3,74
	100	180	34	2,1	2,1	163	119	156,9	127,3	250	305	3 200	3 800	NJ220E.TVP2	3,55
	100	180	34	2,1	2,1	163	119	156,9	127,3	250	305	3 200	3 800	NJ220E.M1	3,83
	100	180	34	2,1	2,1	163	119	156,9	127,3	250	305	3 200	3 800	NJ220E.M1A	3,83
	100	180	34	2,1	2,1	163	119	156,9	127,3	250	305	3 200	3 800	NUP220E.TVP2	3,61
	100	180	34	2,1	2,1	163	119	156,9	127,3	250	305	3 200	3 800	NUP220E.M1	3,92
	100	180	34	2,1	2,1	163	119	156,9	127,3	250	305	3 200	3 800	NUP220E.M1A	3,92
	100	180	46	2,1	2,1	163	119		127,3	335	440	3 200	3 800	N2220E.M1	5,28
	100	180	46	2,1	2,1	163	119	156,9		335	440	3 200	3 800	NU2220E.TVP2	4,77
	100	180	46	2,1	2,1	163	119	156,9		335	440	3 200	3 800	NU2220E.M1	5,25
	100	180	46	2,1	2,1	163	119	156,9		335	440	3 200	3 800	NU2220E.M1A	5,25
	100	180	46	2,1	2,1	163	119	156,9	127,3	335	440	3 200	3 800	NJ2220E.TVP2	4,85
	100	180	46	2,1	2,1	163	119	156,9	127,3	335	440	3 200	3 800	NJ2220E.M1	5,26
	100	180	46	2,1	2,1	163	119	156,9	127,3	335	440	3 200	3 800	NJ2220E.M1A	5,26
	100	180	46	2,1	2,1	163	119	156,9	127,3	335	440	3 200	3 800	NUP2220E.TVP2	4,92
	100	180	46	2,1	2,1	163	119	156,9	127,3	335	440	3 200	3 800	NUP2220E.M1	5,41
	100	180	46	2,1	2,1	163	119	156,9	127,3	335	440	3 200	3 800	NUP2220E.M1A	5,41

Cylindrical roller bearings

single-row



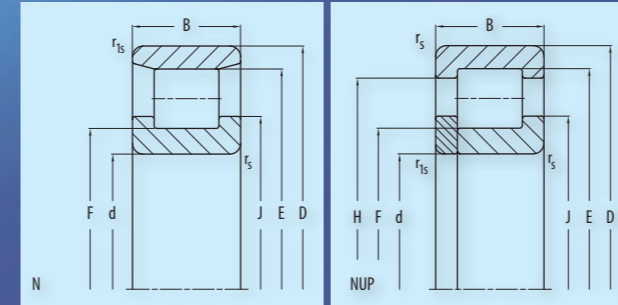
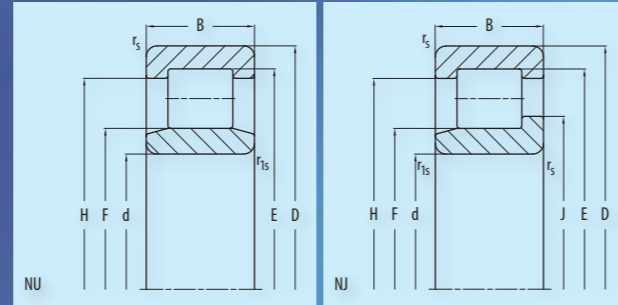
Cylindrical roller bearings

single-row

Shaft	Dimension (mm)									Load rating (kN)		Speed limit (min ⁻¹)		Code	Weight (kg)
	d	D	B	r _s	r _{1s}	E	F	H	J	C	C ₀	Grease	Oil	Bearing	
				min	min					dyn.	stat.				
100	100	215	47	3	3	191,5	127,5		139,4	380	425	2 600	3 200	N320E.M1	8,42
	100	215	47	3	3	191,5	127,5	181,9		380	425	2 600	3 200	NU320E.TVP2	7,61
	100	215	47	3	3	191,5	127,5	181,9		380	425	2 600	3 200	NU320E.M1	8,45
	100	215	47	3	3	191,5	127,5	181,9		380	425	2 600	3 200	NU320E.M1A	8,45
	100	215	47	3	3	191,5	127,5	181,9	139,4	380	425	2 600	3 200	NJ320E.TVP2	7,76
	100	215	47	3	3	191,5	127,5	181,9	139,4	380	425	2 600	3 200	NJ320E.M1	8,53
	100	215	47	3	3	191,5	127,5	181,9	139,4	380	425	2 600	3 200	NJ320E.M1A	8,53
	100	215	47	3	3	191,5	127,5	181,9	139,4	380	425	2 600	3 200	NUP320E.TVP2	7,91
	100	215	47	3	3	191,5	127,5	181,9	139,4	380	425	2 600	3 200	NUP320E.M1	8,65
	100	215	47	3	3	191,5	127,5	181,9	139,4	380	425	2 600	3 200	NUP320E.M1A	8,65
	100	215	73	3	3	191,5	127,5	181,9		570	720	2 600	3 200	NU2320E.TVP2	12,0
	100	215	73	3	3	191,5	127,5	181,9		570	720	2 600	3 200	NU2320E.M1	13,2
	100	215	73	3	3	191,5	127,5	181,9		570	720	2 600	3 200	NU2320E.M1A	13,2
	100	215	73	3	3	191,5	127,5	181,9	139,4	570	720	2 600	3 200	NJ2320E.TVP2	12,2
	100	215	73	3	3	191,5	127,5	181,9	139,4	570	720	2 600	3 200	NJ2320E.M1	13,4
	100	215	73	3	3	191,5	127,5	181,9	139,4	570	720	2 600	3 200	NJ2320E.M1A	13,4
	100	215	73	3	3	191,5	127,5	181,9	139,4	570	720	2 600	3 200	NUP2320E.TVP2	12,4
	100	215	73	3	3	191,5	127,5	181,9	139,4	570	720	2 600	3 200	NUP2320E.M1	13,6
100	215	73	3	3	191,5	127,5	181,9	139,4	570	720	2 600	3 200	NUP2320E.M1A	13,6	
100	100	250	58	4	4	211	139	198,2		440	490	2 400	3 000	NU420M1	15,5
	100	250	58	4	4	211	139	198,2	152,8	440	490	2 400	3 000	NJ420M1	15,7
105	105	160	26	2	1,1	145,5	119,5	141		112	153	4 800	7 000	NU1021M1	1,84
	105	190	36	2,1	2,1	171,5	125,5	165,1		260	320	3 000	3 600	NU221E.TVP2	3,67
	105	190	36	2,1	2,1	171,5	125,5	165,1		260	320	3 000	3 600	NU221E.M1	4,33
	105	190	36	2,1	2,1	171,5	125,5	165,1		260	320	3 000	3 600	NU221E.M1A	4,33
	105	190	36	2,1	2,1	171,5	125,5	165,1	134,5	260	320	3 000	3 600	NJ221E.TVP2	3,75
	105	190	36	2,1	2,1	171,5	125,5	165,1	134,5	260	320	3 000	3 600	NJ221E.M1	4,42
	105	190	36	2,1	2,1	171,5	125,5	165,1	134,5	260	320	3 000	3 600	NJ221E.M1A	4,42
	105	190	36	2,1	2,1	171,5	125,5	165,1	134,5	260	320	3 000	3 600	NUP221E.TVP2	3,87
	105	190	36	2,1	2,1	171,5	125,5	165,1	134,5	260	320	3 000	3 600	NUP221E.M1	4,51
	105	190	36	2,1	2,1	171,5	125,5	165,1	134,5	260	320	3 000	3 600	NUP221E.M1A	4,51

Cylindrical roller bearings

single-row



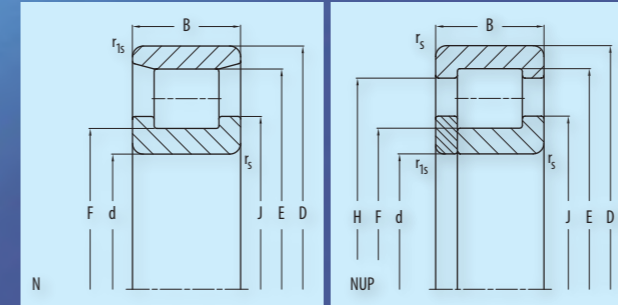
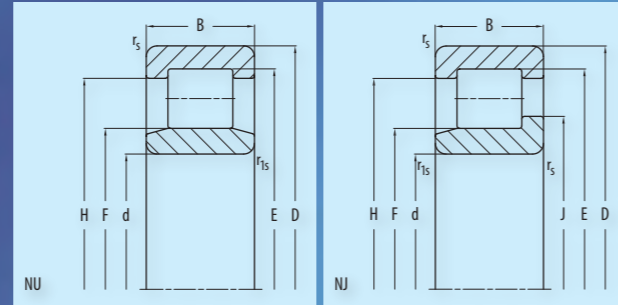
Cylindrical roller bearings

single-row

Shaft	Dimension (mm)									Load rating (kN)		Speed limit (min ⁻¹)		Code	Weight (kg)
	d	D	B	r _s	r _{1s}	E	F	H	J	C	C ₀	Grease	Oil	Bearing	
				min	min					dyn.	stat.				
105	105	225	49	3	3	195	135	183,8		335	380	2 600	3 200	NU321E.M1	9,70
	105	225	49	3	3	195	135	183,8		335	380	2 600	3 200	NU321E.M1A	9,70
	105	225	49	3	3	195	135	183,8	147	335	380	2 600	3 200	NJ321E.M1	9,90
	105	225	49	3	3	195	135	183,8	147	335	380	2 600	3 200	NJ321E.M1A	9,90
	105	225	49	3	3	195	135	183,8	147	335	380	2 600	3 200	NUP321E.M1	10,2
	105	225	49	3	3	195	135	183,8	147	335	380	2 600	3 200	NUP321E.M1A	10,2
	105	260	60	4	4	220,5	144,5	207,4		490	540	2 200	2 800	NU421M1	19,0
	105	260	60	4	4	220,5	144,5	207,4	158,8	490	540	2 200	2 800	NJ421M1	19,2
110	110	170	28	2	1,1	155	125	149,7		140	190	3 600	4 300	NU1022M1	2,38
	110	170	28	2	1,1	155	125	149,7	130,8	140	190	3 600	4 300	NUP1022M1	2,58
	110	200	38	2,1	2,1	180,5	132,5		141,6	290	365	2 800	3 400	N222E.TVP2	4,81
	110	200	38	2,1	2,1	180,5	132,5	173,8		290	365	2 800	3 400	NU222E.TVP2	4,84
	110	200	38	2,1	2,1	180,5	132,5	173,8		290	365	2 800	3 400	NU222E.M1	5,50
	110	200	38	2,1	2,1	180,5	132,5	173,8		290	365	2 800	3 400	NU222E.M1A	5,50
	110	200	38	2,1	2,1	180,5	132,5	173,8	141,6	290	365	2 800	3 400	NJ222E.TVP2	4,93
	110	200	38	2,1	2,1	180,5	132,5	173,8	141,6	290	365	2 800	3 400	NJ222E.M1	5,60
	110	200	38	2,1	2,1	180,5	132,5	173,8	141,6	290	365	2 800	3 400	NJ222E.M1A	5,60
	110	200	38	2,1	2,1	180,5	132,5	173,8	141,6	290	365	2 800	3 400	NUP222E.TVP2	5,03
	110	200	38	2,1	2,1	180,5	132,5	173,8	141,6	290	365	2 800	3 400	NUP222E.M1	5,67
	110	200	38	2,1	2,1	180,5	132,5	173,8	141,6	290	365	2 800	3 400	NUP222E.M1A	5,67
	110	200	53	2,1	2,1	180,5	132,5	173,8		380	520	2 800	3 400	NU2222E.TVP2	6,73
	110	200	53	2,1	2,1	180,5	132,5	173,8		380	520	2 800	3 400	NU2222E.M1	7,40
	110	200	53	2,1	2,1	180,5	132,5	173,8		380	520	2 800	3 400	NU2222E.M1A	7,40
	110	200	53	2,1	2,1	180,5	132,5	173,8	141,6	380	520	2 800	3 400	NJ2222E.TVP2	6,86
	110	200	53	2,1	2,1	180,5	132,5	173,8	141,6	380	520	2 800	3 400	NJ2222E.M1	7,55
	110	200	53	2,1	2,1	180,5	132,5	173,8	141,6	380	520	2 800	3 400	NJ2222E.M1A	7,55
	110	200	53	2,1	2,1	180,5	132,5	173,8	141,6	380	520	2 800	3 400	NUP2222E.TVP2	6,99
	110	200	53	2,1	2,1	180,5	132,5	173,8	141,6	380	520	2 800	3 400	NUP2222E.M1	7,69
110	200	53	2,1	2,1	180,5	132,5	173,8	141,6	380	520	2 800	3 400	NUP2222E.M1A	7,69	

Cylindrical roller bearings

single-row



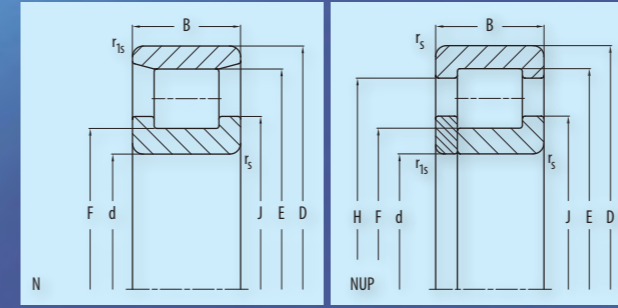
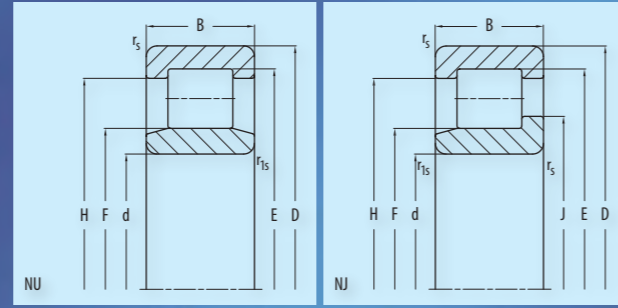
Cylindrical roller bearings

single-row

Shaft	Dimension (mm)									Load rating (kN)		Speed limit (min ⁻¹)		Code	Weight (kg)
	d	D	B	r _s	r _{1s}	E	F	H	J	C	C ₀	Grease	Oil	Bearing	
				min	min					dyn.	stat.				
110	110	240	50	3	3	211	143	200,9		415	475	2 400	3 000	NU322E.TVP2	10,5
	110	240	50	3	3	211	143	200,9		415	475	2 400	3 000	NU322E.M1	11,6
	110	240	50	3	3	211	143	200,9		415	475	2 400	3 000	NU322E.M1A	11,6
	110	240	50	3	3	211	143	200,9	155,6	415	475	2 400	3 000	NJ322E.TVP2	10,7
	110	240	50	3	3	211	143	200,9	155,6	415	475	2 400	3 000	NJ322E.M1	11,9
	110	240	50	3	3	211	143	200,9	155,6	415	475	2 400	3 000	NJ322E.M1A	11,9
	110	240	50	3	3	211	143	200,9	155,6	415	475	2 400	3 000	NUP322E.TVP2	10,9
	110	240	50	3	3	211	143	200,9	155,6	415	475	2 400	3 000	NUP322E.M1	12,1
	110	240	50	3	3	211	143	200,9	155,6	415	475	2 400	3 000	NUP322E.M1A	12,1
	110	240	80	3	3	211	143	200,9		630	800	2 200	2 800	NU2322E.TVP2	16,8
	110	240	80	3	3	211	143	200,9		630	800	2 200	2 800	NU2322E.M1	18,5
	110	240	80	3	3	211	143	200,9		630	800	2 200	2 800	NU2322E.M1A	18,5
	110	240	80	3	3	211	143	200,9	155,6	630	800	2 200	2 800	NJ2322E.TVP2	17,1
	110	240	80	3	3	211	143	200,9	155,6	630	800	2 200	2 800	NJ2322E.M1	18,8
	110	240	80	3	3	211	143	200,9	155,6	630	800	2 200	2 800	NJ2322E.M1A	18,8
	110	240	80	3	3	211	143	200,9	155,6	630	800	2 200	2 800	NUP2322E.TVP2	17,9
	110	240	80	3	3	211	143	200,9	155,6	630	800	2 200	2 800	NUP2322E.M1	19,1
	110	240	80	3	3	211	143	200,9	155,6	630	800	2 200	2 800	NUP2322E.M1A	19,1
110	280	65	4	4	235	155	220,9		540	610	2 200	2 800	NU422M1	22,0	
110	280	65	4	4	235	155	220,9	170,3	540	610	2 200	2 800	NJ422M1	22,2	
120	120	180	28	2	1,1	165	135	159,7		150	208	3 400	4 000	NU1024M1	2,55
	120	215	40	2,1	2,1	195,5	143,5	187,8		335	415	2 600	3 200	NU224E.TVP2	5,78
	120	215	40	2,1	2,1	195,5	143,5	187,8		335	415	2 600	3 200	NU224E.M1	6,31
	120	215	40	2,1	2,1	195,5	143,5	187,8		335	415	2 600	3 200	NU224E.M1A	6,31
	120	215	40	2,1	2,1	195,5	143,5	187,8	153,2	335	415	2 600	3 200	NJ224E.TVP2	5,89
	120	215	40	2,1	2,1	195,5	143,5	187,8	153,2	335	415	2 600	3 200	NJ224E.M1	6,40
	120	215	40	2,1	2,1	195,5	143,5	187,8	153,2	335	415	2 600	3 200	NJ224E.M1A	6,40
	120	215	40	2,1	2,1	195,5	143,5	187,8	153,2	335	415	2 600	3 200	NUP224E.TVP2	5,99
	120	215	40	2,1	2,1	195,5	143,5	187,8	153,2	335	415	2 600	3 200	NUP224E.M1	6,50
	120	215	40	2,1	2,1	195,5	143,5	187,8	153,2	335	415	2 600	3 200	NUP224E.M1A	6,50

Cylindrical roller bearings

single-row



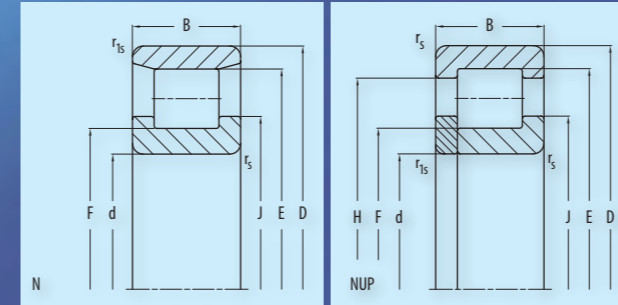
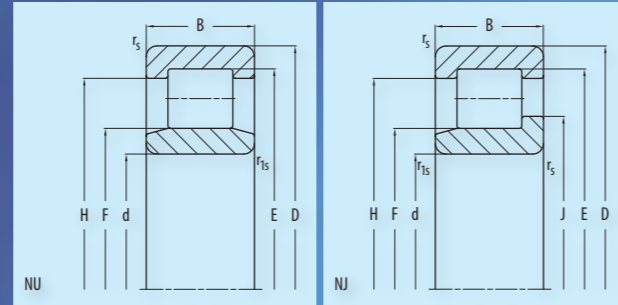
Cylindrical roller bearings

single-row

Shaft	Dimension (mm)									Load rating (kN)		Speed limit (min ⁻¹)		Code	Weight (kg)
	d	D	B	r _s	r _{1s}	E	F	H	J	C	C ₀	Grease	Oil	Bearing	
				min	min										
120	120	215	58	2,1	2,1	195,5	143,5	187,8		450	610	2 600	3 200	NU2224E.TVP2	8,36
	120	215	58	2,1	2,1	195,5	143,5	187,8		450	610	2 600	3 200	NU2224E.M1	9,20
	120	215	58	2,1	2,1	195,5	143,5	187,8		450	610	2 600	3 200	NU2224E.M1A	9,20
	120	215	58	2,1	2,1	195,5	143,5	187,8	153,2	450	610	2 600	3 200	NJ2224E.TVP2	8,52
	120	215	58	2,1	2,1	195,5	143,5	187,8	153,2	450	610	2 600	3 200	NJ2224E.M1	9,37
	120	215	58	2,1	2,1	195,5	143,5	187,8	153,2	450	610	2 600	3 200	NJ2224E.M1A	9,37
	120	215	58	2,1	2,1	195,5	143,5	187,8	153,2	450	610	2 600	3 200	NUP2224E.TVP2	8,68
	120	215	58	2,1	2,1	195,5	143,5	187,8	153,2	450	610	2 600	3 200	NUP2224E.M1	9,55
	120	215	58	2,1	2,1	195,5	143,5	187,8	153,2	450	610	2 600	3 200	NUP2224E.M1A	9,55
	120	260	55	3	3	230	154	218,7		520	600	2 200	2 800	NU324E.TVP2	13,2
	120	260	55	3	3	230	154	218,7		520	600	2 200	2 800	NU324E.M1	14,4
	120	260	55	3	3	230	154	218,7		520	600	2 200	2 800	NU324E.M1A	14,4
	120	260	55	3	3	230	154	218,7	168,1	520	600	2 200	2 800	NJ324E.TVP2	13,5
	120	260	55	3	3	230	154	218,7	168,1	520	600	2 200	2 800	NJ324E.M1	15,1
	120	260	55	3	3	230	154	218,7	168,1	520	600	2 200	2 800	NJ324E.M1A	15,1
	120	260	55	3	3	230	154	218,7	168,1	520	600	2 200	2 800	NUP324E.TVP2	13,7
	120	260	55	3	3	230	154	218,7	168,1	520	600	2 200	2 800	NUP324E.M1	16,0
	120	260	55	3	3	230	154	218,7	168,1	520	600	2 200	2 800	NUP324E.M1A	16,0
	120	260	86	3	3	230	154	218,7		780	1 020	2 000	2 600	NU2324E.M1	23,5
	120	260	86	3	3	230	154	218,7		780	1 020	2 000	2 600	NU2324E.M1A	23,5
	120	260	86	3	3	230	154	218,7	168,1	780	1 020	2 000	2 600	NJ2324E.M1	23,8
	120	260	86	3	3	230	154	218,7	168,1	780	1 020	2 000	2 600	NJ2324E.M1A	23,8
	120	260	86	3	3	230	154	218,7	168,1	780	1 020	2 000	2 600	NUP2324E.M1	24,0
	120	260	86	3	3	230	154	218,7	168,1	780	1 020	2 000	2 600	NUP2324E.M1A	24,0
120	310	72	5	5	260	170	243,9		670	780	1 900	2 400	NU424M1	30,2	
120	310	72	5	5	260	170	243,9	187,3	670	780	1 900	2 400	NJ424M1	30,5	
130	130	200	33	2	1,1	182	148	175,9		180	250	3 000	3 600	NU1026M1	3,91
	130	230	40	3	3	209,5	153,5	201,2		360	450	2 400	3 000	NU226E.TVP2	6,48
	130	230	40	3	3	209,5	153,5	201,2		360	450	2 400	3 000	NU226E.M1	7,24
	130	230	40	3	3	209,5	153,5	201,2		360	450	2 400	3 000	NU226E.M1A	7,24
	130	230	40	3	3	209,5	153,5	201,2	163,9	360	450	2 400	3 000	NJ226E.TVP2	6,60
	130	230	40	3	3	209,5	153,5	201,2	163,9	360	450	2 400	3 000	NJ226E.M1	7,53
	130	230	40	3	3	209,5	153,5	201,2	163,9	360	450	2 400	3 000	NJ226E.M1A	7,53
	130	230	40	3	3	209,5	153,5	201,2	163,9	360	450	2 400	3 000	NUP226E.TVP2	6,72
	130	230	40	3	3	209,5	153,5	201,2	163,9	360	450	2 400	3 000	NUP226E.M1	7,95
	130	230	40	3	3	209,5	153,5	201,2	163,9	360	450	2 400	3 000	NUP226E.M1A	7,95

Cylindrical roller bearings

single-row



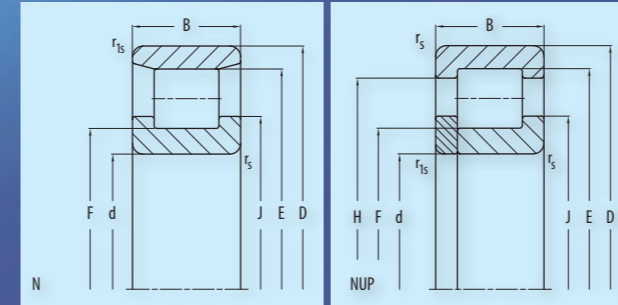
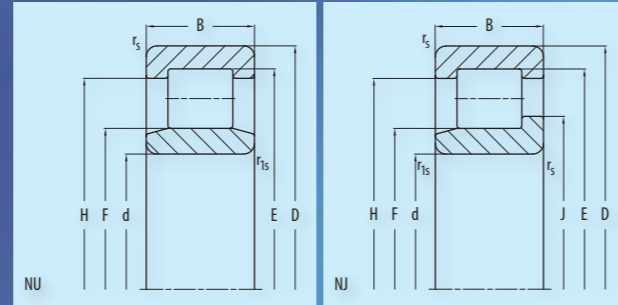
Cylindrical roller bearings

single-row

Shaft	Dimension (mm)									Load rating (kN)		Speed limit (min ⁻¹)		Code	Weight (kg)
	d	D	B	r _s	r _{1s}	E	F	H	J	C	C ₀	Grease	Oil	Bearing	
				min	min					dyn.	stat.				
130	130	230	64	3	3	209,5	153,5	201,2		530	735	2 400	3 000	NU2226E.TVP2	10,3
	130	230	64	3	3	209,5	153,5	201,2		530	735	2 400	3 000	NU2226E.M1	11,3
	130	230	64	3	3	209,5	153,5	201,2		530	735	2 400	3 000	NU2226E.M1A	11,3
	130	230	64	3	3	209,5	153,5	201,2	163,9	530	735	2 400	3 000	NJ2226E.TVP2	10,5
	130	230	64	3	3	209,5	153,5	201,2	163,9	530	735	2 400	3 000	NJ2226E.M1	11,6
	130	230	64	3	3	209,5	153,5	201,2	163,9	530	735	2 400	3 000	NJ2226E.M1A	11,6
	130	230	64	3	3	209,5	153,5	201,2	163,9	530	735	2 400	3 000	NUP2226E.TVP2	10,8
	130	230	64	3	3	209,5	153,5	201,2	163,9	530	735	2 400	3 000	NUP2226E.M1	11,8
	130	230	64	3	3	209,5	153,5	201,2	163,9	530	735	2 400	3 000	NUP2226E.M1A	11,8
	130	280	58	4	4	247	167	235,2		570	670	2 000	2 600	NU326E.TVP2	16,4
	130	280	58	4	4	247	167	235,2		570	670	2 000	2 600	NU326E.M1	18,2
	130	280	58	4	4	247	167	235,2		570	670	2 000	2 600	NU326E.M1A	18,2
	130	280	58	4	4	247	167	235,2	181,7	570	670	2 000	2 600	NJ326E.TVP2	16,7
	130	280	58	4	4	247	167	235,2	181,7	570	670	2 000	2 600	NJ326E.M1	18,7
	130	280	58	4	4	247	167	235,2	181,7	570	670	2 000	2 600	NJ326E.M1A	18,7
	130	280	58	4	4	247	167	235,2	181,7	570	670	2 000	2 600	NUP326E.TVP2	17,1
	130	280	58	4	4	247	167	235,2	181,7	570	670	2 000	2 600	NUP326E.M1	18,8
	130	280	58	4	4	247	167	235,2	181,7	570	670	2 000	2 600	NUP326E.M1A	18,8
	130	280	93	4	4	247	167	235,2		915	1 220	1 900	2 400	NU2326E.M1	29,2
	130	280	93	4	4	247	167	235,2		915	1 220	1 900	2 400	NU2326E.M1A	29,2
130	280	93	4	4	247	167	235,2	181,7	915	1 220	1 900	2 400	NJ2326E.M1	29,7	
130	280	93	4	4	247	167	235,2	181,7	915	1 220	1 900	2 400	NJ2326E.M1A	29,7	
130	280	93	4	4	247	167	235,2	181,7	915	1 220	1 900	2 400	NUP2326E.M1	30,1	
130	280	93	4	4	247	167	235,2	181,7	915	1 220	1 900	2 400	NUP2326E.M1A	30,1	
140	140	210	33	2	1,1	192	158	185,9		183	265	2 800	3 400	NU1028M1	4,10
	140	250	42	3	3	225	169	216,7		390	510	2 400	3 000	NU228E.M1	9,50
	140	250	42	3	3	225	169	216,7		390	510	2 400	3 000	NU228E.M1A	9,50
	140	250	42	3	3	225	169	216,7	179,4	390	510	2 400	3 000	NJ228E.M1	9,65
	140	250	42	3	3	225	169	216,7	179,4	390	510	2 400	3 000	NJ228E.M1A	9,65
	140	250	42	3	3	225	169	216,7	179,4	390	510	2 400	3 000	NUP228E.M1	9,81
	140	250	42	3	3	225	169	216,7	179,4	390	510	2 400	3 000	NUP228E.M1A	9,81

Cylindrical roller bearings

single-row



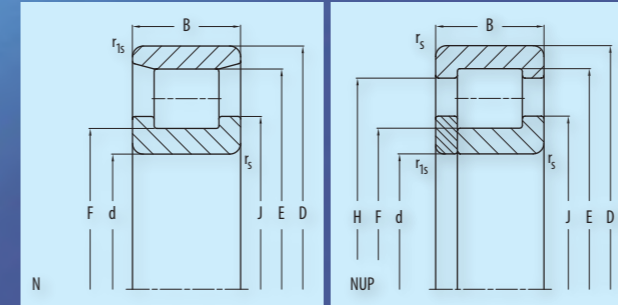
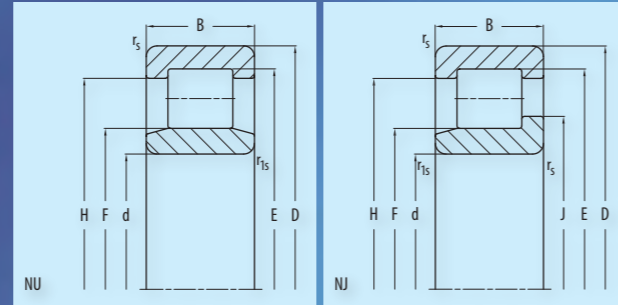
Cylindrical roller bearings

single-row

Shaft	Dimension (mm)									Load rating (kN)		Speed limit (min ⁻¹)		Code	Weight (kg)
	d	D	B	r _s	r _{1s}	E	F	H	J	C	C ₀	Grease	Oil	Bearing	
				min	min					dyn.	stat.				
140	140	250	68	3	3	225	169	216,7		570	830	2 200	2 800	NU2228E.M1	14,7
	140	250	68	3	3	225	169	216,7		570	830	2 200	2 800	NU2228E.M1A	14,7
	140	250	68	3	3	225	169	216,7	179,4	570	830	2 200	2 800	NJ2228E.M1	15,0
	140	250	68	3	3	225	169	216,7	179,4	570	830	2 200	2 800	NJ2228E.M1A	15,0
	140	250	68	3	3	225	169	216,7	179,4	570	830	2 200	2 800	NUP2228E.M1	15,2
	140	250	68	3	3	225	169	216,7	179,4	570	830	2 200	2 800	NUP2228E.M1A	15,2
	140	300	62	4	4	264	180	251,7		670	800	1 900	2 400	NU328E.TVP2	19,9
	140	300	62	4	4	264	180	251,7		670	800	1 900	2 400	NU328E.M1	22,2
	140	300	62	4	4	264	180	251,7		670	800	1 900	2 400	NU328E.M1A	22,2
	140	300	62	4	4	264	180	251,7	195,4	670	800	1 900	2 400	NJ328E.TVP2	20,3
	140	300	62	4	4	264	180	251,7	195,4	670	800	1 900	2 400	NJ328E.M1	22,3
	140	300	62	4	4	264	180	251,7	195,4	670	800	1 900	2 400	NJ328E.M1A	22,3
	140	300	62	4	4	264	180	251,7	195,4	670	800	1 900	2 400	NUP328E.TVP2	20,6
	140	300	62	4	4	264	180	251,7	195,4	670	800	1 900	2 400	NUP328E.M1	23,4
	140	300	62	4	4	264	180	251,7	195,4	670	800	1 900	2 400	NUP328E.M1A	23,4
	140	300	102	4	4	264	180	251,7		1 020	1 400	1 800	2 200	NU2328E.M1	36,5
	140	300	102	4	4	264	180	251,7		1 020	1 400	1 800	2 200	NU2328E.M1A	36,5
	140	300	102	4	4	264	180	251,7	195,4	1 020	1 400	1 800	2 200	NJ2328E.M1	37,0
	140	300	102	4	4	264	180	251,7	195,4	1 020	1 400	1 800	2 200	NJ2328E.M1A	37,0
	140	300	102	4	4	264	180	251,7	195,4	1 020	1 400	1 800	2 200	NUP2328E.M1	37,2
140	300	102	4	4	264	180	251,7	195,4	1 020	1 400	1 800	2 200	NUP2328E.M1A	37,2	
150	150	225	35	2,1	1,5	205,5	169,5	199		208	310	2 600	3 200	NU1030M1	4,99
	150	270	45	3	3	242	182	233,2		440	585	2 200	2 800	NU230E.M1	12,0
	150	270	45	3	3	242	182	233,2		440	585	2 200	2 800	NU230E.M1A	12,0
	150	270	45	3	3	242	182	233,2	193,1	440	585	2 200	2 800	NJ230E.M1	12,2
	150	270	45	3	3	242	182	233,2	193,1	440	585	2 200	2 800	NJ230E.M1A	12,2
	150	270	45	3	3	242	182	233,2	193,1	440	585	2 200	2 800	NUP230E.M1	12,4
	150	270	45	3	3	242	182	233,2	193,1	440	585	2 200	2 800	NUP230E.M1A	12,4
	150	270	73	3	3	242	182	233,2		655	980	2 000	2 600	NU2230E.M1	18,7
	150	270	73	3	3	242	182	233,2		655	980	2 000	2 600	NU2230E.M1A	18,7
	150	270	73	3	3	242	182	233,2	193,1	655	980	2 000	2 600	NJ2230E.M1	19,0
	150	270	73	3	3	242	182	233,2	193,1	655	980	2 000	2 600	NJ2230E.M1A	19,0
	150	270	73	3	3	242	182	233,2	193,1	655	980	2 000	2 600	NUP2230E.M1	19,2
	150	270	73	3	3	242	182	233,2	193,1	655	980	2 000	2 600	NUP2230E.M1A	19,2

Cylindrical roller bearings

single-row



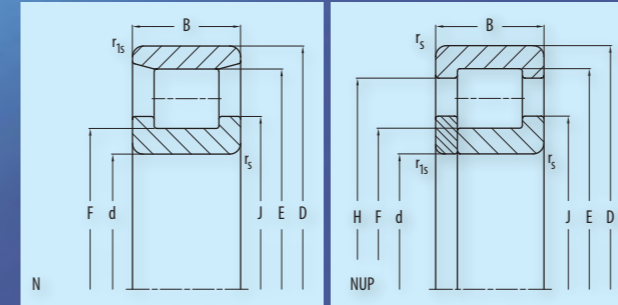
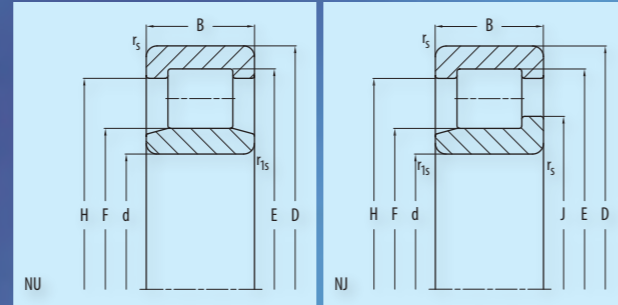
Cylindrical roller bearings

single-row

Shaft	Dimension (mm)									Load rating (kN)		Speed limit (min ⁻¹)		Code	Weight (kg)
	d	D	B	r _s	r _{1s}	E	F	H	J	C	C ₀	Grease	Oil	Bearing	
				min	min										
150	150	320	65	4	4	283	193	269,8		800	1 000	1 800	2 200	NU330E.M1	27,4
	150	320	65	4	4	283	193	269,8		800	1 000	1 800	2 200	NU330E.M1A	27,4
	150	320	65	4	4	283	193	269,8	209,4	800	1 000	1 800	2 200	NJ330E.M1	27,8
	150	320	65	4	4	283	193	269,8	209,4	800	1 000	1 800	2 200	NJ330E.M1A	27,8
	150	320	65	4	4	283	193	269,8	209,4	800	1 000	1 800	2 200	NUP330E.M1	28,1
	150	320	65	4	4	283	193	269,8	209,4	800	1 000	1 800	2 200	NUP330E.M1A	28,1
	150	320	108	4	4	283	193	269,8		1 160	1 600	1 700	2 000	NU2330E.M1	43,9
	150	320	108	4	4	283	193	269,8		1 160	1 600	1 700	2 000	NU2330E.M1A	43,9
	150	320	108	4	4	283	193	269,8	209,4	1 160	1 600	1 700	2 000	NJ2330E.M1	44,6
	150	320	108	4	4	283	193	269,8	209,4	1 160	1 600	1 700	2 000	NJ2330E.M1A	44,6
	150	320	108	4	4	283	193	269,8	209,4	1 160	1 600	1 700	2 000	NUP2330E.M1	44,8
	150	320	108	4	4	283	193	269,8	209,4	1 160	1 600	1 700	2 000	NUP2330E.M1A	44,8
160	160	240	38	2,1	1,5	220	180	212,9		245	355	2 400	3 000	NU1032M1	6,20
	160	290	48	3	3	259	195	249,6		500	670	2 000	2 600	NU232E.M1	14,9
	160	290	48	3	3	259	195	249,6		500	670	2 000	2 600	NU232E.M1A	14,9
	160	290	48	3	3	259	195	249,6	206,8	500	670	2 000	2 600	NJ232E.M1	15,1
	160	290	48	3	3	259	195	249,6	206,8	500	670	2 000	2 600	NJ232E.M1A	15,1
	160	290	48	3	3	259	195	249,6	206,8	500	670	2 000	2 600	NUP232E.M1	15,4
	160	290	48	3	3	259	195	249,6	206,8	500	670	2 000	2 600	NUP232E.M1A	15,4
	160	290	80	3	3	261	193	251,1		800	1 180	1 900	2 400	NU2232E.M1	23,9
	160	290	80	3	3	261	193	251,1		800	1 180	1 900	2 400	NU2232E.M1A	23,9
	160	290	80	3	3	261	193	251,1	206,1	800	1 180	1 900	2 400	NJ2232E.M1	24,3
	160	290	80	3	3	261	193	251,1	206,1	800	1 180	1 900	2 400	NJ2232E.M1A	24,3
	160	290	80	3	3	261	193	251,1	206,1	800	1 180	1 900	2 400	NUP2232E.M1	24,6
	160	290	80	3	3	261	193	251,1	206,1	800	1 180	1 900	2 400	NUP2232E.M1A	24,6
	160	340	68	4	4	300	204	286		865	1 060	1 600	1 900	NU332E.M1	32,1
	160	340	68	4	4	300	204	286		865	1 060	1 600	1 900	NU332E.M1A	32,1
	160	340	68	4	4	300	204	286	221,6	865	1 060	1 600	1 900	NJ332E.M1	32,6
	160	340	68	4	4	300	204	286	221,6	865	1 060	1 600	1 900	NJ332E.M1A	32,6
	160	340	68	4	4	300	204	286	221,6	865	1 060	1 600	1 900	NUP332E.M1	32,9
160	340	68	4	4	300	204	286	221,6	865	1 060	1 600	1 900	NUP332E.M1A	32,9	

Cylindrical roller bearings

single-row



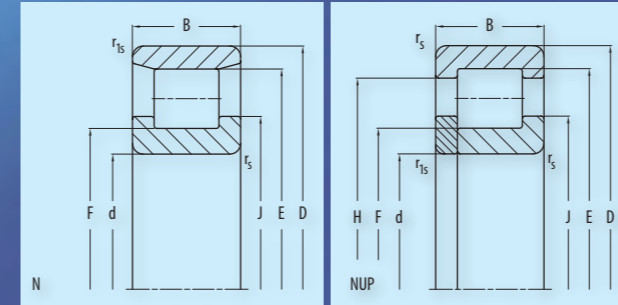
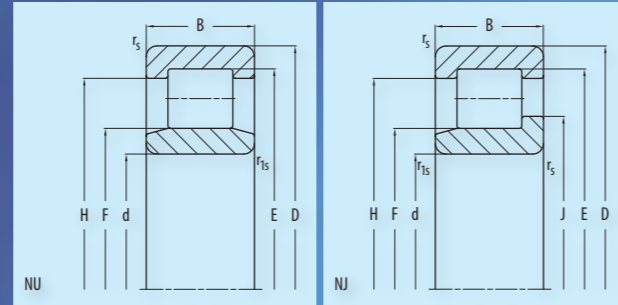
Cylindrical roller bearings

single-row

Shaft	Dimension (mm)									Load rating (kN)		Speed limit (min ⁻¹)		Code	Weight (kg)
	d	D	B	r _s	r _{1s}	E	F	H	J	C	C ₀	Grease	Oil	Bearing	
				min	min										
160	160	340	114	4	4	300	204	286		1 320	1 830	1 600	1 900	NU2332E.M1	52,4
	160	340	114	4	4	300	204	286		1 320	1 830	1 600	1 900	NU2332E.M1A	52,4
	160	340	114	4	4	300	204	286	221,6	1 320	1 830	1 600	1 900	NJ2332E.M1	52,7
	160	340	114	4	4	300	204	286	221,6	1 320	1 830	1 600	1 900	NJ2332E.M1A	52,7
	160	340	114	4	4	300	204	286	221,6	1 320	1 830	1 600	1 900	NUP2332E.M1	54,0
	160	340	114	4	4	300	204	286	221,6	1 320	1 830	1 600	1 900	NUP2332E.M1A	54,0
170	170	260	42	2,1	2,1	237	193	229,1		300	430	2 200	2 800	NU1034M1	8,36
	170	310	52	4	4	279	207		218,4	585	780	1 800	2 200	N234E.M1	18,2
	170	310	52	4	4	279	207	268,5		585	780	1 800	2 200	NU234E.M1	18,3
	170	310	52	4	4	279	207	268,5		585	780	1 800	2 200	NU234E.M1A	18,3
	170	310	52	4	4	279	207	268,5	218,4	585	780	1 800	2 200	NJ234E.M1	18,6
	170	310	52	4	4	279	207	268,5	218,4	585	780	1 800	2 200	NJ234E.M1A	18,6
	170	310	52	4	4	279	207	268,5	218,4	585	780	1 800	2 200	NUP234E.M1	18,9
	170	310	52	4	4	279	207	268,5	218,4	585	780	1 800	2 200	NUP234E.M1A	18,9
	170	310	86	4	4	281	205	269,9		950	1 400	1 700	2 000	NU2234E.M1	29,6
	170	310	86	4	4	281	205	269,9		950	1 400	1 700	2 000	NU2234E.M1A	29,6
	170	310	86	4	4	281	205	269,9	219,6	950	1 400	1 700	2 000	NJ2234E.M1	29,8
	170	310	86	4	4	281	205	269,9	219,6	950	1 400	1 700	2 000	NJ2234E.M1A	29,8
	170	310	86	4	4	281	205	269,9	219,6	950	1 400	1 700	2 000	NUP2234E.M1	30,0
	170	310	86	4	4	281	205	269,9	219,6	950	1 400	1 700	2 000	NUP2234E.M1A	30,0
	170	360	72	4	4	318	218	301,6		965	1 220	1 600	1 900	NU334E.M1	37,6
	170	360	72	4	4	318	218	301,6		965	1 220	1 600	1 900	NU334E.M1A	37,6
	170	360	72	4	4	318	218	301,6	237	965	1 220	1 600	1 900	NJ334E.M1	37,9
	170	360	72	4	4	318	218	301,6	237	965	1 220	1 600	1 900	NJ334E.M1A	37,9
	170	360	72	4	4	318	218	301,6	237	965	1 220	1 600	1 900	NUP334E.M1	38,2
	170	360	72	4	4	318	218	301,6	237	965	1 220	1 600	1 900	NUP334E.M1A	38,2
	170	360	120	4	4	320	216	303		1 500	2 080	1 500	1 800	NU2334E.M1	60,9
	170	360	120	4	4	320	216	303		1 500	2 080	1 500	1 800	NU2334E.M1A	60,9
	170	360	120	4	4	320	216	303	235,7	1 500	2 080	1 500	1 800	NJ2334E.M1	61,2
	170	360	120	4	4	320	216	303	235,7	1 500	2 080	1 500	1 800	NJ2334E.M1A	61,2
170	360	120	4	4	320	216	303	235,7	1 500	2 080	1 500	1 800	NUP2334E.M1	61,5	
170	360	120	4	4	320	216	303	235,7	1 500	2 080	1 500	1 800	NUP2334E.M1A	61,5	

Cylindrical roller bearings

single-row



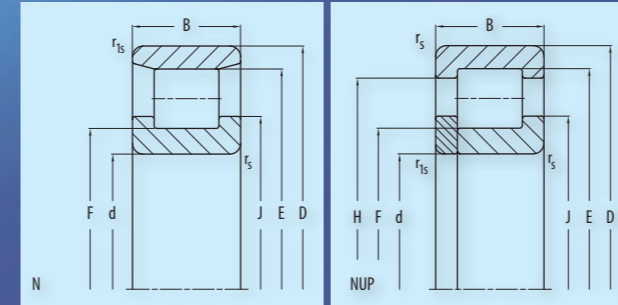
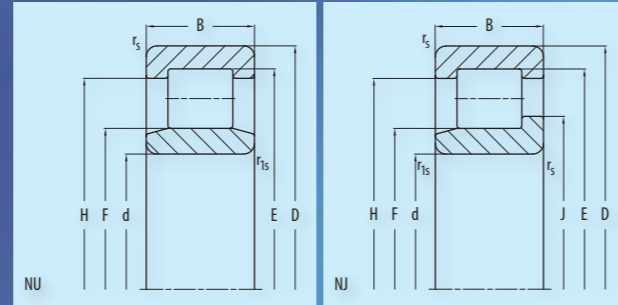
Cylindrical roller bearings

single-row

Shaft	Dimension (mm)									Load rating (kN)		Speed limit (min ⁻¹)		Code	Weight (kg)	
	d	D	B	r _s	r _{1s}	E	F	H	J	C	C ₀	Grease	Oil	Bearing		
				min	min					dyn.	stat.					
180	180	280	46	2,1	2,1	255	205	245,9			360	520	2 200	2 800	NU1036M1	10,9
	180	320	52	4	4	289	217	278,6			610	830	1 800	2 200	NU236E.M1	19,1
	180	320	52	4	4	289	217	278,6			610	830	1 800	2 200	NU236E.M1A	19,1
	180	320	52	4	4	289	217	278,6	230,8		610	830	1 800	2 200	NJ236E.M1	19,4
	180	320	52	4	4	289	217	278,6	230,8		610	830	1 800	2 200	NJ236E.M1A	19,4
	180	320	52	4	4	289	217	278,6	230,8		610	830	1 800	2 200	NUP236E.M1	19,7
	180	320	52	4	4	289	217	278,6	230,8		610	830	1 800	2 200	NUP236E.M1A	19,7
	180	320	86	4	4	291	215	280			1 000	1 500	1 700	2 000	NU2236E.M1	30,9
	180	320	86	4	4	291	215	280			1 000	1 500	1 700	2 000	NU2236E.M1A	30,9
	180	320	86	4	4	291	215	280	228,9		1 000	1 500	1 700	2 000	NJ2236E.M1	31,3
	180	320	86	4	4	291	215	280	228,9		1 000	1 500	1 700	2 000	NJ2236E.M1A	31,3
	180	320	86	4	4	291	215	280	228,9		1 000	1 500	1 700	2 000	NUP2236E.M1	31,6
	180	320	86	4	4	291	215	280	228,9		1 000	1 500	1 700	2 000	NUP2236E.M1A	31,6
	180	380	75	4	4	335	231	319,8			1 040	1 320	1 500	1 800	NU336E.M1	43,5
	180	380	75	4	4	335	231	319,8			1 040	1 320	1 500	1 800	NU336E.M1A	43,5
	180	380	75	4	4	335	231	319,8	250,5		1 040	1 320	1 500	1 800	NJ336E.M1	43,8
	180	380	75	4	4	335	231	319,8	250,5		1 040	1 320	1 500	1 800	NJ336E.M1A	43,8
	180	380	75	4	4	335	231	319,8	250,5		1 040	1 320	1 500	1 800	NUP336E.M1	44,1
	180	380	75	4	4	335	231	319,8	250,5		1 040	1 320	1 500	1 800	NUP336E.M1A	44,1
	180	380	126	4	4	339	227	320,8			1 660	2 320	1 400	1 700	NU2336E.M1	70,8
	180	380	126	4	4	339	227	320,8			1 660	2 320	1 400	1 700	NU2336E.M1A	70,8
	180	380	126	4	4	339	227	320,8	248		1 660	2 320	1 400	1 700	NJ2336E.M1	71,3
	180	380	126	4	4	339	227	320,8	248		1 660	2 320	1 400	1 700	NJ2336E.M1A	71,3
	180	380	126	4	4	339	227	320,8	248		1 660	2 320	1 400	1 700	NUP2336E.M1	71,6
180	380	126	4	4	339	227	320,8	248		1 660	2 320	1 400	1 700	NUP2336E.M1A	71,6	
190	190	290	46	2,1	2,1	265	215	255,9			365	550	2 000	2 600	NU1038M1	11,4
	190	340	55	4	4	306	230	295			680	930	1 700	2 000	NU238E.M1	23,1
	190	340	55	4	4	306	230	295			680	930	1 700	2 000	NU238E.M1A	23,1
	190	340	55	4	4	306	230	295	243,9		680	930	1 700	2 000	NJ238E.M1	23,4
	190	340	55	4	4	306	230	295	243,9		680	930	1 700	2 000	NJ238E.M1A	23,4
	190	340	55	4	4	306	230	295	243,9		680	930	1 700	2 000	NUP238E.M1	23,7
	190	340	55	4	4	306	230	295	243,9		680	930	1 700	2 000	NUP238E.M1A	23,7

Cylindrical roller bearings

single-row



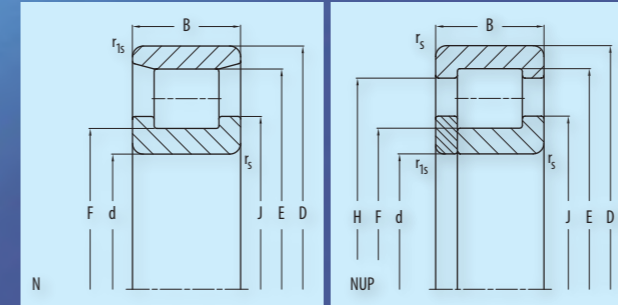
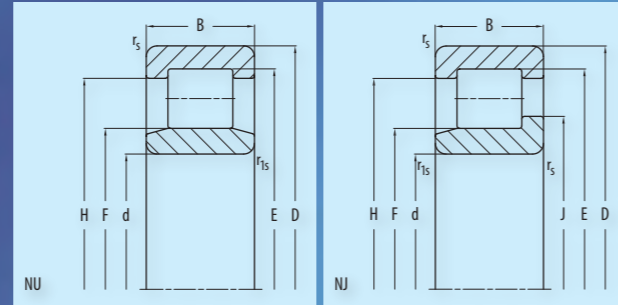
Cylindrical roller bearings

single-row

Shaft	Dimension (mm)									Load rating (kN)		Speed limit (min ⁻¹)		Code	Weight (kg)
	d	D	B	r _s	r _{1s}	E	F	H	J	C	C ₀	Grease	Oil	Bearing	
				min	min					dyn.	stat.				
190	190	340	92	4	4	308	228	296,4		1 100	1 660	1 600	1 900	NU2238E.M1	37,4
	190	340	92	4	4	308	228	296,4		1 100	1 660	1 600	1 900	NU2238E.M1A	37,4
	190	340	92	4	4	308	228	296,4	242,7	1 100	1 660	1 600	1 900	NJ2238E.M1	37,8
	190	340	92	4	4	308	228	296,4	242,7	1 100	1 660	1 600	1 900	NJ2238E.M1A	37,8
	190	340	92	4	4	308	228	296,4	242,7	1 100	1 660	1 600	1 900	NUP2238E.M1	38,2
	190	340	92	4	4	308	228	296,4	242,7	1 100	1 660	1 600	1 900	NUP2238E.M1A	38,2
	190	400	78	5	5	353	245	336		1 120	1 430	1 400	1 700	NU338E.M1	50,6
	190	400	78	5	5	353	245	336		1 120	1 430	1 400	1 700	NU338E.M1A	50,6
	190	400	132	5	5	360	240	340,5		1 900	2 650	1 400	1 700	NU2338E.M1	82,6
	190	400	132	5	5	360	240	340,5		1 900	2 650	1 400	1 700	NU2338E.M1A	82,6
	190	400	132	5	5	360	240	340,5	262,5	1 900	2 650	1 400	1 700	NJ2338E.M1	83,0
	190	400	132	5	5	360	240	340,5	262,5	1 900	2 650	1 400	1 700	NJ2338E.M1A	83,0
	190	400	132	5	5	360	240	340,5	262,5	1 900	2 650	1 400	1 700	NUP2338E.M1	83,4
	190	400	132	5	5	360	240	340,5	262,5	1 900	2 650	1 400	1 700	NUP2338E.M1A	83,4
200	200	310	51	2,1	2,1	281	229	271,5		400	600	1 900	2 400	NU1040M1	11,4
	200	360	58	4	4	323	243	311,5		750	1 040	1 600	1 900	NU240E.M1	27,5
	200	360	58	4	4	323	243	311,5		750	1 040	1 600	1 900	NU240E.M1A	27,5
	200	360	58	4	4	323	243	311,5	258,2	750	1 040	1 600	1 900	NJ240E.M1	27,9
	200	360	58	4	4	323	243	311,5	258,2	750	1 040	1 600	1 900	NJ240E.M1A	27,9
	200	360	58	4	4	323	243	311,5	257,6	750	1 040	1 600	1 900	NUP240E.M1	28,3
	200	360	58	4	4	323	243	311,5	257,6	750	1 040	1 600	1 900	NUP240E.M1A	28,3
	200	360	98	4	4	325	241	312,9		1 220	1 860	1 500	1 800	NU2240E.M1	45,1
	200	360	98	4	4	325	241	312,9		1 220	1 860	1 500	1 800	NU2240E.M1A	45,1
	200	360	98	4	4	325	241	312,9	256,3	1 220	1 860	1 500	1 800	NJ2240E.M1	45,5
	200	360	98	4	4	325	241	312,9	256,3	1 220	1 860	1 500	1 800	NJ2240E.M1A	45,5
	200	360	98	4	4	325	241	312,9	256,3	1 220	1 860	1 500	1 800	NUP2240E.M1	45,9
	200	360	98	4	4	325	241	312,9	256,3	1 220	1 860	1 500	1 800	NUP2240E.M1A	45,9
	200	420	80	5	5	370	258	351,8		1 180	1 530	1 400	1 700	NU340E.M1	57,4
	200	420	80	5	5	370	258	351,8		1 180	1 530	1 400	1 700	NU340E.M1A	57,4
	200	420	80	5	5	370	258	351,8	279	1 180	1 530	1 400	1 700	NJ340E.M1	58,2
	200	420	80	5	5	370	258	351,8	279	1 180	1 530	1 400	1 700	NJ340E.M1A	58,2
	200	420	80	5	5	370	258	351,8	279	1 180	1 530	1 400	1 700	NUP340E.M1	59,0
200	420	80	5	5	370	258	351,8	279	1 180	1 530	1 400	1 700	NUP340E.M1A	59,0	

Cylindrical roller bearings

single-row



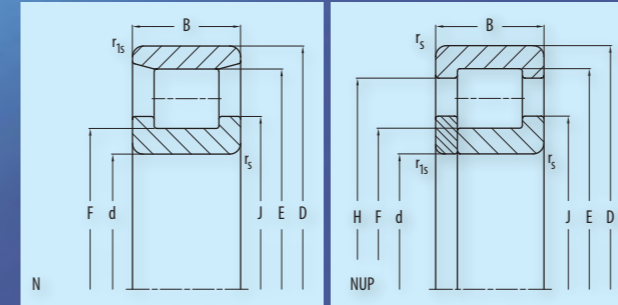
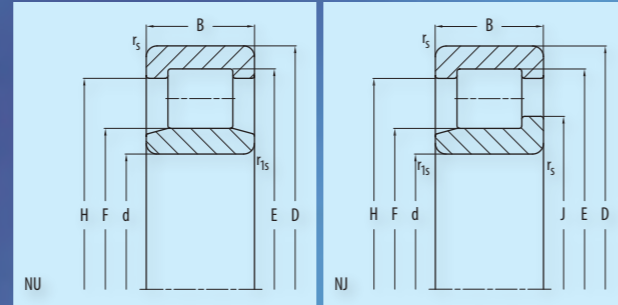
Cylindrical roller bearings

single-row

Shaft	Dimension (mm)									Load rating (kN)		Speed limit (min ⁻¹)		Code	Weight (kg)	
	d	D	B	r _s	r _{1s}	E	F	H	J	C	C ₀	Grease	Oil			Bearing
				min	min											
200	200	420	138	5	5	377	253	356,9		2 040	2 900	1 300	1 600	NU2340E.M1	95,6	
	200	420	138	5	5	377	253	356,9		2 040	2 900	1 300	1 600	NU2340E.M1A	95,6	
	200	420	138	5	5	377	253	356,9	276,1	2 040	2 900	1 300	1 600	NJ2340E.M1	96,0	
	200	420	138	5	5	377	253	356,9	276,1	2 040	2 900	1 300	1 600	NJ2340E.M1A	96,0	
	200	420	138	5	5	377	253	356,9	276,1	2 040	2 900	1 300	1 600	NUP2340E.M1	96,4	
	200	420	138	5	5	377	253	356,9	276,1	2 040	2 900	1 300	1 600	NUP2340E.M1A	96,4	
220	220	340	56	3	3	310	250	298,9		510	765	1 700	2 000	NU1044M1	20,5	
	220	400	65	4	4	358	268	344,9		950	1 320	1 500	1 800	NU244E.M1	38,5	
	220	400	65	4	4	358	268	344,9		950	1 320	1 500	1 800	NU244E.M1A	38,5	
	220	400	65	4	4	358	268	344,9	285,2	950	1 320	1 500	1 800	NJ244E.M1	38,7	
	220	400	65	4	4	358	268	344,9	285,2	950	1 320	1 500	1 800	NJ244E.M1A	38,7	
	220	400	65	4	4	358	268	344,9	285,2	950	1 320	1 500	1 800	NUP244E.M1	39,3	
	220	400	65	4	4	358	268	344,9	285,2	950	1 320	1 500	1 800	NUP244E.M1A	39,3	
	220	400	108	4	4	367	259	349,4		1 630	2 360	1 400	1 700	NU2244E.M1	60,4	
	220	400	108	4	4	367	259	349,4		1 630	2 360	1 400	1 700	NU2244E.M1A	60,4	
	220	400	108	4	4	367	259	349,4	279,4	1 630	2 360	1 400	1 700	NJ2244E.M1	61,0	
	220	400	108	4	4	367	259	349,4	279,4	1 630	2 360	1 400	1 700	NJ2244E.M1A	61,0	
	220	400	108	4	4	367	259	349,4	279,4	1 630	2 360	1 400	1 700	NUP2244E.M1	61,6	
	220	400	108	4	4	367	259	349,4	279,4	1 630	2 360	1 400	1 700	NUP2244E.M1A	61,6	
	220	460	88	5	5	406	282	386		1 430	1 900	1 300	1 600	NU344E.M1	75,6	
	220	460	88	5	5	406	282	386		1 430	1 900	1 300	1 600	NU344E.M1A	75,6	
	220	460	145	5	5	413	277	391,2		2 360	3 350	1 200	1 500	NU2344E.M1	120	
	220	460	145	5	5	413	277	391,2		2 360	3 350	1 200	1 500	NU2344E.M1A	120	
	220	460	145	5	5	413	277	391,2	302,2	2 360	3 350	1 200	1 500	NJ2344E.M1	121	
	220	460	145	5	5	413	277	391,2	302,2	2 360	3 350	1 200	1 500	NJ2344E.M1A	121	
	220	460	145	5	5	413	277	391,2	302,2	2 360	3 350	1 200	1 500	NUP2344E.M1	121	
220	460	145	5	5	413	277	391,2	302,2	2 360	3 350	1 200	1 500	NUP2344E.M1A	121		
240	240	360	56	3	3	330	270	318,9		540	850	1 600	1 900	NU1048M1	20,4	
	240	440	72	4	4	393	293		312	1 140	1 600	1 300	1 600	N248E.M1	51,8	
	240	440	72	4	4	393	293	376,6		1 140	1 600	1 300	1 600	NU248E.M1	51,8	
	240	440	72	4	4	393	293	376,6		1 140	1 600	1 300	1 600	NU248E.M1A	51,8	
	240	440	72	4	4	393	293	376,6	312	1 140	1 600	1 300	1 600	NJ248E.M1	52,5	
	240	440	72	4	4	393	293	376,6	312	1 140	1 600	1 300	1 600	NJ248E.M1A	52,5	
	240	440	72	4	4	393	293	376,6	312	1 140	1 600	1 300	1 600	NUP248E.M1	53,0	
	240	440	72	4	4	393	293	376,6	312	1 140	1 600	1 300	1 600	NUP248E.M1A	53,0	

Cylindrical roller bearings

single-row



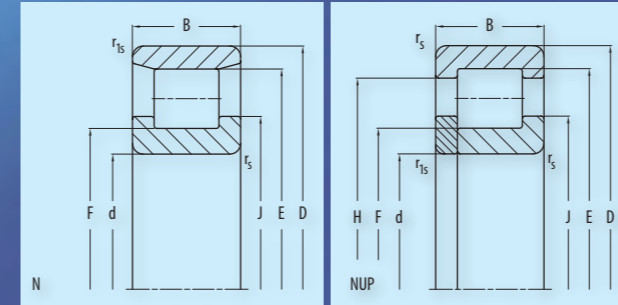
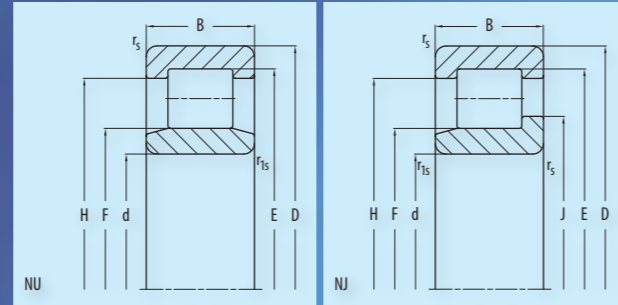
Cylindrical roller bearings

single-row

Shaft	Dimension (mm)									Load rating (kN)		Speed limit (min ⁻¹)		Code	Weight (kg)
	d	D	B	r _s	r _{1s}	E	F	H	J	C	C ₀	Grease	Oil	Bearing	
				min	min					dyn.	stat.				
240	240	440	120	4	4	399	287	380,7		2 600	3 750	1 300	1 600	NU2248E.M1	85,4
	240	440	120	4	4	399	287	380,7		2 600	3 750	1 300	1 600	NU2248E.M1A	85,4
	240	500	95	5	5	442	306	421,2		1 730	2 280	1 200	1 500	NU348E.M1	95,8
	240	500	95	5	5	442	306	421,2		1 730	2 280	1 200	1 500	NU348E.M1A	95,8
	240	500	95	5	5	442	306	421,2	331,3	1 730	2 280	1 200	1 500	NJ348E.M1	97,4
	240	500	95	5	5	442	306	421,2	331,3	1 730	2 280	1 200	1 500	NJ348E.M1A	97,4
	240	500	95	5	5	442	306	421,2	331,3	1 730	2 280	1 200	1 500	NUP348E.M1	98,0
	240	500	95	5	5	442	306	421,2	331,3	1 730	2 280	1 200	1 500	NUP348E.M1A	98,0
	240	500	155	5	5	447	303	424		2 600	3 750	1 000	1 300	NU2348E.M1	151
	240	500	155	5	5	447	303	424		2 600	3 750	1 000	1 300	NU2348E.M1A	151
260	260	400	65	4	4	364	296	351,3		655	1 020	1 500	1 800	NU1052M1	29,9
	260	480	80	5	5	429	317	410,8		1 340	1 900	1 200	1 500	NU252E.M1	68,4
	260	480	80	5	5	429	317	410,8		1 340	1 900	1 200	1 500	NU252E.M1A	68,4
	260	480	80	5	5	429	317	410,8	336,9	1 340	1 900	1 200	1 500	NJ252E.M1	69,4
	260	480	80	5	5	429	317	410,8	336,9	1 340	1 900	1 200	1 500	NJ252E.M1A	69,4
	260	480	80	5	5	429	317	410,8	336,9	1 340	1 900	1 200	1 500	NUP252E.M1	70,0
	260	480	80	5	5	429	317	410,8	336,9	1 340	1 900	1 200	1 500	NUP252E.M1A	70,0
	260	480	130	5	5	433	313	413,6		2 160	3 350	1 100	1 400	NU2252E.M1	109
	260	480	130	5	5	433	313	413,6		2 160	3 350	1 100	1 400	NU2252E.M1A	109
	260	540	102	6	6	477	337	454,6		1 900	2 600	1 100	1 400	NU352E.M1	114
	260	540	102	6	6	477	337	454,6		1 900	2 600	1 100	1 400	NU352E.M1A	114
	260	540	165	6	6	484	324	458,4		3 100	4 500	900	1 200	NU2352E.M1	189
260	540	165	6	6	484	324	458,4		3 100	4 500	900	1 200	NU2352E.M1A	189	
280	280	420	65	4	4	384	316	371,3		680	1 100	1 400	1 700	NU1056M1	31,4
	280	500	80	5	5	449	337	430,8		1 400	2 000	1 200	1 500	NU256E.M1	72,1
	280	500	80	5	5	449	337	430,8		1 400	2 000	1 200	1 500	NU256E.M1A	72,1
	280	500	130	5	5	453	333	435,9		2 280	3 600	1 100	1 400	NU2256E.M1	116
	280	500	130	5	5	453	333	435,9		2 280	3 600	1 100	1 400	NU2256E.M1A	116
	280	580	175	6	6	521	351	493,8		3 500	5 200	800	1 000	NU2356E.M1	234
280	580	175	6	6	521	351	493,8		3 500	5 200	800	1 000	NU2356E.M1A	234	
300	300	460	74	4	4	420	340	405,2		900	1 430	1 200	1 500	NU1060M1	44,3
	300	540	85	5	5	484	364	465		1 590	2 320	1 100	1 400	NU260E.M1	87,3
	300	540	85	5	5	484	364	465		1 590	2 320	1 100	1 400	NU260E.M1A	87,3
	300	620	109	7,5	7,5	532	388	509		2 100	3 010	900	1 100	NU360M1	164
	300	620	109	7,5	7,5	532	388	509		2 100	3 010	900	1 100	NU360M1A	164

Cylindrical roller bearings

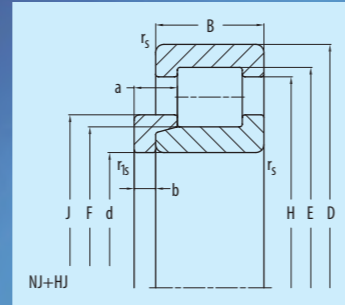
single-row



Cylindrical roller bearings

single-row

Shaft	Dimension (mm)									Load rating (kN)		Speed limit (min ⁻¹)		Code	Weight (kg)
	d	D	B	r _s	r _{1s}	E	F	H	J	C	C ₀	Grease	Oil	Bearing	
				min	min										
320	320	480	74	4	4	440	360	425,1		915	1 500	1 200	1 500	NU1064M1	46,3
	320	580	92	5	5	520	392	499,4		1 800	2 700	1 000	1 300	NU264E.M1	113
	320	580	92	5	5	520	392	499,4		1 800	2 700	1 000	1 300	NU264E.M1A	113
340	340	520	82	5	5	475	385	458,2		1 120	1 830	1 200	1 500	NU1068M1	63,0
360	360	540	82	5	5	495	405	478,1		1 140	1 900	1 100	1 400	NU1072M1	66,0
380	380	560	82	5	5	515	425	498,1		1 180	2 000	1 000	1 300	NU1076M1	68,6
400	400	600	90	5	5	550	450	531,5		1 370	2 320	950	1 200	NU1080M1	89,8
420	420	620	90	5	5	570	470	551,5		1 400	2 450	900	1 100	NU1084M1	92,9
440	440	650	94	6	6	597	493	577,6		1 560	2 750	850	1 000	NU1088M1	104
460	460	680	100	6	6	624	516	603,9		1 660	3 000	850	1 000	NU1092M1	125
480	480	700	100	6	6	644	536	623,9		1 700	3 100	870	1 050	NU1096M1	134
500	500	720	100	6	6	664	556	643,9		1 760	3 200	850	1 000	NU10/500M1	138
530	530	780	112	6	6	704	590	683,9		2 500	4 550	700	850	NU10/530M1	186
560	560	820	115	6	6	754	626	731		2 700	5 100	630	750	NU10/560M1	208
600	600	870	118	6	6	794	665	771		3 050	5 550	600	700	NU10/600M1	226
630	630	920	128	7,5	7,5	829	700	806		3 500	6 300	500	600	NU10/630M1	278
670	670	980	136	7,5	7,5	875	746	852		3 850	7 100	430	500	NU10/670M1	337
710	710	1 030	140	7,5	7,5	920	791	897		4 050	7 650	360	400	NU10/710M1	378



Shaft								Code	Weight (kg)
	d	r _s	r _{1s}	F	J	a	b		
		min	min						
40	40	1,5	1,5	52	57,5	11	7	HJ308E	0,088
60	60	2,1	2,1	77	84,3	14,5	9	HJ312E	0,231
70	70	2,1	2,1	89	97,3	15,5	10	HJ314E	0,331
90	90	2	2	107	114,3	14	9	HJ218E	0,316

Cylindrical roller bearings, full-complement, single-row

Full-complement cylindrical roller bearings are specifically suitable for highly stressed bearing points with moderate speeds. These non-sealed bearings are preferably used in gearbox production. Except series NJG23..VH, single-row full-complement cylindrical roller bearings cannot be dismantled. Both bearing rings of dismantlable bearings can be fitted tightly. This facilitates mounting and demounting.

Single-row full-complement cylindrical roller bearings can be used to accept very high radial forces but the bearings can also accept axial forces in one direction. A second bearing is fitted in a mirror image arrangement for axial counter-stay.

Bearings of series NCF18..V, NCF29..V and NCF30..V are provided with two fixed guide flanges at the inner ring and transmit axial forces only in direction of the fixed outer ring guide flange.

Bearings of the series NJG23..VH accept axial forces in direction of the inner ring guide flange. In all these bearings the roller race is retained in the outer ring so that the rollers do not fall out even if the inner ring is removed.

Heat treatment

Full-complement cylindrical roller bearings have been heat treated so that they can be used up to an operating temperature of 150° C. Bearings with an outer diameter more than 120 mm maintain the accurate dimensions up to 200° C.

Tolerances

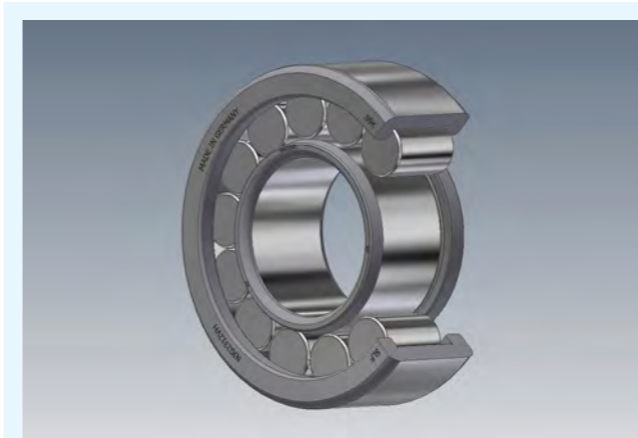
The basic design of full-complement cylindrical roller bearings has the standard tolerance of radial bearings. Also other bearing tolerances are available on request.

Bearing clearance

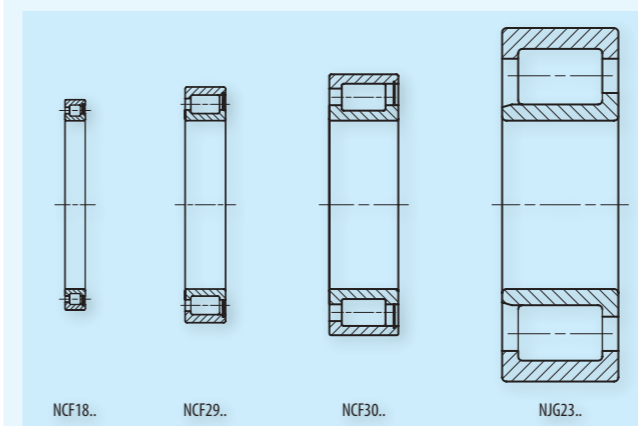
The radial bearing clearance corresponds to the bearing clearance group CN in accordance with DIN 620-4. Other designs are possible on request.

Angular adjustment facility

The modified line contact between rollers and raceways of the cylindrical roller bearings prevents edge stresses and allows a certain angular adjustment facility. For single-row cylindrical roller bearings the setting angle may be max. 4 angular minutes at a loading ratio of $P/C < 0.2$, where P = dynamic equivalent loading in kN and C = the dynamic load rating in kN.



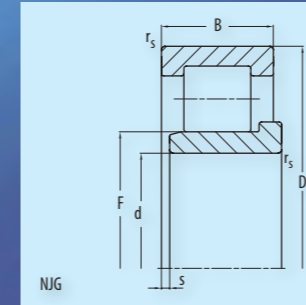
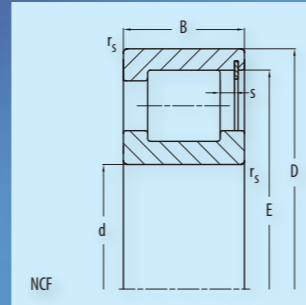
Cylindrical roller bearing full-complement, single-row



Series cylindrical roller bearings, full-complement, single-row

Cylindrical roller bearings

full-complement, single-row



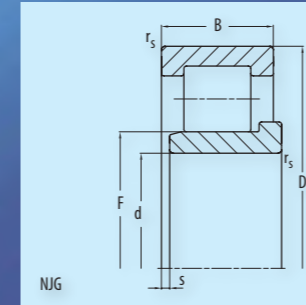
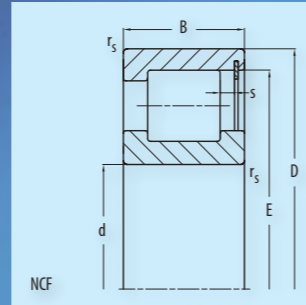
Cylindrical roller bearings

full-complement, single-row

Shaft	Dimension (mm)						Load rating (kN)		Speed limit (min ⁻¹)		Code	Weight (kg)
	d	D	B	r _s	s	E/F	C	C ₀	Grease	Oil	Bearing	
				min								
60	60	85	16	1	1	78,5	53	73	1 300	2 800	NCF2912V	0,300
	60	95	26	1,1	2	86,5	107	140	1 500	3 300	NCF3012V	0,700
	60	130	46	2,1	3	73,6	262	283	1 250	2 800	NJG2312VH	2,90
65	65	90	16	1	1	85	58	82	1 500	3 300	NCF2913V	0,300
	65	100	26	1,1	2	93	132	154	1 400	3 000	NCF3013V	0,800
	65	140	48	2,1	3,5	80,7	318	359	1 200	2 500	NJG2313VH	3,60
70	70	100	19	1	1	92,5	77	108	1 400	3 000	NCF2914V	0,500
	70	110	30	1,1	3	100	134	173	1 300	2 900	NCF3014V	1,00
	70	150	51	2,1	3,5	84,1	348	393	1 100	2 300	NJG2314VH	4,40
75	75	105	19	1	1	97,5	79	117	1 300	2 800	NCF2915V	0,600
	75	115	30	1,1	3	107,5	141	188	1 200	2 700	NCF3015V	1,10
	75	160	55	2,1	3,5	91,2	412	477	1 000	2 000	NJG2315VH	5,30
80	80	110	19	1	1	102	81	124	1 200	2 500	NCF2916V	0,600
	80	125	34	1,1	4	117	175	225	1 100	2 400	NCF3016V	1,50
	80	170	58	2,1	3,5	98,2	484	562	900	1 800	NJG2316VH	6,40
85	85	120	22	1,1	1	109	103	155	1 100	2 000	NCF2917V	0,900
	85	130	34	1,1	4	121	180	235	1 000	2 250	NCF3017V	1,60
	85	180	60	3	4	107	510	620	800	1 500	NJG2317VH	7,40
90	90	125	22	1,1	1	115	105	165	1 000	1 900	NCF2918V	0,900
	90	140	37	1,5	4	130	205	280	1 000	2 100	NCF3018V	2,00
	90	190	64	3	4	105,3	560	660	700	1 400	NJG2318VH	9,00
95	95	130	22	1,1	1	122	115	175	950	1 800	NCF2919V	0,900
	95	145	37	1,5	4	135	215	300	950	2 000	NCF3019V	2,10
	95	200	67	3	4	114,7	580	720	650	1 300	NJG2319VH	10,5
100	100	140	24	1,1	1,5	129	135	225	950	1 800	NCF2920V	1,20
	100	150	37	1,5	4	139	240	375	950	2 000	NCF3020V	2,20
	100	215	73	3	4	122,8	705	900	600	1 200	NJG2320VH	13,0
110	110	150	24	1,1	1,5	141,3	140	250	900	1 800	NCF2922V	1,30
	110	170	45	2	5,5	157	330	500	850	1 800	NCF3022V	3,70
	110	240	80	3	5	134,3	858	1 060	560	1 100	NJG2322VH	17,5
120	120	165	27	1,1	1,5	154,3	175	290	850	1 800	NCF2924V	1,70
	120	180	46	2	5,5	167,9	345	550	800	1 700	NCF3024V	4,00
	120	260	86	3	5	147,4	940	1 210	530	1 000	NJG2324VH	22,5
130	130	180	30	1,5	2	167,1	210	360	750	1 500	NCF2926V	2,30
	130	200	52	2	5,5	186,5	430	700	700	1 600	NCF3026V	5,80
	130	280	93	4	6	157,9	1 070	1 450	500	900	NJG2326VH	28,0

Cylindrical roller bearings

full-complement, single-row



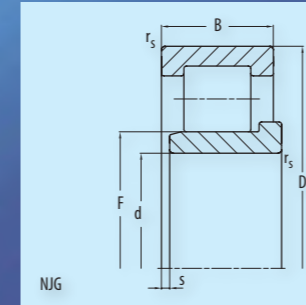
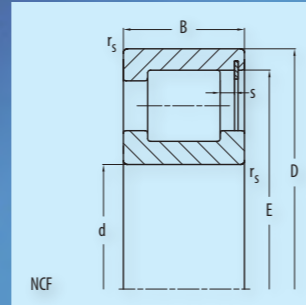
Cylindrical roller bearings

full-complement, single-row

Shaft	Dimension (mm)						Load rating (kN)		Speed limit (min ⁻¹)		Code	Weight (kg)
	d	D	B	r _s	s	E/F	C	C ₀	Grease	Oil	Bearing	
				min								
140	140	190	30	1,5	2	180	220	400	700	1 500	NCF2928V	2,50
	140	210	53	2	5,5	198,8	470	760	670	1 400	NCF3028V	6,20
	140	300	102	4	6,5	168,5	1 230	1 700	450	850	NJG2328VH	36,0
150	150	190	20	1,1	1,5	179,5	110	200	700	1 500	NCF1830V	1,30
	150	210	36	2	2,5	195,5	290	510	670	1 400	NCF2930V	3,90
	150	225	56	2,1	7	211,7	540	870	630	1 300	NCF3030V	7,50
	150	320	108	4	6,5	182,5	1 450	1 950	430	800	NJG2330VH	43,0
160	160	200	20	1,1	1,5	189	110	210	670	1 400	NCF1832V	1,50
	160	220	36	2	2,5	205,7	300	540	630	1 300	NCF2932V	4,20
	160	240	60	2,1	7	225,1	580	950	600	1 200	NCF3032V	9,30
	160	340	114	4	7	196,5	1 630	2 200	410	750	NJG2332VH	50,0
170	170	230	36	2	2,5	216	310	570	600	1 200	NCF2934V	4,30
	170	260	67	2,1	7	243,3	740	1 180	560	1 100	NCF3034V	12,5
	170	360	120	4	7	203,5	1 760	2 400	380	700	NJG2334VH	61,0
180	180	225	22	1,1	1,5	215,3	150	280	600	1 200	NCF1836V	2,00
	180	250	42	2	3,25	232	390	695	560	1 100	NCF2936V	6,26
	180	280	74	2,1	7	260,5	780	1 250	560	1 100	NCF3036V	16,0
	180	380	126	4	9	221,8	1 900	2 700	360	670	NJG2336VH	72,0
190	190	240	24	1,5	2	229	175	320	560	1 100	NCF1838V	2,50
	190	260	42	2	3,25	244	440	800	560	1 100	NCF2938V	6,80
	190	290	75	2,1	9	270	860	1 450	530	1 100	NCF3038V	17,0
	190	400	132	5	9	224,6	2 100	3 000	340	640	NJG2338VH	81,0
200	200	250	24	1,5	2	237,5	212	425	560	1 100	NCF1840V	3,50
	200	280	48	2,1	3	262	490	915	530	1 000	NCF2940V	9,20
	200	310	82	2,1	9	288,2	915	1 530	500	950	NCF3040V	23,0
	200	420	138	5	9	238,6	2 320	3 250	320	600	NJG2340VH	92,0
220	220	270	24	1,5	2	258	220	465	530	1 000	NCF1844V	3,00
	220	300	48	2,1	3	283	520	1 000	480	900	NCF2944V	10,0
	220	340	90	3	9	312,7	1 080	1 800	450	850	NCF3044V	30,0
	220	460	145	5	9	267,6	2 650	3 800	280	550	NJG2344VH	118
240	240	300	28	2	3	287	255	520	480	900	NCF1848V	4,50
	240	320	48	2,1	3	303	540	1 080	450	850	NCF2948V	11,0
	240	360	92	3	11	335,6	1 140	1 960	430	800	NCF3048V	32,0
	240	500	155	5	10	451,7	3 000	4 150	240	480	NJG2348VH	150

Cylindrical roller bearings

full-complement, single-row



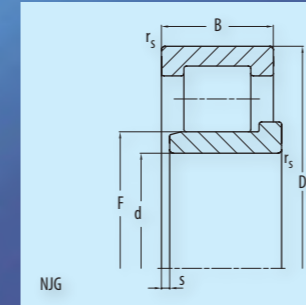
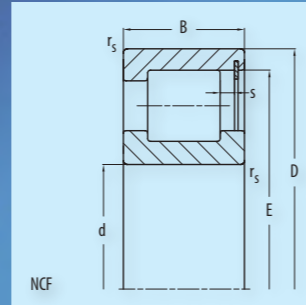
Cylindrical roller bearings

full-complement, single-row

Shaft	Dimension (mm)						Load rating (kN)		Speed limit (min ⁻¹)		Code	Weight (kg)
	d	D	B	r _s	s	E/F	C	C ₀	Grease	Oil	Bearing	
				min								
260	260	320	28	2	3	307,2	245	510	430	800	NCF1852V	4,80
	260	360	60	2,1	3,5	333,7	750	1 430	400	750	NCF2952V	19,0
	260	400	104	4	11	373,5	1 560	2 600	380	700	NCF3052V	48,0
	260	540	165	6	11	495,9	3 650	5 200	200	430	NJG2352VH	180
280	280	350	33	2	3	334	355	735	400	750	NCF1856V	7,50
	280	380	60	2,1	3,5	362,7	880	1 730	380	700	NCF2956V	20,0
	280	420	106	4	11	391,5	1 630	2 750	360	670	NCF3056V	50,0
	280	580	175	6	12	333,5	3 900	5 600	160	380	NJG2356VH	216
300	300	380	38	2,1	3,5	363	450	865	360	670	NCF1860V	9,30
	300	420	72	3	5	390,5	1 120	2 200	340	630	NCF2960V	31,4
	300	460	118	4	14	432	1 960	3 350	320	600	NCF3060V	66,6
	300	620	185	7,5	12	351	4 400	6 400	120	330	NJG2360VH	264
320	320	400	38	2,1	4,5	383	465	930	340	630	NCF1864V	10,3
	320	440	72	3	5	411	1 160	2 360	320	600	NCF2964V	33,2
	320	480	121	4	14	447,3	2 120	3 900	300	560	NCF3064V	75,0
340	340	420	38	2,1	3,4	395	475	980	300	560	NCF1868V	10,9
	340	460	72	3	5,4	415	1 200	2 500	300	560	NCF2968V	34,9
	340	520	133	5	16	465	2 360	4 150	280	530	NCF3068V	96,1
360	360	440	38	2,1	4,5	423,2	490	1 040	300	560	NCF1872V	12,0
	360	480	72	3	5	451,5	1 220	2 600	280	530	NCF2972V	38,0
	360	540	134	5	16	503,2	2 360	4 150	260	500	NCF3072V	108
380	380	480	46	2,1	6	458	695	1 530	280	530	NCF1876V	20,0
	380	520	82	4	5	488	1 460	3 100	260	500	NCF2976V	53,0
	380	560	135	5	16	520,5	2 450	4 550	240	480	NCF3076V	115
400	400	500	46	2,1	6	475	600	1 290	260	500	NCF1880V	21,0
	400	540	82	4	5	511	1 500	3 250	240	480	NCF2980V	55,0
	400	600	148	5	18	559,1	2 900	5 400	220	450	NCF3080V	150
420	420	520	46	2,1	6	499	620	1 370	240	480	NCF1884V	22,0
	420	560	82	4	5	524	1 530	3 400	220	450	NCF2984V	58,0
	420	620	150	5	14	578,2	3 000	5 600	200	430	NCF3084V	155
440	440	540	46	2,1	6	516	630	1 400	220	450	NCF1888V	23,0
	440	600	95	4	7	565,5	2 000	4 400	200	430	NCF2988V	82,0
	440	650	157	6	14	607,5	3 800	7 400	190	400	NCF3088V	180
460	460	580	56	3	7	553	930	2 080	200	430	NCF1892V	35,0
	460	620	95	4	7	579	2 040	4 500	190	400	NCF2992V	85,0
	460	680	163	6	17	635	4 150	8 000	180	380	NCF3092V	200

Cylindrical roller bearings

full-complement, single-row



Cylindrical roller bearings

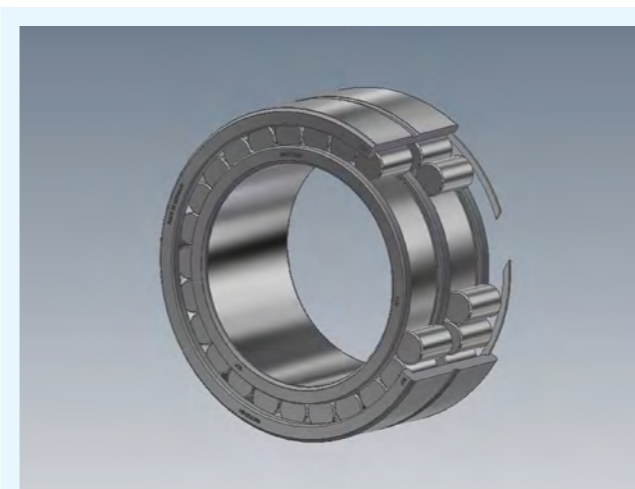
full-complement, single-row

Shaft	Dimension (mm)						Load rating (kN)		Speed limit (min ⁻¹)		Code	Weight (kg)
	d	D	B	r _s	s	E/F	C	C ₀	Grease	Oil	Bearing	
				min								
480	480	600	56	3	7	573,5	950	2 160	190	400	NCF1896V	36,0
	480	650	100	5	7	606	2 280	5 100	180	380	NCF2996V	100
	480	700	165	6	15	655	4 200	8 300	170	360	NCF3096V	210
500	500	620	56	3	7	594	980	2 240	180	380	NCF18/500V	36,8
	500	670	100	5	7	634,5	2 360	5 300	170	360	NCF29/500V	101
	500	720	167	6	16	676,8	4 300	8 700	170	360	NCF30/500V	218
530	530	650	56	3	5	624,5	1 020	2 400	170	360	NCF18/530V	38,6
	530	710	106	5	7	673	2 700	6 000	160	340	NCF29/530V	120
	530	780	185	6	16	732	5 200	10 000	150	320	NCF30/530V	320
560	560	680	56	3	5	655	1 040	2 550	160	340	NCF18/560V	40,6
	560	750	112	5	7	709	3 050	6 750	150	320	NCF29/560V	142
	560	820	195	6	16	770	5 900	12 000	140	300	NCF30/560V	348
600	600	730	60	3	7	696	1 140	2 800	150	320	NCF18/600V	50,8
	600	800	118	5	7	754	3 400	7 500	140	300	NCF29/600V	172
630	630	780	69	4	8	739	1 460	3 550	140	300	NCF18/630V	70,9
	630	850	128	6	8	807	3 750	8 700	130	280	NCF29/630V	208
670	670	820	69	4	8	783	1 500	3 650	130	280	NCF18/670V	75,0
	670	900	136	6	10	846	3 800	8 700	120	260	NCF29/670V	250
710	710	870	74	4	8	831	1 600	4 000	120	260	NCF18/710V	90,0
	710	950	140	6	10	896	3 900	9 200	110	240	NCF29/710V	280
750	750	920	78	5	8	880	1 860	4 500	110	240	NCF18/750V	104
	750	1 000	145	6	11	938	4 500	11 000	100	220	NCF29/750V	320
800	800	980	82	5	9	936	1 930	4 800	100	220	NCF18/800V	125
850	850	1 030	82	5	10	986	2 000	5 100	95	200	NCF18/850V	138
900	900	1 090	85	5	11	1 035	2 240	5 850	90	180	NCF18/900V	154
950	950	1 150	90	5	11,5	1 089	2 550	6 400	85	160	NCF18/950V	181
1 000	1 000	1 220	100	6	11,5	1 140	3 250	8 150	80	140	NCF18/1000V	233

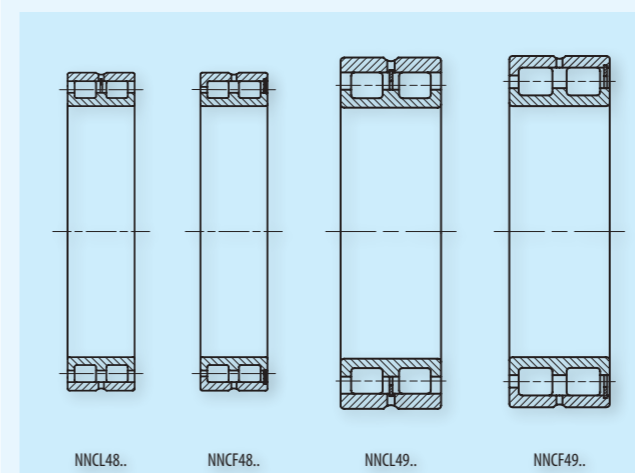
Cylindrical roller bearings, full-complement, two-row

Full-complement cylindrical roller bearings are specifically suitable for highly stressed bearing points with moderate speeds. These non-sealed bearings are preferably used in gearbox production.

Two-row full-complement cylindrical roller bearings are produced in series NNCL and NNCF also in series 48 and 49.



Cylindrical roller bearing, full-complement, two-row



Series cylindrical roller bearings, full-complement, two-row

In addition to very high radial forces, the two-row cylindrical roller bearings NNCF...V do also accept axial forces in one direction. Thus they can also be used as supporting bearings.

Heat treatment

Full-complement cylindrical roller bearings have been heat treated so that they can be used up to an operating temperature of 150° C. Bearings with an outer diameter more than 120 mm maintain the accurate dimensions up to 200° C.

Tolerances

The basic design of full-complement cylindrical roller bearings has the standard tolerance of radial bearings. Also other bearing tolerances are available on request.

Bearing clearance

The radial bearing clearance corresponds to the bearing clearance group CN in accordance with DIN 620-4. Other designs are possible on request.

Angular adjustment facility

The modified line contact between rollers and raceways of the cylindrical roller bearings prevents edge stresses and allows a certain angular adjustment facility. The installation points of two-row cylindrical roller bearings may not show misalignments.

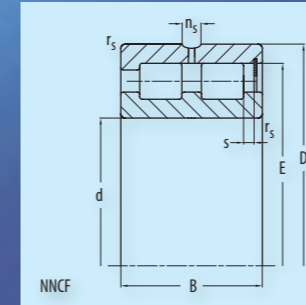
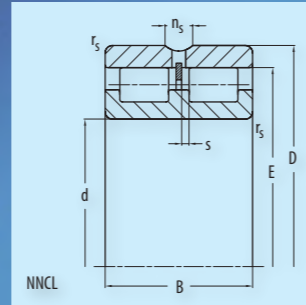
Norms

Cylindrical roller bearings

DIN 5412-9

Cylindrical roller bearings

full-complement, two-row



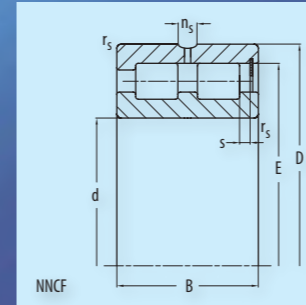
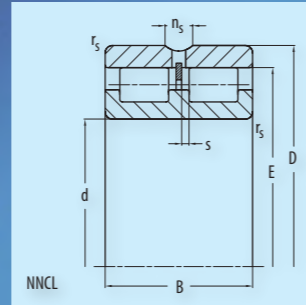
Cylindrical roller bearings

full-complement, two-row

Shaft	Dimension (mm)							Load rating (kN)		Speed limit (min ⁻¹)		Code	Weight (kg)
	d	D	B	r _s	s	n _s	E	C	C ₀	Grease	Oil		
				min				dyn.	stat.				
60	60	85	25	1	1	4,8	77	66	114	1 300	2 800	NNCL4912V	0,500
	60	85	25	1	0,7	4,8	77	66	114	1 300	2 800	NNCF4912V	0,500
70	70	100	30	1	1	4,8	91	105	180	900	1 900	NNCL4914V	0,800
	70	100	30	1	0,7	4,8	91	105	180	900	1 900	NNCF4914V	0,800
80	80	110	30	1	1	4,8	100	110	200	1 100	2 300	NNCL4916V	0,900
	80	110	30	1	0,7	4,8	100	110	200	1 100	2 300	NNCF4916V	0,900
90	90	125	35	1,1	1,5	4,8	115	150	280	1 000	2 100	NNCL4918V	1,40
	90	125	35	1,1	0,7	4,8	115	150	280	1 000	2 100	NNCF4918V	1,40
100	100	140	40	1,1	2	6,5	129	190	370	900	1 900	NNCL4920V	2,00
	100	140	40	1,1	0,7	6,5	129	190	370	900	1 900	NNCF4920V	2,00
110	110	150	40	1,1	3	6,5	138	200	400	860	1 800	NNCL4922V	2,20
	110	150	40	1,1	3	6,5	138	200	400	860	1 800	NNCF4922V	2,20
120	120	165	45	1,1	3	6,5	154	225	480	800	1 700	NNCL4924V	2,90
	120	165	45	1,1	3	6,5	154	225	480	800	1 700	NNCF4924V	2,90
130	130	180	50	1,5	4	6,5	166	260	510	750	1 600	NNCL4926V	4,00
	130	180	50	1,5	2	6,5	166	260	510	750	1 600	NNCF4926V	4,00
140	140	190	50	1,5	4	6,5	176	270	550	700	1 500	NNCL4928V	4,10
	140	190	50	1,5	2	6,5	176	270	550	700	1 500	NNCF4928V	4,10
150	150	190	40	1,1	2	6,5	178	235	540	700	1 500	NNCL4830V	2,90
	150	190	40	1,1	2	6,5	178	235	540	700	1 500	NNCF4830V	2,90
	150	210	60	2	4	6,5	192	410	820	670	1 400	NNCL4930V	6,70
	150	210	60	2	2	6,5	192	410	820	670	1 400	NNCF4930V	6,70
160	160	200	40	1,1	2	6,5	190,1	245	630	670	1 400	NNCL4832V	3,10
	160	200	40	1,1	2	6,5	190,1	245	630	670	1 400	NNCF4832V	3,10
	160	220	60	2	4	6,5	203,9	410	920	630	1 300	NNCL4932V	7,00
	160	220	60	2	4	6,5	203,9	410	920	630	1 300	NNCF4932V	7,00
170	170	215	45	1,1	3	6,5	201,7	260	650	630	1 300	NNCL4834V	4,10
	170	215	45	1,1	2	6,5	201,7	260	650	630	1 300	NNCF4834V	4,10
	170	230	60	2	4	6,5	212,2	410	950	600	1 200	NNCL4934V	7,50
	170	230	60	2	2	6,5	212,2	410	950	600	1 200	NNCF4934V	7,50
180	180	225	45	1,1	3	6,5	214	270	640	600	1 200	NNCL4836V	4,20
	180	225	45	1,1	3	6,5	214	270	640	600	1 200	NNCF4836V	4,20
	180	250	69	2	4	9,5	230	550	1 220	570	1 200	NNCL4936V	10,0
	180	250	69	2	3	9,5	230	550	1 220	570	1 200	NNCF4936V	10,0

Cylindrical roller bearings

full-complement, two-row



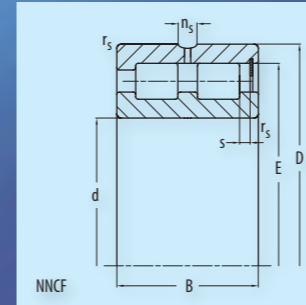
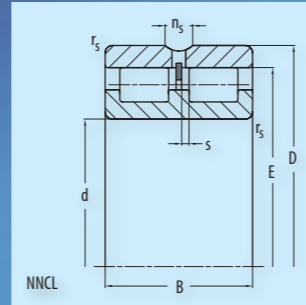
Cylindrical roller bearings

full-complement, two-row

Shaft	Dimension (mm)							Load rating (kN)		Speed limit (min ⁻¹)		Code	Weight (kg)
	d	D	B	r _s	s	n _s	E	C	C ₀	Grease	Oil		
				min								dyn.	stat.
190	190	240	50	1,5	4	6,5	225,4	305	750	560	1 100	NNCL4838V	5,70
	190	240	50	1,5	4	6,5	225,4	305	750	560	1 100	NNCF4838V	5,70
	190	260	69	2	4	9,5	241,3	560	1 300	560	1 100	NNCL4938V	11,0
	190	260	69	2	4	9,5	241,3	560	1 300	560	1 100	NNCF4938V	11,0
200	200	250	50	1,5	4	6,5	235	320	770	540	1 050	NNCL4840V	5,80
	200	250	50	1,5	4	6,5	235	320	770	540	1 050	NNCF4840V	5,80
	200	280	80	2,1	5	12,2	259	690	1 400	520	1 000	NNCL4940V	15,8
	200	280	80	2,1	4	12,2	259	690	1 400	520	1 000	NNCF4940V	15,8
220	220	270	50	1,5	4	6,5	256	340	840	530	1 000	NNCL4844V	6,20
	220	270	50	1,5	4	6,5	256	340	840	530	1 000	NNCF4844V	6,20
	220	300	80	2,1	5	12,2	277,2	690	1 600	500	950	NNCL4944V	17,0
	220	300	80	2,1	4	12,2	277,2	690	1 600	500	950	NNCF4944V	17,0
240	240	300	60	2	4	6,5	281	500	1 250	480	900	NNCL4848V	10,0
	240	300	60	2	4	6,5	281	500	1 250	480	900	NNCF4848V	10,0
	240	320	80	2,1	5	12,2	299	750	1 750	450	850	NNCL4948V	18,5
	240	320	80	2,1	4	12,2	299	750	1 750	450	850	NNCF4948V	18,5
260	260	320	60	2	4	6,5	304	540	1 350	430	800	NNCL4852V	10,6
	260	320	60	2	4	6,5	304	540	1 350	430	800	NNCF4852V	10,6
	260	360	100	2,1	6	15	331	1 100	2 500	400	750	NNCL4952V	31,2
	260	360	100	2,1	4	15	331	1 100	2 500	400	750	NNCF4952V	31,2
280	280	350	69	2	4	9,5	332	700	1 800	400	750	NNCL4856V	15,6
	280	350	69	2	4	9,5	332	700	1 800	400	750	NNCF4856V	15,6
	280	380	100	2,1	6	15	353	1 150	2 700	380	700	NNCL4956V	34,0
	280	380	100	2,1	4	15	353	1 150	2 700	380	700	NNCF4956V	34,0
300	300	380	80	2,1	6	9,5	357,4	790	2 150	380	700	NNCL4860V	23,0
	300	380	80	2,1	6	9,5	357,4	790	2 150	380	700	NNCF4860V	23,0
	300	420	118	3	6	17,7	390,2	1 540	3 600	340	630	NNCL4960V	52,0
	300	420	118	3	6	17,7	390,2	1 540	3 600	340	630	NNCF4960V	52,0
320	320	400	80	2,1	6	9,5	380,3	830	2 300	340	630	NNCL4864V	24,5
	320	400	80	2,1	6	9,5	380,3	830	2 300	340	630	NNCF4864V	24,5
	320	440	118	3	6	17,7	409	1 600	3 800	320	600	NNCL4964V	55,0
	320	440	118	3	6	17,7	409	1 600	3 800	320	600	NNCF4964V	55,0
340	340	420	80	2,1	6	9,5	397,4	840	2 400	320	600	NNCL4868V	25,5
	340	420	80	2,1	6	9,5	397,4	840	2 400	320	600	NNCF4868V	25,5
	340	460	118	3	6	17,7	427,1	1 600	4 000	300	560	NNCL4968V	60,0
	340	460	118	3	6	17,7	427,1	1 600	4 000	300	560	NNCF4968V	60,0

Cylindrical roller bearings

full-complement, two-row



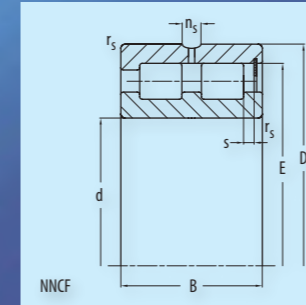
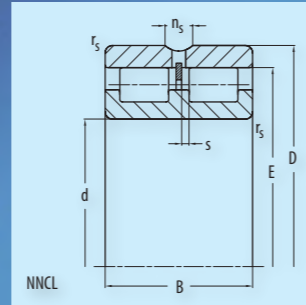
Cylindrical roller bearings

full-complement, two-row

Shaft	Dimension (mm)							Load rating (kN)		Speed limit (min ⁻¹)		Code	Weight (kg)	
	d	D	B	r _s	s	n _s	E	C	C ₀	Grease	Oil			Bearing
				min										
360	360	440	80	2,1	6	9,5	420,2	880	2 600	300	560	NNCL4872V	27,0	
	360	440	80	2,1	6	9,5	420,2	880	2 600	300	560	NNCF4872V	27,0	
	360	480	118	3	6	17,7	446	1 680	4 200	300	560	NNCL4972V	62,0	
	360	480	118	3	6	17,7	446	1 680	4 200	300	560	NNCF4972V	62,0	
380	380	480	100	2,1	6	12,2	456	1 300	3 700	280	530	NNCL4876V	46,0	
	380	480	100	2,1	6	12,2	456	1 300	3 700	280	530	NNCF4876V	46,0	
	380	520	140	3	7	17,7	481,5	2 150	5 400	260	500	NNCL4976V	92,0	
	380	520	140	3	7	17,7	481,5	2 150	5 400	260	500	NNCF4976V	92,0	
400	400	500	100	2,1	6	12,2	470,3	1 320	3 800	260	500	NNCL4880V	48,0	
	400	500	100	2,1	6	12,2	470,3	1 320	3 800	260	500	NNCF4880V	48,0	
	400	540	140	4	7	17,7	502	2 200	5 700	240	480	NNCL4980V	96,0	
	400	540	140	4	7	17,7	502	2 200	5 700	240	480	NNCF4980V	96,0	
420	420	520	100	2,1	6	15	492,6	1 350	4 000	240	480	NNCL4884V	50,0	
	420	520	100	2,1	6	15	492,6	1 350	4 000	240	480	NNCF4884V	50,0	
	420	560	140	4	7	17,7	522,5	2 200	6 000	220	450	NNCL4984V	100	
	420	560	140	4	7	17,7	522,5	2 200	6 000	220	450	NNCF4984V	100	
440	440	540	100	2,1	6	15	514,6	1 400	4 200	220	450	NNCL4888V	52,0	
	440	540	100	2,1	6	15	514,6	1 400	4 200	220	450	NNCF4888V	52,0	
	440	600	160	4	7	17,7	563,5	3 000	7 500	200	430	NNCL4988V	138	
	440	600	160	4	7	17,7	563,5	3 000	7 500	200	430	NNCF4988V	138	
460	460	580	118	3	7	15	543,3	1 540	4 500	200	430	NNCL4892V	76,0	
	460	580	118	3	7	15	543,3	1 540	4 500	200	430	NNCF4892V	76,0	
	460	620	160	4	7	17,7	577	3 100	7 700	190	400	NNCL4992V	140	
	460	620	160	4	7	17,7	577	3 100	7 700	190	400	NNCF4992V	140	
480	480	600	118	3	7	15	567,3	1 600	4 800	190	400	NNCL4896V	80,0	
	480	600	118	3	7	15	567,3	1 600	4 800	190	400	NNCF4896V	80,0	
	480	650	170	5	8	17,7	605,5	3 300	8 300	180	380	NNCL4996V	165	
	480	650	170	5	8	17,7	605,5	3 300	8 300	180	380	NNCF4996V	165	
500	500	620	118	3	7	15	583,5	1 600	4 900	190	400	NNCL48/500V	82,0	
	500	620	118	3	7	15	583,5	1 600	4 900	190	400	NNCF48/500V	82,0	
	500	670	170	5	8	17,7	633,5	3 400	8 800	170	360	NNCL49/500V	175	
	500	670	170	5	8	17,7	633,5	3 400	8 800	170	360	NNCF49/500V	175	
530	530	650	118	3	7	15	615	1 680	5 400	170	360	NNCL48/530V	86,0	
	530	650	118	3	7	15	615	1 680	5 400	170	360	NNCF48/530V	86,0	
	530	710	180	5	8	17,7	663	3 900	10 000	160	340	NNCL49/530V	200	
	530	710	180	5	8	17,7	663	3 900	10 000	160	340	NNCF49/530V	200	

Cylindrical roller bearings

full-complement, two-row



Cylindrical roller bearings

full-complement, two-row

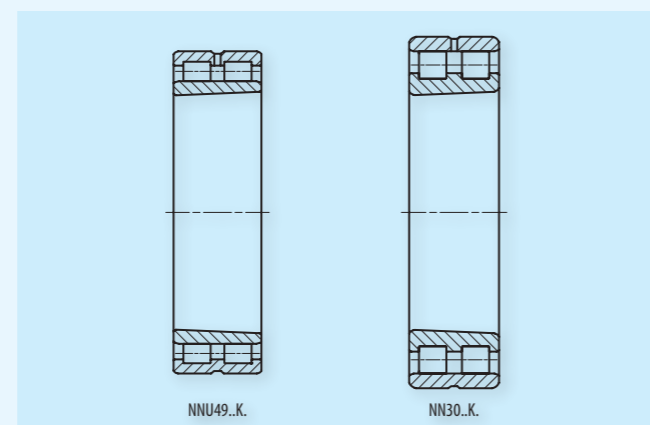
Shaft	Dimension (mm)							Load rating (kN)		Speed limit (min ⁻¹)		Code	Weight (kg)
	d	D	B	r _s	s	n _s	E	C	C ₀	Grease	Oil	Bearing	
				min									
560	560	750	190	5	9,5	17,7	709	4 400	11 500	155	330	NNCL49/560V	235
	560	750	190	5	7	17,7	709					NNCF49/560V	
600	600	800	200	5	10	17,7	755	4 700	12 500	150	320	NNCL49/600V	280
	600	800	200	5	7	17,7	755					NNCF49/600V	
630	630	850	218	6	11	23,5	798	5 300	14 200	140	300	NNCL49/630V	360
	630	850	218	6	8,5	23,5	798					NNCF49/630V	
670	670	900	230	6	11,5	23,5	848	5 900	16 000	140	300	NNCL49/670V	425
	670	900	230	6	9	23,5	848					NNCF49/670V	
710	710	950	243	6	12	23,5	888	6 500	17 500	130	280	NNCL49/710V	495
	710	950	243	6	10	23,5	888					NNCF49/710V	

High-precision cylindrical roller bearings, two-row

Two-row cylindrical roller bearings are floating bearings and are produced in series NN30 and NNU49. Mounting and dismounting is facilitated because they can be disassembled. Thus the rings can be fitted in firmly. Radial support of the main spindle of machine tools is the most important application for the bearing series NN30.. . NN means that the inner ring is provided with three guide flanges while the outer ring is without guide flanges. In addition, the standard design is provided with a taper bore (taper 1:12). Due to the tapered bore it is possible to set the radial bearing clearance to optimum values. The outer ring is available with lubrication groove and lubrication bores on request (suffix „S“). Thereby lubricant can be guided directly between the rollers.



High-precision cylindrical roller bearing, two-row



Series high-precision cylindrical roller bearings, two-row

The NNU49.. is also a two-row cylindrical roller bearing consisting of solid inner rings without guide flanges, solid outer rings with three guide flanges and can be dismantled.

Cages

The bearings of both series have either one two-row or two one-row roller-guided solid brass cages.



Two-row brass cage with cylindrical rollers

Heat treatment

The two-row cylindrical roller bearings have been heat treated such that they can be used up to an operating temperature of 150° C. Bearings with an outer diameter more than 120 mm maintain the accurate dimensions up to 200° C.

Tolerances

Due to their application cylindrical roller bearings are of high accuracy and have standard tolerance class HP that corresponds to tolerance class SP according to DIN 5412-4.

For application with even higher standards bearings with tolerance class UP according to DIN 5412-4 can be produced.

Bearings with other tolerances are available on request.

Bearing clearance

The standard bearing clearance of the bearings is C1 (lower than standard clearance CN). Due to this bearing clearance it is not possible to exchange the bearings. That means the outer rings cannot be exchanged among the individual bearings as it is the case for single-row cylindrical roller bearings. Both C1 and NA (for non-exchangeable) are not indicated.

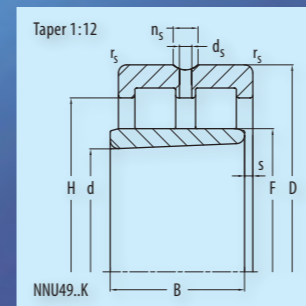
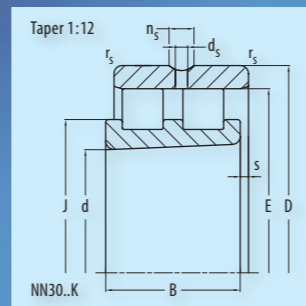
Other radial clearance designs are available on request.

Norms	
High-precision cylindrical roller bearings, two-row	DIN 5412-4

Please see also our separate catalogue for high-precision bearings.

High-precision cylindrical roller bearings

two-row



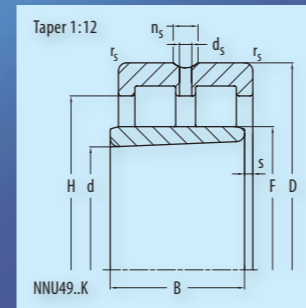
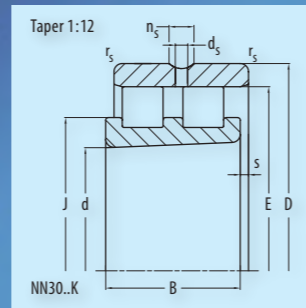
High-precision cylindrical roller bearings

two-row

Shaft	Dimension (mm)										Load rating		Speed limit (min ⁻¹)		Code	Weight (kg)		
	d	D	B	r _s	E	J	F	H	n _s	d _s	s	C	C ₀	Grease	Oil		Bearing	
	min										dyn.	stat.						
30	30	55	19	1,0	48,5	39,7			4,8		3,2	1,4	29	34	16 000	19 000	NN3006K.M.HP	0,191
35	35	62	20	1,0	55,0	45,4			4,8		3,2	1,4	36	44	14 000	17 000	NN3007K.M.HP	0,249
40	40	68	21	1,0	61,0	50,6			4,8		3,2	1,4	42	53	12 000	15 000	NN3008K.M.HP	0,303
45	45	75	23	1,0	67,5	56,3			4,8		3,2	1,7	54	72	11 000	14 000	NN3009K.M.HP	0,393
50	50	80	23	1,0	72,5	61,3			4,8		3,2	1,7	57	79	10 000	13 000	NN3010K.M.HP	0,426
55	55	90	26	1,1	81,0	68,2			4,8		3,2	1,9	71	100	9 000	11 000	NN3011K.M.HP	0,630
60	60	95	26	1,1	86,1	73,3			4,8		3,2	1,9	74	109	8 500	10 000	NN3012K.M.HP	0,674
65	65	100	26	1,1	91,0	78,2			4,8		3,2	1,9	77	114	8 000	9 500	NN3013K.M.HP	0,715
70	70	110	30	1,1	100,0	85,6			6,5		3,2	2,3	98	148	7 000	8 500	NN3014K.M.HP	1,04
75	75	115	30	1,1	105,0	90,6			6,5		3,2	2,3	99	155	6 700	8 000	NN3015K.M.HP	1,07
80	80	125	34	1,1	113,0	97,0			6,5		3,2	2,5	120	186	6 300	7 500	NN3016K.M.HP	1,50
85	85	130	34	1,1	118,0	102,0			6,5		3,2	2,5	125	201	6 000	7 000	NN3017K.M.HP	1,56
90	90	140	37	1,5	127,0	109,4			6,5		3,2	2,6	140	225	5 600	6 700	NN3018K.M.HP	2,05
95	95	145	37	1,5	132,0	114,4			6,5		3,2	2,6	144	234	5 300	6 300	NN3019K.M.HP	2,13
100	100	140	40	1,1			113,0	125,8	6,5		3,2	2,0	129	253	5 300	6 300	NNU4920K.M.HP	1,85
	100	150	37	1,5	137,0	119,4			6,5		3,2	2,6	148	243	5 300	6 300	NN3020K.M.HP	2,28
105	105	145	40	1,1			118,0	130,8	6,5		3,2	2,0	128	261	5 300	6 300	NNU4921K.M.HP	1,92
	105	160	41	2,0	146,0	125,2			6,5		3,2	2,6	195	314	4 800	5 600	NN3021K.M.HP	2,84
110	110	150	40	1,1			123,0	135,8	6,5		3,2	2,0	131	269	5 000	6 000	NNU4922K.M.HP	2,07
	110	170	45	2,0	155,0	132,6			6,5		3,2	2,9	222	361	4 500	5 300	NN3022K.M.HP	3,61
120	120	165	45	1,1			134,5	150,5	6,5		3,2	2,3	175	341	4 500	5 300	NNU4924K.M.HP	2,75
	120	180	46	2,0	165,0	142,6			6,5		3,2	3,1	242	416	4 300	5 000	NN3024K.M.HP	3,92
130	130	180	50	1,5			146,0	162,0	6,5		3,2	2,7	186	385	4 000	4 800	NNU4926K.M.HP	3,80
	130	200	52	2,0	182,0	156,4			9,5		4,8	3,1	296	498	3 800	4 500	NN3026K.M.HP	5,80
140	140	190	50	1,5			156,0	172,0	6,5		3,2	2,7	190	398	3 800	4 500	NNU4928K.M.HP	4,05
	140	210	53	2,0	192,0	166,4			9,5		4,8	3,4	299	520	3 600	4 300	NN3028K.M.HP	6,15
150	150	210	60	2,0			168,5	191,0	6,5		3,2	2,7	331	652	3 600	4 300	NNU4930K.M.HP	6,00
	150	225	56	2,1	206,0	178,8			9,5		4,8	3,8	336	592	3 400	4 000	NN3030K.M.HP	7,53
160	160	220	60	2,0			178,5	201,0	6,5		3,2	2,7	331	676	3 400	4 000	NNU4932K.M.HP	6,40
	160	240	60	2,1	219,0	190,2			9,5		4,8	4,3	376	669	3 200	3 800	NN3032K.M.HP	9,10
170	170	230	60	2,0			188,5	211,0	6,5		3,2	2,7	339	700	3 200	3 800	NNU4934K.M.HP	6,68
	170	260	67	2,1	236,0	204,0			9,5		4,8	4,6	449	805	3 000	3 600	NN3034K.M.HP	12,5
180	180	250	69	2,0			202,0	222,0	9,5		4,8	3,2	404	856	3 000	3 600	NNU4936K.M.HP	9,89
	180	280	74	2,1	255,0	218,2			12,2		6,3	4,8	566	996	2 800	3 400	NN3036K.M.HP	16,4
190	190	260	69	2,0			212,0	236,0	9,5		4,8	3,2	413	885	2 800	3 400	NNU4938K.M.HP	10,2
	190	290	75	2,1	265,0	228,2			12,2		6,3	4,8	583	1 039	2 600	3 200	NN3038K.M.HP	17,3

High-precision cylindrical roller bearings

two-row



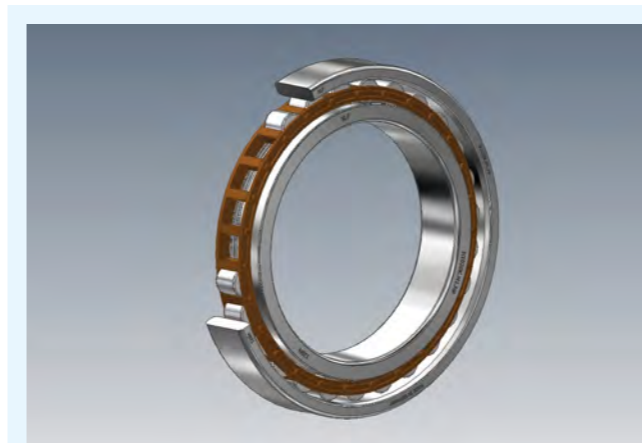
High-precision cylindrical roller bearings

two-row

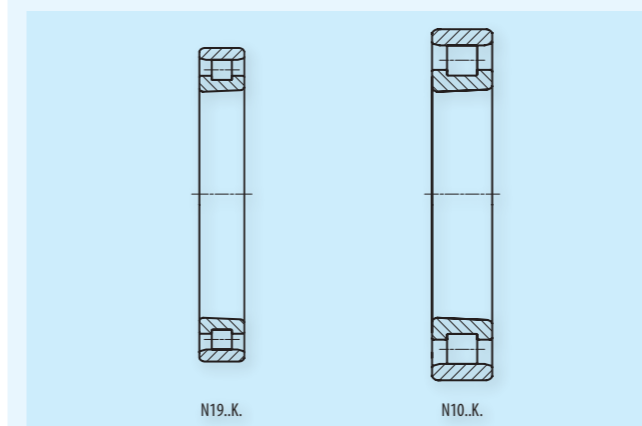
Shaft	Dimension (mm)											Load rating		Speed limit (min ⁻¹)		Code	Weight (kg)	
	d	D	B	r _s	E	J	F	H	n _s	d _s	s	C	C ₀	Grease	Oil	Bearing		
	min										dyn.	stat.						
200	200	280	80	2,1			225,0	252,2	12,2		6,3	4,3	488	1 040	2 600	3 200	NNU4940K.M.HP	14,5
	200	310	82	2,1	282,0	242,0			12,2		6,3	5,7	655	1 190	2 400	3 000	NN3040K.M.HP	22,2
220	220	300	80	2,1			245,0	272,2	12,2		6,3	4,3	505	1 139	2 400	3 000	NNU4944K.M.HP	15,7
	220	340	90	3,0	310,0	265,2			15,0		8,0	5,7	806	1 454	2 200	2 800	NN3044K.M.HP	29,1
240	240	320	80	2,1			265,0	292,2	12,2		6,3	4,3	525	1 206	2 200	2 800	NNU4948K.M.HP	16,8
	240	360	92	3,0	330,0	285,2			15,0		8,0	6,1	838	1 577	2 000	2 600	NN3048K.M.HP	31,6
260	260	360	100	2,1			292,0	325,6	15,0		8,0	5,4	755	1 690	2 000	2 600	NNU4952K.M.HP	29,3
	260	400	104	4,0	364,0	312,8			15,0		8,0	6,6	1 073	2 006	1 900	2 400	NN3052K.M.HP	46,2
280	280	380	100	2,1			312,0	345,6	15,0		8,0	5,4	764	1 794	1 900	2 400	NNU4956K.M.HP	31,2
	280	420	106	4,0	384,0	332,8			15,0		8,0	6,9	1 085	2 093	1 800	2 200	NN3056K.M.HP	49,7
300	300	420	118	3,0			339,0	379,0	17,7		9,5	6,3	1 040	2 380	1 700	2 000	NNU4960K.M.HP	48,7
	300	460	118	4,0	418,0	360,4			17,7		9,5	7,5	1 256	2 402	1 600	1 900	NN3060K.M.HP	68,8
320	320	440	118	3,0			359,0	399,0	17,7		9,5	6,3	1 084	2 527	1 600	1 900	NNU4964K.M.HP	51,0
	320	480	121	4,0	438,0	380,4			17,7		9,5	8,0	1 330	2 600	1 600	1 900	NN3064K.M.HP	74,2
340	340	460	118	3,0			379,0	419,0	17,7		9,5	6,3	1 095	2 670	1 500	1 800	NNU4968K.M.HP	56,3
	340	520	133	5,0	473,0	409,0			17,7		9,5	8,8	1 625	3 220	1 400	1 700	NN3068K.M.HP	99,3
360	360	480	118	3,0			399,0	439,0	17,7		9,5	6,3	1 137	2 820	1 500	1 800	NNU4972K.M.HP	59,2
	360	540	134	5,0	493,0	429,0			17,7		9,5	8,8	1 665	3 350	1 400	1 700	NN3072K.M.HP	104
380	380	520	140	4,0			426,0	470,0	17,7		9,5	7,2	1 434	3 620	1 400	1 700	NNU4976K.M.HP	87,5
	380	560	135	5,0	513,0	449,0			17,7		9,5	9,1	1 695	3 480	1 300	1 600	NN3076K.M.HP	110
400	400	540	140	4,0			446,0	491,0	17,7		9,5	7,2	1 490	3 821	1 300	1 600	NNU4980K.M.HP	91,7
	400	600	148	5,0	549,0	477,0			17,7		9,5	9,5	2 160	4 500	1 200	1 500	NN3080K.M.HP	143
420	420	560	140	4,0			466,0	511,0	17,7		9,5	7,2	1 546	4 022	1 300	1 600	NNU4984K.M.HP	95,4
	420	620	150	5,0	569,0	497,0			17,7		9,5	10,0	2 100	4 520	1 200	1 500	NN3084K.M.HP	148
440	440	600	160	4,0			490,0	545,0	17,7		9,5	6,8	2 010	5 157	1 200	1 500	NNU4988K.M.HP	133
	440	650	157	6,0	597,0	520,0			23,5		12,5	10,2	2 460	5 120	1 100	1 400	NN3088K.M.HP	170
460	460	620	160	4,0			510,0	564,0	17,7		9,5	6,8	2 092	5 457	1 100	1 400	NNU4992K.M.HP	135
	460	680	163	6,0	624,0	544,0			23,5		12,5	10,9	2 610	5 395	1 100	1 400	NN3092K.M.HP	197
480	480	650	170	5,0			534,0	593,0	17,7		9,5	7,2	2 326	6 113	1 100	1 400	NNU4996K.M.HP	156
	480	700	165	6,0	644,0	564,0			23,5		12,5	11,2	2 690	5 860	1 000	1 300	NN3096K.M.HP	203
500	500	670	170	5,0			554,0	613,0	17,7		9,5	7,2	2 258	5 900	1 000	1 300	NNU49/500K.M.HP	161
	500	720	167	6,0	664,0	584,0			23,5		12,5	11,7	2 600	5 840	1 000	1 300	NN30/500K.M.HP	212

High-precision cylindrical roller bearings, single-row

The high-precision design of cylindrical roller bearings of the series N19.., N10..and selected types in HCN10.. are ideal floating bearings. At this design the inner ring is provided with two guide flanges while the outer ring is without guide flanges. They are characterized by a high radial rigidity.



High-precision cylindrical roller bearing, single-row



Series high-precision cylindrical roller bearings

In addition to their application as floating bearing, they are used also where a radial rigid, stable and highly precise bearing is required.

To exactly set the radial clearance, the standard version of the bearings is provided with a taper bore (taper 1:12). Thus the required radial clearance or radial preload can be set by axially shifting at the tapered seat of the shaft.

The rollers of the series HCN10.. are of ceramic material which clearly improves the characteristics in terms of friction and wear which, in turn, results in lower lubricant consumption and lower temperatures. Even higher speeds are admissible for this reason.

Cages

The standard version of high-precision thrust cylindrical roller bearings are provided with a solid brass cage supported by rolling elements.

Heat treatment

The high-precision cylindrical roller bearings have been heat treated such that they can be used up to an operating temperature of 150° C. Bearings with an outer diameter more than 120 mm maintain the accurate dimensions up to 200° C.

Tolerances

Due to their application cylindrical roller bearings are of high accuracy and have a specific tolerance class HP that corresponds to tolerance class SP according to DIN 5412-4. Bearings with other tolerances are available on request.

Bearing clearance

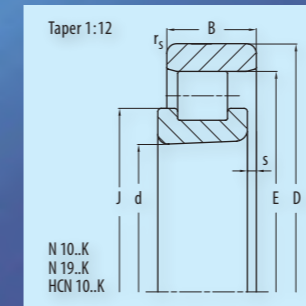
The standard radial clearance of the bearings is C1 (lower than standard clearance CN). Due to this bearing clearance it is not possible to exchange the bearings. That means the outer rings cannot be exchanged among the individual bearings as it is the case for single-row cylindrical roller bearings for series N.. . Both C1 and NA (for non-exchangeable) are not indicated.

Other radial clearance designs are available on request.

Note: Please see also our separate catalogue for high-precision bearings.

High-precision cylindrical roller bearings

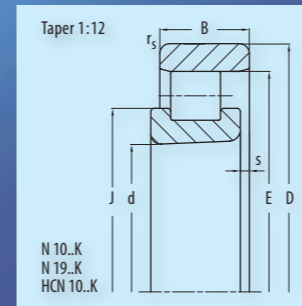
single-row



High-precision cylindrical roller bearings

single-row

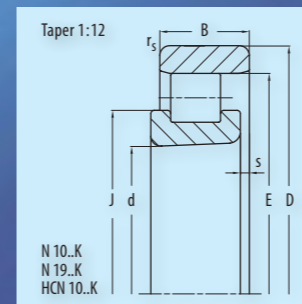
Shaft	Dimension (mm)							Load rating (kN)		Speed limit (min ⁻¹)		Code	Weight (kg)
	d	D	B	r _s	E	J	s	C	C ₀	Grease	Oil		
				min								dyn.	stat.
30	30	55	13	0,6	48,5	38,7	1,9	21	21	19 000	22 000	N 1006K.M1.HP	0,130
	30	55	13	0,6	48,5	38,7	1,9	17	17	24 000	28 000	HCN 1006K.M1.HP	0,120
35	35	62	14	0,6	55,0	44,4	2,0	26	28	16 000	18 000	N 1007K.M1.HP	0,170
	35	62	14	0,6	55,0	44,4	2,0	21	22	22 000	25 000	HCN 1007K.M1.HP	0,150
40	40	68	15	0,6	61,0	49,7	2,1	30	33	15 000	17 000	N 1008K.M1.HP	0,210
	40	68	15	0,6	61,0	49,7	2,1	24	26	20 000	24 000	HCN 1008K.M1.HP	0,190
45	45	75	16	0,6	67,5	55,4	2,2	36	40	13 000	15 000	N 1009K.M1.HP	0,260
	45	75	16	0,6	67,5	55,4	2,2	28	32	17 000	19 000	HCN 1009K.M1.HP	0,230
50	50	72	12	0,6	66,5	57,9	1,8	22	28	13 000	15 000	N 1910K.M1.HP	0,150
	50	80	16	0,6	72,5	60,5	2,2	37	42	12 000	14 000	N 1010K.M1.HP	0,280
	50	80	16	0,6	72,5	60,5	2,2	29	34	16 000	18 000	HCN 1010K.M1.HP	0,250
55	55	80	13	1,0	73,5	64,1	1,9	25	32	12 000	14 000	N 1911K.M1.HP	0,210
	55	90	18	1,0	80,5	67,7	2,5	41	50	11 000	13 000	N 1011K.M1.HP	0,440
	55	90	18	1,0	80,5	67,7	2,5	33	40	14 000	16 000	HCN 1011K.M1.HP	0,400
60	60	85	13	1,0	78,5	69,1	1,9	26	34	11 000	13 000	N 1912K.M1.HP	0,220
	60	95	18	1,0	85,5	72,6	2,5	45	57	10 000	12 000	N 1012K.M1.HP	0,470
	60	95	18	1,0	85,5	72,6	2,5	36	46	13 000	15 000	HCN 1012K.M1.HP	0,410
65	65	90	13	1,0	83,5	74,1	1,9	29	40	10 000	12 000	N 1913K.M1.HP	0,240
	65	100	18	1,0	90,5	77,6	2,5	45	57	9 500	11 000	N 1013K.M1.HP	0,500
	65	100	18	1,0	90,5	77,6	2,5	36	46	12 000	14 000	HCN 1013K.M1.HP	0,450
70	70	100	16	1,0	92,5	81,0	2,3	37	49	9 500	11 000	N 1914K.M1.HP	0,380
	70	110	20	1,0	100,0	83,9	2,5	65	81	9 000	10 000	N 1014K.M1.HP	0,670
	70	110	20	1,0	100,0	83,9	2,5	52	65	12 000	14 000	HCN 1014K.M1.HP	0,590
75	75	105	16	1,0	97,0	86,0	2,3	38	53	9 000	10 000	N 1915K.M1.HP	0,410
	75	115	20	1,0	105,0	88,9	2,5	67	85	8 500	9 500	N 1015K.M1.HP	0,710
	75	115	20	1,0	105,0	88,9	2,5	53	68	11 000	13 000	HCN 1015K.M1.HP	0,630
80	80	110	16	1,0	102,5	91,0	2,3	39	56	8 500	9 500	N 1916K.M1.HP	0,430
	80	125	22	1,0	113,5	95,8	3,0	77	99	7 500	8 500	N 1016K.M1.HP	1,00
	80	125	22	1,0	113,5	95,8	3,0	62	79	10 000	12 000	HCN 1016K.M1.HP	0,880
85	85	120	18	1,0	110,5	97,9	2,5	52	75	7 500	8 500	N 1917K.M1.HP	0,600
	85	130	22	1,0	118,5	100,7	3,0	78	103	7 500	8 500	N 1017K.M1.HP	1,04
	85	130	22	1,0	118,5	100,7	3,0	63	83	10 000	12 000	HCN 1017K.M1.HP	0,920
90	90	125	18	1,0	115,5	102,9	2,5	52	78	7 500	8 500	N 1918K.M1.HP	0,630
	90	140	24	1,1	127,0	107,6	3,2	93	124	6 700	7 500	N 1018K.M1.HP	1,39
	90	140	24	1,1	127,0	107,6	3,2	74	99	9 000	10 000	HCN 1018K.M1.HP	1,23



Shaft	Dimension (mm)							Load rating (kN)		Speed limit (min ⁻¹)		Code	Weight (kg)
	d	D	B	r _s	E	J	s	C	C ₀	Grease	Oil	Bearing	
				min				dyn.	stat.				
95	95	130	18	1,0	120,5	107,9	2,5	53	80	7 000	8 000	N 1919K.M1.HP	0,660
	95	145	24	1,1	132,0	112,6	3,2	96	130	6 300	7 000	N 1019K.M1.HP	1,34
	95	145	24	1,1	132,0	112,6	3,2	77	104	8 000	9 000	HCN 1019K.M1.HP	1,20
100	100	140	20	1,0	130,0	114,2	2,5	77	112	6 300	7 000	N 1920K.M1.HP	0,894
	100	150	24	1,1	137,0	117,6	3,2	98	134	6 000	6 700	N 1020K.M1.HP	1,39
	100	150	24	1,1	137,0	117,6	3,2	78	107	8 000	9 000	HCN 1020K.M1.HP	1,23
105	105	145	20	1,0	135,0	119,2	2,5	79	117	6 000	6 700	N 1921K.M1.HP	0,930
	105	160	26	1,1	145,5	124,5	3,4	114	157	5 600	6 300	N 1021K.M1.HP	1,82
	105	160	26	1,1	145,5	124,5	3,4	91	126	7 500	8 500	HCN 1021K.M1.HP	1,61
110	110	150	20	1,0	140,0	123,9	2,5	81	121	6 000	6 700	N 1922K.M1.HP	0,960
	110	170	28	1,1	155,0	130,8	3,4	141	190	5 300	6 000	N 1022K.M1.HP	2,23
	110	170	28	1,1	155,0	130,8	3,4	112	152	7 000	8 000	HCN 1022K.M1.HP	1,94
120	120	165	22	1,0	153,5	135,6	3,0	96	146	5 300	6 000	N 1924K.M1.HP	1,33
	120	180	28	1,1	165,0	140,8	3,4	148	209	5 000	5 600	N 1024K.M1.HP	2,45
	120	180	28	1,1	165,0	140,8	3,4	118	167	6 700	7 500	HCN 1024K.M1.HP	2,14
130	130	180	24	1,1	167,0	147,7	3,2	113	174	4 800	5 300	N 1926K.M1.HP	1,77
	130	200	33	1,1	182,0	154,6	4,2	181	257	4 300	4 800	N 1026K.M1.HP	3,62
140	140	190	24	1,1	177,0	158,0	3,2	118	190	4 300	4 800	N 1928K.M1.HP	1,89
	140	210	33	1,1	192,0	164,6	4,2	187	269	4 000	4 500	N 1028K.M1.HP	3,83
150	150	210	28	1,1	194,0	171,7	3,6	154	243	4 000	4 500	N 1930K.M1.HP	2,93
	150	225	35	1,5	205,5	176,5	4,4	213	313	3 800	4 300	N 1030K.M1.HP	4,71
160	160	220	28	1,1	204,0	181,7	3,6	156	259	3 800	4 300	N 1932K.M1.HP	3,13
	160	240	38	1,5	220,0	187,8	4,6	245	356	3 400	3 800	N 1032K.M1.HP	5,79
170	170	230	28	1,1	214,0	191,6	3,6	160	267	3 400	3 800	N 1934K.M1.HP	3,23
	170	260	42	2,1	237,0	200,9	5,0	298	441	3 200	3 600	N 1034K.M1.HP	7,70
180	180	250	33	1,1	232,0	204,8	4,2	215	348	3 200	3 600	N 1936K.M1.HP	4,82
	180	280	46	2,1	255,0	214,1	5,6	370	541	3 000	3 400	N 1036K.M1.HP	9,96
190	190	260	33	1,1	242,0	214,8	4,2	220	360	3 000	3 400	N 1938K.M1.HP	5,00
	190	290	46	2,1	265,0	224,1	5,6	377	567	2 800	3 200	N 1038K.M1.HP	10,4
200	200	280	38	1,5	259,0	228,5	4,8	269	443	2 800	3 200	N 1940K.M1.HP	6,00
	200	310	51	2,1	281,0	239,1	6,4	406	616	2 600	3 000	N 1040K.M1.HP	13,7
220	220	300	38	1,5	279,0	248,5	4,8	275	474	2 600	3 000	N 1944K.M1.HP	7,63
	220	340	56	3,0	310,0	261,7	6,6	516	775	2 400	2 800	N 1044K.M1.HP	17,9
240	240	320	38	1,5	299,0	268,5	4,8	293	519	2 400	2 800	N 1948K.M1.HP	8,22
	240	360	56	3,0	330,0	281,7	6,6	540	846	2 200	2 600	N 1048K.M1.HP	19,2

High-precision cylindrical roller bearings

single-row



High-precision cylindrical roller bearings

single-row

Shaft	Dimension (mm)							Load rating (kN)		Speed limit (min ⁻¹)		Code	Weight (kg)
	d	D	B	r _s	E	J	s	C	C ₀	Grease	Oil	Bearing	
				min				dyn.	stat.				
260	260	360	46	1,5	334,0	295,4	5,4	440	750	2 000	2 400	N 1952K.M1.HP	16,8
	260	400	65	4,0	364,0	309,3	8,1	669	1 057	1 900	2 200	N 1052K.M1.HP	28,6
280	280	380	46	1,5	354,0	313,1	5,4	459	800	1 900	2 200	N 1956K.M1.HP	14,6
	280	420	65	4,0	384,0	329,3	8,1	709	1 149	1 800	2 000	N 1056K.M1.HP	30,4
300	300	420	56	3,0	390,0	341,7	6,6	609	1 061	1 700	1 900	N 1960K.M1.HP	23,1
	300	460	74	4,0	420,0	355,7	8,7	906	1 437	1 600	1 800	N 1060K.M1.HP	43,0
320	320	440	56	3,0	410,0	361,7	6,6	637	1 133	1 600	1 800	N 1964K.M1.HP	24,9
	320	480	74	4,0	440,0	375,7	8,7	920	1 503	1 500	1 700	N 1064K.M1.HP	45,2
340	340	460	56	3,0	430,0	381,7	6,6	665	1 204	1 500	1 700	N 1968K.M1.HP	26,3
	340	520	82	5,0	475,0	402,7	9,3	1 100	1 795	1 400	1 600	N 1068K.M1.HP	60,7
360	360	480	56	3,0	450,0	401,7	6,6	662	1 243	1 400	1 600	N 1972K.M1.HP	27,5
	360	540	82	5,0	495,0	421,6	9,3	1 132	1 876	1 300	1 500	N 1072K.M1.HP	64,4
380	380	520	65	4,0	484,0	429,6	8,1	815	1 500	1 300	1 500	N 1976K.M1.HP	40,0
	380	560	82	5,0	515,0	441,6	9,3	1 165	1 958	1 300	1 500	N 1076K.M1.HP	66,8
400	400	540	65	4,0	504,0	449,6	8,1	815	1 580	1 300	1 500	N 1980K.M1.HP	41,7
	400	600	90	5,0	550,0	470,0	10,4	1 435	2 448	1 200	1 400	N 1080K.M1.HP	86,2
420	420	560	65	4,0	524,0	469,6	8,1	850	1 630	1 200	1 400	N 1984K.M1.HP	43,5
	420	620	90	5,0	570,0	489,7	10,4	1 400	2 400	1 100	1 300	N 1084K.M1.HP	90,7
440	440	600	74	4,0	558,0	497,2	9,1	1 020	1 960	1 100	1 300	N 1988K.M1.HP	60,2
	440	650	94	6,0	597,0	513,5	10,8	1 560	2 750	1 100	1 300	N 1088K.M1.HP	106
460	460	620	74	4,0	578,0	517,2	9,1	1 060	2 080	1 100	1 300	N 1992K.M1.HP	62,6
	460	680	100	6,0	624,0	536,5	11,6	1 660	3 000	1 000	1 200	N 1092K.M1.HP	120
480	480	650	78	5,0	605,0	541,0	9,5	1 140	2 240	1 000	1 200	N 1996K.M1.HP	73,1
	480	700	100	6,0	644,0	556,4	11,6	1 700	3 100	950	1 100	N 1096K.M1.HP	125
500	500	670	78	5,0	625,0	561,0	9,5	1 180	2 360	1 000	1 200	N 19/500K.M1.HP	75,7
	500	720	100	6,0	664,0	576,5	11,6	1 760	3 200	950	1 100	N 10/500K.M1.HP	130

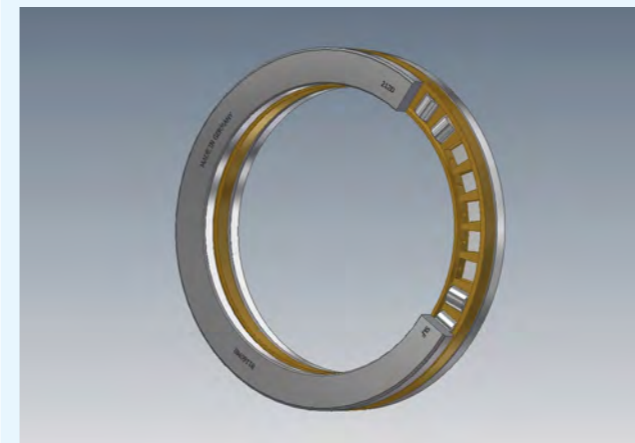
Thrust cylindrical roller bearings, single-row

Thrust cylindrical roller bearings are rigid, stable and impact-resistant bearings.

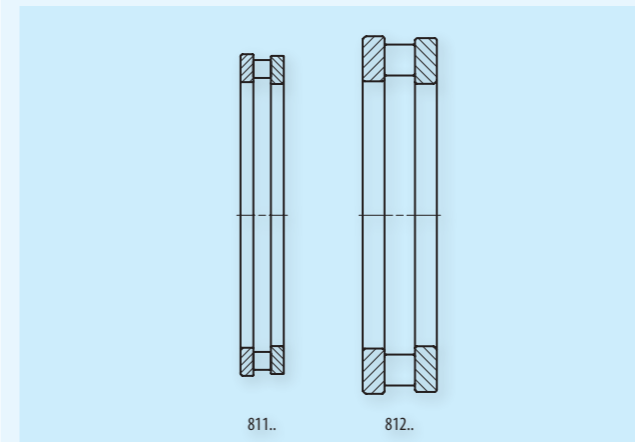
The bearings accept very high forces in one axial direction; however, no radial forces can be accepted and they are not angle adjustable.

Thrust cylindrical roller bearings can be dismantled. They consist of an axial cylindrical roller race, shaft locating washer and housing locating washer.

The bearings of series 811, 812 are single-row types and are in accordance to DIN 722/ISO 104.



Thrust cylindrical roller bearing, single-row



Series thrust cylindrical roller bearings, single-row

Cages

The standard version of thrust cylindrical roller bearings is provided with a solid brass cage supported by rolling elements.

Other cage designs are available on request.

Tolerances

The basic design of thrust cylindrical roller bearings has the standard tolerance of thrust bearings. Bearings with other tolerances are available on request.

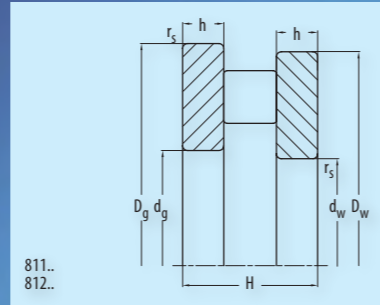
Norms

Thrust cylindrical roller bearings

DIN 722 / ISO 104

Thrust cylindrical roller bearings

single-row



811..
812..

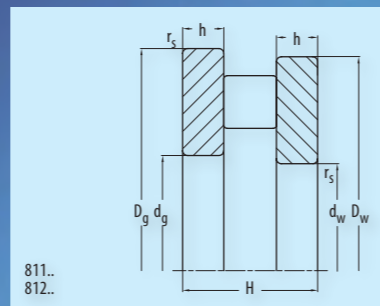
Thrust cylindrical roller bearings

single-row

Shaft	Dimension (mm)							Load rating (kN)		Speed limit (min ⁻¹)		Code Bearing	Weight (kg)
	d _w	d _g	D _w	D _g	H	h	r _s	C	C ₀	Grease	Oil		
							min	dyn.	stat.				
40	40	42	60	60	13	3,5	0,6	55	146	1 900	5 300	81108M	0,110
	40	42	68	68	19	5	1	105	263	1 700	4 800	81208M	0,260
45	45	47	65	65	14	4	0,6	58	161	1 700	4 800	81109M	0,140
	45	47	73	73	20	5,5	1	106	265	1 600	4 500	81209M	0,300
50	50	52	70	70	14	4	0,6	60	175	1 500	4 300	81110M	0,150
	50	52	78	78	22	6,5	1	115	312	1 400	4 000	81210M	0,370
55	55	57	78	78	16	5	0,6	89	298	1 400	4 000	81111M	0,230
	55	57	90	90	25	7	1	152	402	1 200	3 600	81211M	0,580
60	60	62	85	85	17	4,75	1	101	312	1 200	3 600	81112M	0,280
	60	62	95	95	26	7,5	1	170	475	1 100	3 400	81212M	0,650
65	65	67	90	90	18	5,25	1	105	335	1 100	3 400	81113M	0,320
	65	67	100	100	27	8	1	175	495	1 000	3 200	81213M	0,730
70	70	72	95	95	18	5,25	1	110	363	1 000	3 200	81114M	0,340
	70	72	105	105	27	8	1	185	545	950	3 000	81214M	0,770
75	75	77	100	100	19	5,75	1	103	340	950	3 000	81115M	0,390
	75	77	110	110	27	8	1	170	499	900	2 800	81215M	0,820
80	80	82	105	105	19	5,75	1	105	350	900	2 800	81116M	0,410
	80	82	115	115	28	8,5	1	200	630	850	2 600	81216M	0,900
85	85	87	110	110	19	5,75	1	110	380	850	2 600	81117M	0,430
	85	88	125	125	31	9,5	1	215	660	800	2 400	81217M	1,22
90	90	92	120	120	22	6,5	1	140	460	800	2 400	81118M	0,640
	90	93	135	135	35	10,2	1,1	290	890	800	2 400	81218M	1,66
100	100	102	135	135	25	7	1	195	650	750	2 200	81120M	0,940
	100	103	150	150	38	11,5	1,1	285	840	700	2 000	81220M	2,23
110	110	112	145	145	25	7	1	205	700	700	2 000	81122M	1,03
	110	113	160	160	38	11,5	1,1	300	940	670	1 900	81222M	2,70
120	120	122	155	155	25	7	1	200	700	670	1 900	81124M	1,25
	120	123	170	170	39	12	1,1	310	980	630	1 800	81224M	2,99
130	130	132	170	170	30	9	1	230	800	600	1 700	81126M	1,69
	130	133	190	190	45	13	1,5	420	1 280	560	1 600	81226M	4,37
140	140	142	178	180	31	9,5	1	240	870	560	1 600	81128M	2,03
	140	143	197	200	46	13,5	1,5	440	1450	530	1 500	81228M	4,76
150	150	152	188	190	31	9,5	1	250	930	530	1 500	81130M	2,16
	150	153	212	215	50	14,5	1,5	590	1 900	500	1 400	81230M	6,04
160	160	162	198	200	31	9,5	1	260	990	500	1 400	81132M	2,28
	160	163	222	225	51	15	1,5	600	2 000	500	1 400	81232M	6,52

Thrust cylindrical roller bearings

single-row



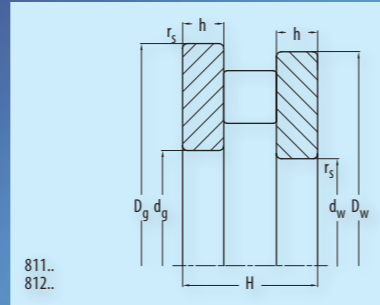
Thrust cylindrical roller bearings

single-row

Shaft	Dimension (mm)							Load rating (kN)		Speed limit (min ⁻¹)		Code	Weight (kg)
	d _w	d _g	D _w	D _g	H	h	r _s	C	C ₀	Grease	Oil	Bearing	
								dyn.	stat.				
180	180	183	247	250	56	17	1,5	690	2 400	450	1 200	81236M	8,69
	190	193	237	240	37	11	1,1	380	1 500	450	1 200	81138M	3,99
190	190	194	267	270	62	18	2	880	3 000	430	1 100	81238M	11,7
	200	203	247	250	37	11	1,1	390	1 550	450	1 200	81140M	4,17
200	200	204	277	280	62	18	2	900	3 200	430	1 100	81240M	12,2
	220	223	267	270	37	11	1,1	420	1 730	430	1 100	81144M	4,55
220	220	224	297	300	63	18,5	2	940	3 450	400	1 000	81244M	13,4
	240	243	297	300	45	13,5	1,5	600	2 500	380	950	81148M	7,43
240	240	244	335	340	78	23	2,1	1 300	5 000	360	900	81248M	23,1
	260	263	317	320	45	13,5	1,5	620	2 650	360	900	81152M	7,99
260	260	264	355	360	79	23,5	2,1	1 440	5 400	340	850	81252M	25,1
	280	283	347	350	53	15,5	1,5	860	3 650	340	850	81156M	12,0
280	280	284	375	380	80	24	2,1	1 460	5 600	320	800	81256M	27,1
	300	304	376	380	62	18,5	2	1 060	4 500	300	750	81160M	17,2
300	300	305	415	420	95	28,5	3	1 930	7 300	280	700	81260M	42,5
	320	324	396	400	63	19	2	1 110	4 800	280	700	81164M	18,6
320	320	325	435	440	95	28,5	3	1 960	7 600	260	670	81264M	44,6
	340	344	416	420	64	19,5	2	1 130	5 000	260	670	81168M	19,9
340	340	345	455	460	96	29	3	2 060	8 300	240	630	81268M	47,6
	360	364	436	440	65	20	2	1 140	5 100	240	630	81172M	21,4
360	360	365	495	500	110	32,5	4	2 700	10 600	220	600	81272M	68,7
	380	384	456	460	65	20	2	1 180	5 400	240	630	81176M	22,4
380	380	385	515	520	112	33,5	4	2 750	11 000	200	560	81276M	73,3
	400	404	476	480	65	20	2	1 200	5 700	220	600	81180M	23,5
400	400	405	535	540	112	33,5	4	2 800	12 000	200	560	81280M	76,6
	420	424	495	500	65	20	2	1 250	5 900	200	560	81184M	24,3
420	420	425	575	580	130	39	5	3 500	14 200	190	530	81284M	109
	440	444	535	540	80	24	2,1	1 800	8 200	190	530	81188M	40,2
440	440	445	595	600	130	39	5	3 600	15 000	180	500	81288M	113
	460	464	555	560	80	24	2,1	1 850	8 700	180	500	81192M	41,9
460	460	465	615	620	130	39	5	3 700	16 000	170	480	81292M	118
	480	484	575	580	80	24	2,1	1 900	9 000	180	500	81196M	43,5
480	480	485	645	650	135	39,5	5	4 100	17 000	160	450	81296M	135
	500	505	595	600	80	24	2,1	1 910	9 300	170	480	811/500M	44,9
500	500	505	665	670	135	39,5	5	4 150	18 000	160	450	812/500M	140

Thrust cylindrical roller bearings

single-row



Thrust cylindrical roller bearings

single-row

Shaft	Dimension (mm)							Load rating (kN)		Speed limit (min ⁻¹)		Code	Weight (kg)
	d _w	d _g	D _w	D _g	H	h	r _s	C	C ₀	Grease	Oil	Bearing	
								dyn.	stat.				
530	530	535	635	640	85	25,5	3	2 100	11 000	160	450	811/530M	56,1
	530	535	705	710	140	40	5	4 800	21 000	150	430	812/530M	163
560	560	565	665	670	85	25,5	3	2 200	11 000	150	430	811/560M	59,0
	560	565	745	750	150	45	5	4 900	21 500	140	400	812/560M	196
600	600	605	705	710	85	25,5	3	2 250	12 000	140	400	811/600M	62,8
	600	605	795	800	160	48	5	5 500	24 000	130	380	812/600M	236
630	630	635	745	750	95	28,5	3	2 200	14 000	130	380	811/630M	81,2
	630	635	845	850	175	53,5	6	4 800	26 000	120	360	812/630M	302
670	670	675	795	800	105	31,5	4	2 600	17 000	120	360	811/670M	104
	670	675	895	900	180	52,5	6	5 700	31 000	110	340	812/670M	342
710	710	715	845	850	112	33,5	4	2 900	19 000	110	340	811/710M	127
	710	715	945	950	190	57,5	6	5 900	32 000	100	320	812/710M	402
750	750	755	895	900	120	36	4	3 300	22 000	100	320	811/750M	155
	750	755	995	1 000	195	57,5	6	6 600	36 000	95	300	812/750M	452
800	800	805	945	950	120	36	4	3 500	22 000	95	300	811/800M	164
	800	805	1 055	1 060	205	60	7,5	7 100	39 000	90	280	812/800M	525
850	850	855	995	1 000	120	36	4	3 600	23 500	90	280	811/850M	174
	850	855	1 115	1 120	212	61	7,5	7 800	44 000	85	260	812/850M	596
900	900	905	1 055	1 060	130	39	5	3 750	24 500	85	260	811/900M	213
	900	905	1 175	1 180	220	65	7,5	8 000	45 500	80	240	812/900M	680
950	950	955	1 115	1 120	135	40,5	5	4 050	27 500	85	260	811/950M	249
1 000	1 000	1 005	1 175	1 180	140	42	5	4 400	30 000	80	240	811/1000M	289

Self-aligning roller bearings

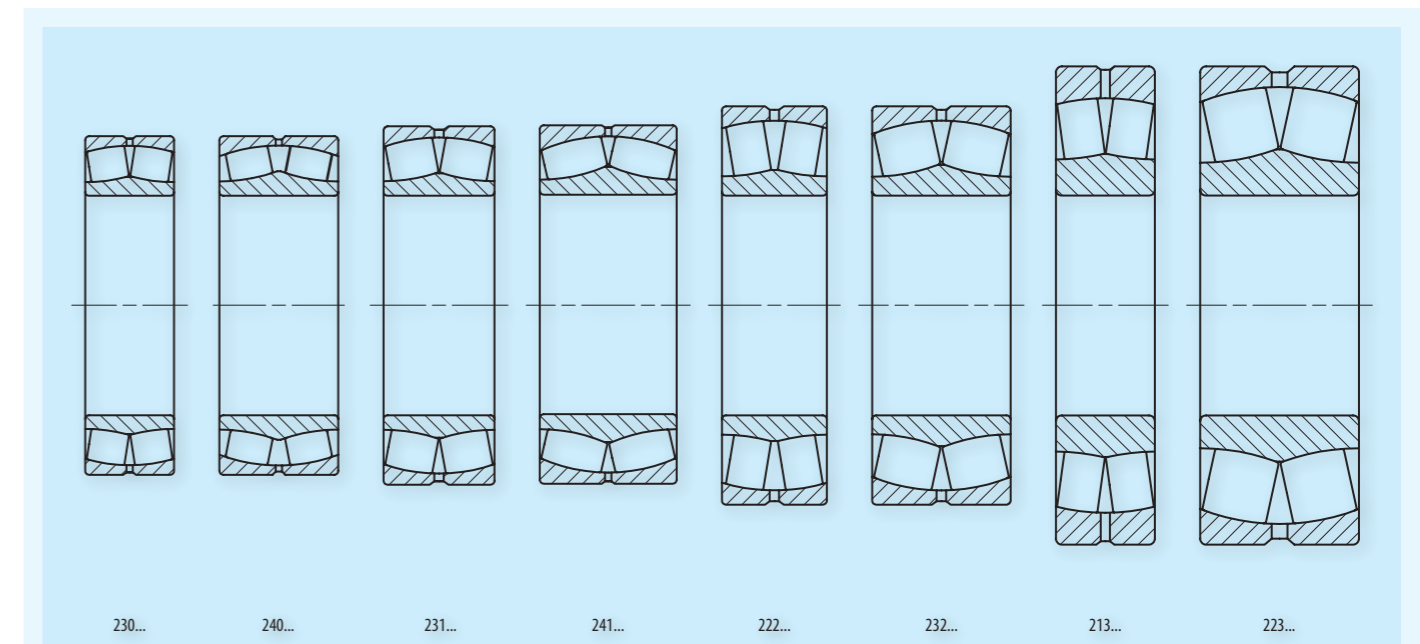
Self-aligning roller bearings are bearings for the most severe fields of application and contain two rows of symmetrical spherical rollers which set freely in the hollow spherical outer raceway. Shaft deflections and misalignments can be compensated by this design.

Self-aligning roller bearings are provided with a maximum number of rollers with large diameter and length. Uniform distribution of stresses and a high load capacity are achieved by the close contact between the rollers and the raceway.

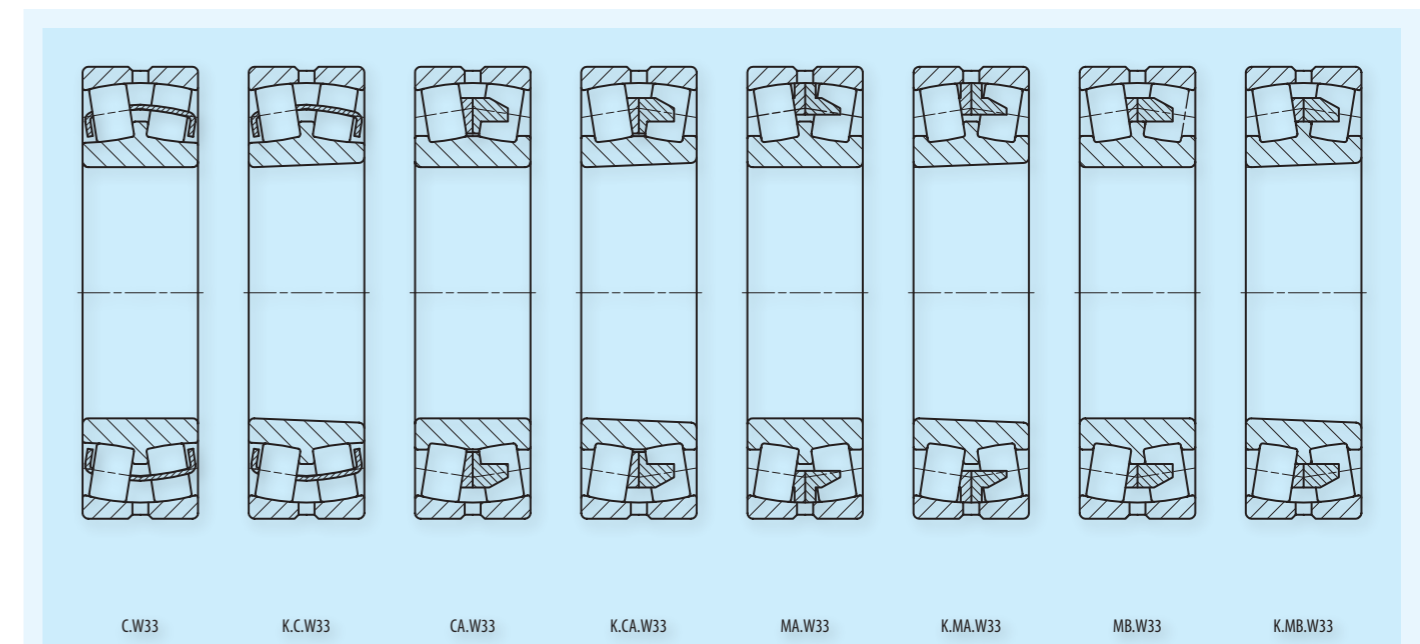
The standard version of SLF self-aligning roller bearings is the E version and thus the E is not indicated.

Self-aligning roller bearings are built with cylindrical and tapered bore. In addition the bearings are provided with a ring lubrication groove and lubrication bores at the outer ring (suffix .W33).

Self-aligning roller bearings are offered in series 230, 240, 231, 241, 222, 232, 213 and 223.



Series self-aligning roller bearings



Design self-aligning roller bearings

Heat treatment

As standard - SLF self-aligning roller bearings have been heat treated such that they can be used up to an operating temperature of 200° C. However, if the self-aligning roller bearings are provided with a polyamide cage, the temperature limit of the cage (max. 120° C permanent temperature) should be taken into account.

Cages

The standard versions of self-aligning roller bearings are supplied only with sheet-metal resp. brass cage. Polyamide cages are available only on request.

Tapered bore

The range of products includes self-aligning roller bearings with cylindrical and tapered bore. The taper of the bore is 1:12.

Angular adjustment facility

In order to compensate misalignments self-aligning roller bearings can be slewn by approx. 0.5° from the center position without restrictions under standard operating conditions and a circumferential inner ring. Slewing angles of maximum 2° may be permitted in case of low stresses.

Dynamic equivalent loading

For lifetime calculation an equivalent radial load has to be inserted in case of combined loading. This is determined as follows:

Dynamic equivalent loading	
	at a load ratio
$P = F_r + Y_1 * F_a$	for $\frac{F_a}{F_r} \leq e$
$P = 0,67 * F_r + Y_2 * F_a$	for $\frac{F_a}{F_r} > e$
P	Dynamic equivalent loading for radial and axial load
F_r	Dynamic radial load
F_a	Dynamic axial load
e, Y₁, Y₂	Factors according to bearing table

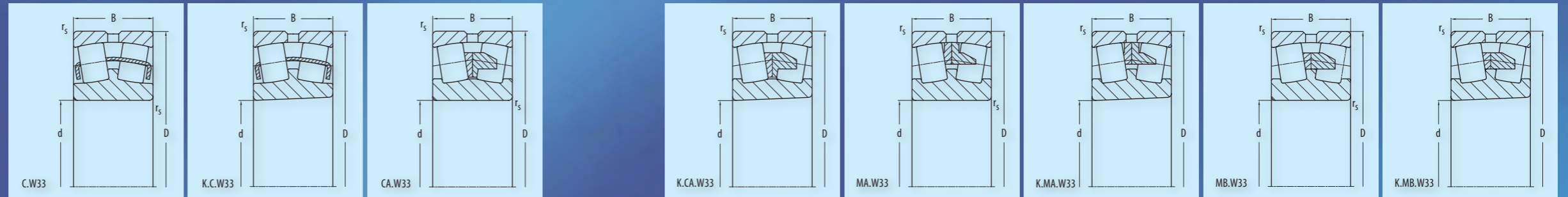
Static equivalent loading

In order to evaluate static structural safety for combined loading equivalent radial load has to be calculated as follows:

Static equivalent loading	
$P_0 = F_{0r} + Y_0 * F_{0a}$	
P₀	Static equivalent loading for radial and axial load
F_{0r}	Static radial load
F_{0a}	Static axial load
Y₀	Factor according to bearing table

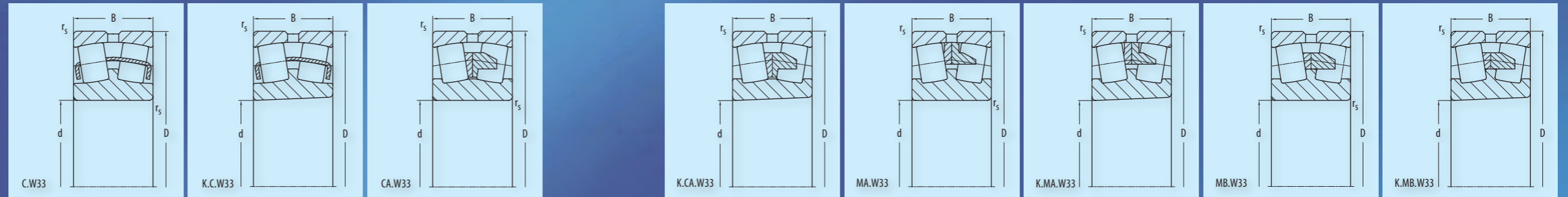
Norms	
Self-aligning roller bearings	DIN 635-2

Self-aligning roller bearings



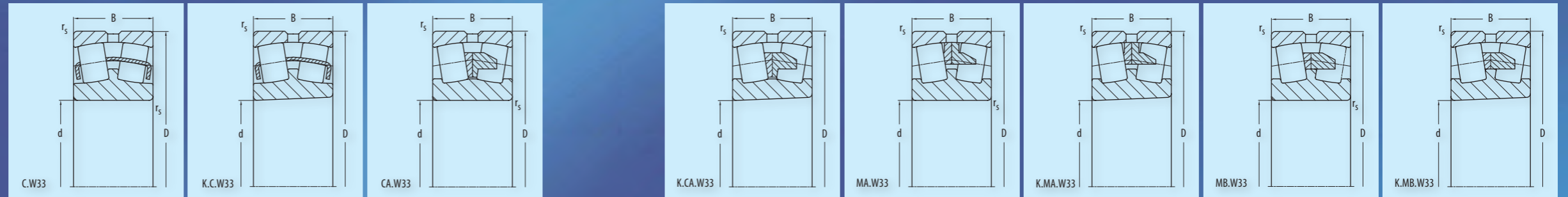
Shaft	Dimension (mm)				Load rating (kN)				Load rating (kN)		Speed limit (min ⁻¹)		Code Bearing	Weight (kg)
	d	D	B	r _s min	C dyn.	e	Y ₁	Y ₂	C ₀ stat.	Y ₀	Grease	Oil		
25	25	52	18	1	43	0,35	1,9	2,9	43	1,8	7 500	10 000	22205C.W33	0,180
	25	52	18	1	43	0,35	1,9	2,9	43	1,8	7 500	10 000	22205K.C.W33	0,180
30	30	62	20	1	59	0,36	1,9	2,8	62	1,9	6 300	8 500	22206C.W33	0,280
	30	62	20	1	59	0,36	1,9	2,8	62	1,9	6 300	8 500	22206K.C.W33	0,280
35	35	72	23	1,1	81	0,36	1,9	2,8	88	1,9	5 300	7 000	22207C.W33	0,430
	35	72	23	1,1	81	0,36	1,9	2,8	88	1,9	5 300	7 000	22207K.C.W33	0,430
40	40	80	23	1,1	88	0,31	2,2	3,2	98	2,1	4 800	6 300	22208C.W33	0,520
	40	80	23	1,1	88	0,31	2,2	3,2	98	2,1	4 800	6 300	22208K.C.W33	0,510
	40	90	23	1,5	99	0,26	2,6	3,9	120	2,6	4 500	6 000	21308C.W33	0,710
	40	90	23	1,5	99	0,26	2,6	3,9	120	2,6	4 500	6 000	21308K.C.W33	0,700
	40	90	33	1,5	140	0,4	1,6	2,5	145	1,6	4 300	5 600	22308C.W33	1,10
	40	90	33	1,5	140	0,4	1,6	2,5	145	1,6	4 300	5 600	22308K.C.W33	1,00
	40	90	33	1,5	125	0,4	1,7	2,5	135	1,6	3 800	5 000	22308MB.W33	1,20
45	45	85	23	1,1	93	0,3	2,3	3,4	105	2,2	4 500	6 000	22209C.W33	0,560
	45	85	23	1,1	93	0,3	2,3	3,4	105	2,2	4 500	6 000	22209K.C.W33	0,550
	45	100	25	1,5	120	0,26	2,6	3,9	135	2,6	4 000	5 300	21309C.W33	0,950
	45	100	25	1,5	120	0,26	2,6	3,9	135	2,6	4 000	5 300	21309K.C.W33	0,940
	45	100	36	1,5	165	0,4	1,7	2,5	190	1,6	3 800	5 000	22309C.W33	1,35
	45	100	36	1,5	165	0,4	1,7	2,5	190	1,6	3 800	5 000	22309K.C.W33	1,30
	45	100	36	1,5	150	0,4	1,7	2,5	175	1,6	3 400	4 500	22309MB.W33	1,36
50	50	90	23	1,1	100	0,26	2,6	3,9	120	2,5	4 000	5 300	22210C.W33	0,610
	50	90	23	1,1	100	0,26	2,6	3,9	120	2,5	4 000	5 300	22210K.C.W33	0,600
	50	110	27	2	120	0,24	2,8	4,1	130	2,7	3 600	4 800	21310C.W33	1,25
	50	110	27	2	120	0,24	2,8	4,1	130	2,7	3 600	4 800	21310K.C.W33	1,25
	50	110	40	2	190	0,4	1,7	2,4	220	1,6	3 400	4 500	22310C.W33	1,88
	50	110	40	2	190	0,4	1,7	2,4	220	1,6	3 400	4 500	22310K.C.W33	1,88
	50	110	40	2	195	0,4	1,7	2,5	220	1,6	3 000	4 000	22310MB.W33	1,84
	50	110	40	2	195	0,4	1,7	2,5	220	1,6	3 000	4 000	22310MA.C4.F80.W33	1,84
55	55	100	25	1,5	120	0,27	2,5	3,8	140	2,5	3 800	5 000	22211C.W33	0,820
	55	100	25	1,5	120	0,27	2,5	3,8	140	2,5	3 800	5 000	22211K.C.W33	0,800
	55	120	29	2	135	0,24	2,8	4,1	155	2,7	3 200	4 300	21311C.W33	1,65
	55	120	29	2	135	0,24	2,8	4,1	155	2,7	3 200	4 300	21311K.C.W33	1,60

Self-aligning roller bearings



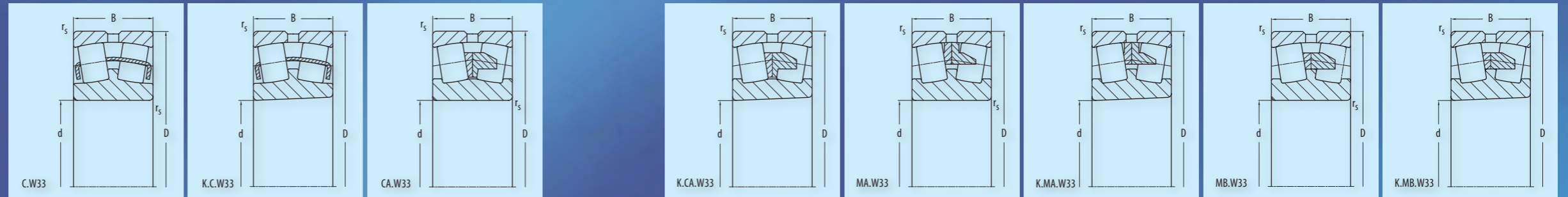
Shaft	Dimension (mm)				Load rating (kN)				Load rating (kN)		Speed limit (min ⁻¹)		Code	Weight (kg)
	d	D	B	r _s	C	e	Y ₁	Y ₂	C ₀	Y ₀	Grease	Oil		
				min	dyn.				stat.					
55	55	120	43	2	230	0,4	1,7	2,5	265	1,6	3 000	4 000	22311C.W33	2,35
	55	120	43	2	230	0,4	1,7	2,5	265	1,6	3 000	4 000	22311K.C.W33	2,30
	55	120	43	2	220	0,4	1,7	2,5	255	1,6	2 800	3 600	22311MA.W33	2,49
	55	120	43	2	220	0,4	1,7	2,5	255	1,6	2 800	3 600	22311MB.W33	2,43
	55	120	43	2	220	0,4	1,7	2,5	255	1,6	2 800	3 600	22311MA.C4.F80.W33	2,43
60	60	110	28	1,5	145	0,24	2,5	3,7	175	2,4	3 400	4 500	22212C.W33	1,16
	60	110	28	1,5	145	0,24	2,5	3,7	175	2,4	3 400	4 500	22212K.C.W33	1,10
	60	130	31	2,1	150	0,24	2,9	4,3	180	2,8	3 000	4 000	21312C.W33	1,95
	60	130	31	2,1	150	0,24	2,9	4,3	180	2,8	3 000	4 000	21312K.C.W33	1,90
	60	130	46	2,1	270	0,4	1,8	2,5	320	1,7	2 800	3 800	22312C.W33	2,95
	60	130	46	2,1	270	0,4	1,8	2,5	320	1,7	2 800	3 800	22312K.C.W33	2,85
	60	130	46	2,1	260	0,4	1,7	2,5	310	1,6	2 600	3 400	22312MB.W33	2,98
	60	130	46	2,1	260	0,4	1,7	2,5	310	1,6	2 600	3 400	22312MA.C4.F80.W33	2,98
65	65	120	31	1,5	180	0,28	2,4	3,6	220	2,4	3 000	4 000	22213C.W33	1,45
	65	120	31	1,5	180	0,28	2,4	3,6	220	2,4	3 000	4 000	22213K.C.W33	1,40
	65	120	31	1,5	165	0,28	2,4	3,6	200	2,4	2 800	3 600	22213MB.W33	1,73
	65	140	33	2,1	220	0,24	2,8	4,2	290	2,8	2 800	3 800	21313C.W33	2,45
	65	140	33	2,1	220	0,24	2,8	4,2	290	2,8	2 800	3 800	21313K.C.W33	2,40
	65	140	48	2,1	305	0,39	1,7	2,6	360	1,7	2 800	3 600	22313C.W33	3,55
	65	140	48	2,1	305	0,39	1,7	2,6	360	1,7	2 800	3 600	22313K.C.W33	3,45
	65	140	48	2,1	280	0,39	1,7	2,6	330	1,7	2 400	3 200	22313MA.W33	3,56
	65	140	48	2,1	280	0,38	1,8	2,6	330	1,7	2 400	3 200	22313MB.W33	3,51
	65	140	48	2,1	280	0,38	1,8	2,6	330	1,7	2 400	3 200	22313MA.C4.F80.W33	3,51
70	70	125	31	1,5	180	0,26	2,6	3,9	225	2,6	2 800	3 800	22214C.W33	1,55
	70	125	31	1,5	180	0,26	2,6	3,9	225	2,6	2 800	3 800	22214K.C.W33	1,50
	70	150	35	2,1	250	0,23	2,9	4,4	310	2,9	2 600	3 400	21314C.W33	3,10
	70	150	35	2,1	250	0,23	2,9	4,4	310	2,9	2 600	3 400	21314K.C.W33	3,00
	70	150	51	2,1	375	0,38	1,8	2,6	455	1,7	2 400	3 200	22314C.W33	4,35
	70	150	51	2,1	375	0,38	1,8	2,6	455	1,7	2 400	3 200	22314K.C.W33	4,30
	70	150	51	2,1	340	0,37	1,8	2,7	420	1,8	2 200	2 800	22314MB.W33	4,30
75	75	130	31	1,5	190	0,24	2,8	4,1	250	2,7	2 800	3 800	22215C.W33	1,65
	75	130	31	1,5	190	0,24	2,8	4,1	250	2,7	2 800	3 800	22215K.C.W33	1,60
	75	130	31	1,5	175	0,24	2,8	4,1	230	2,7	2 600	3 400	22215MB.W33	1,72
	75	160	37	2,1	280	0,23	2,9	4,4	360	2,9	2 400	3 200	21315C.W33	3,55
	75	160	37	2,1	280	0,23	2,9	4,4	360	2,9	2 400	3 200	21315K.C.W33	3,50

Self-aligning roller bearings



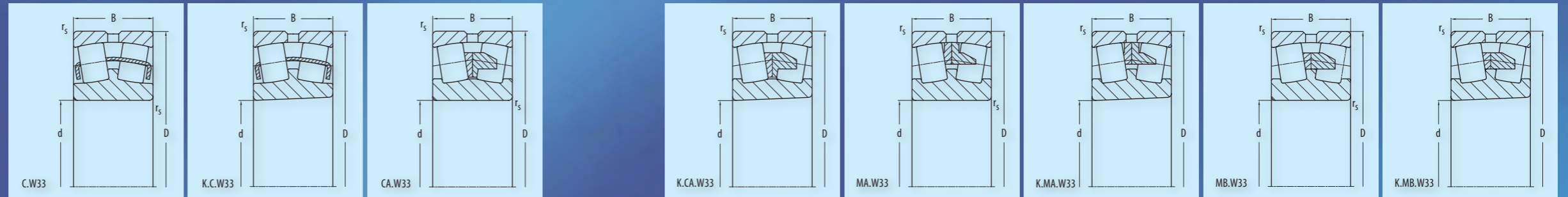
Shaft	Dimension (mm)				Load rating (kN)				Load rating (kN)		Speed limit (min ⁻¹)		Code	Weight (kg)
	d	D	B	r _s	C	e	Y ₁	Y ₂	C ₀	Y ₀	Grease	Oil		
													min	dyn.
75	75	160	55	2,1	415	0,38	1,8	2,6	520	1,7	2 200	3 000	22315C.W33	5,25
	75	160	55	2,1	380	0,38	1,8	2,6	475	1,7	2 200	3 000	22315K.C.W33	5,15
	75	160	55	2,1	380	0,38	1,8	2,6	475	1,7	2 200	2 800	22315MB.W33	5,26
	75	160	55	2,1	380	0,38	1,8	2,6	475	1,7	2 200	2 800	22315MA.C4.F80.W33	5,26
80	80	140	33	2	210	0,25	2,6	4	275	2,6	2 600	3 400	22216C.W33	2,05
	80	140	33	2	210	0,25	2,6	4	275	2,6	2 600	3 400	22216K.C.W33	2,05
	80	140	33	2	195	0,24	2,8	4,1	250	2,7	2 200	3 000	22216MB.W33	2,14
	80	170	39	2,1	310	0,23	2,9	4,4	400	2,9	2 200	3 000	21316C.W33	4,25
	80	170	39	2,1	310	0,23	2,9	4,4	400	2,9	2 200	3 000	21316K.C.W33	4,20
	80	170	58	2,1	450	0,35	1,9	2,9	550	1,8	2 200	2 600	22316C.W33	6,29
	80	170	58	2,1	410	0,25	2,6	4	500	2,6	1 800	2 400	22316MB.W33	6,20
	80	170	58	2,1	410	0,25	2,6	4	500	2,6	1 800	2 400	22316MA.C4.F80.W33	6,10
85	85	150	36	2	250	0,26	2,6	3,9	325	2,6	2 400	3 200	22217C.W33	2,55
	85	150	36	2	250	0,26	2,6	3,9	325	2,6	2 400	3 200	22217K.C.W33	2,50
	85	150	36	2	230	0,25	2,7	4	295	2,6	2 200	2 800	22217MB.W33	2,78
	85	180	41	3	350	0,22	3	4,5	450	2,9	2 200	2 800	21317C.W33	5,10
	85	180	41	3	350	0,22	3	4,5	450	2,9	2 200	2 800	21317K.C.W33	5,00
	85	180	60	3	500	0,33	2	3	620	2	1 800	2 400	22317C.W33	8,59
	85	180	60	3	460	0,37	1,8	2,7	570	1,8	1 700	2 200	22317MB.W33	7,25
	85	180	60	3	460	0,37	1,8	2,7	570	1,8	1 700	2 200	22317MA.C4.F80.W33	7,20
90	90	160	40	2	305	0,27	2,5	3,8	410	2,5	2 200	3 000	22218C.W33	3,25
	90	160	40	2	305	0,27	2,5	3,8	410	2,5	2 200	3 000	22218K.C.W33	3,20
	90	160	40	2	280	0,26	2,6	3,8	375	2,5	2 200	2 800	22218MB.W33	3,57
	90	160	52,4	2	340	0,34	2	3	485	2	1 500	2 000	23218MB.W33	4,60
	90	160	52,4	2	340	0,34	2	3	485	2	1 500	2 000	23218K.MB.W33	4,50
	90	190	43	3	385	0,22	3	4,5	510	2,9	2 200	2 800	21318C.W33	5,80
	90	190	43	3	385	0,22	3	4,5	510	2,9	2 200	2 800	21318K.C.W33	5,70
	90	190	64	3	570	0,36	1,9	2,8	730	1,8	1 800	2 400	22318C.W33	8,60
	90	190	64	3	570	0,36	1,9	2,8	730	1,8	1 800	2 400	22318K.C.W33	8,50
	90	190	64	3	530	0,37	1,8	2,7	670	1,8	1 700	2 200	22318MB.W33	8,69
95	95	170	43	2,1	340	0,24	2,8	4,2	450	2,8	2 200	2 800	22219C.W33	4,26
	95	170	43	2,1	310	0,26	2,6	3,8	415	2,5	2 000	2 600	22219MB.W33	4,10
	95	170	43	2,1	310	0,26	2,6	3,8	415	2,5	2 000	2 600	22219K.MB.W33	4,00

Self-aligning roller bearings



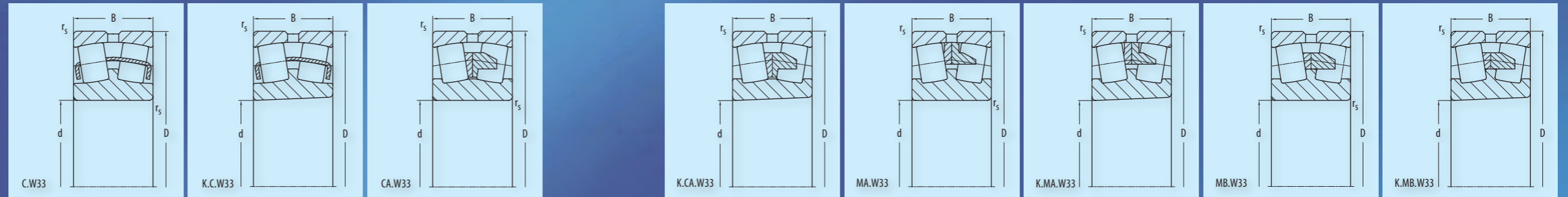
Shaft	Dimension (mm)				Load rating (kN)				Load rating (kN)		Speed limit (min ⁻¹)		Code Bearing	Weight (kg)
	d	D	B	rs	C	e	Y ₁	Y ₂	C ₀	Y ₀	Grease	Oil		
				min	dyn.				stat.					
95	95	200	45	3	420	0,22	3	4,5	580	3	2 000	2 600	21319CA.W33	7,43
	95	200	45	3	385	0,22	3,1	4,6	530	3	1 800	2 400	21319MB.W33	7,15
	95	200	45	3	385	0,22	3,1	4,6	530	3	1 800	2 400	21319K.MB.W33	7,00
	95	200	67	3	320	0,35	1,9	2,9	800	1,8	1 700	2 200	22319C.W33	11,3
	95	200	67	3	570	0,38	1,8	2,7	740	1,7	1 500	2 000	22319MB.W33	10,2
	95	200	67	3	570	0,38	1,8	2,7	740	1,7	1 500	2 000	22319K.MB.W33	10,0
	95	200	67	3	570	0,38	1,8	2,7	740	1,7	1 500	2 000	22319MA.C4.F80.W33	10,0
100	100	165	52	2	355	0,31	2,2	3,2	540	2,1	2 000	2 600	23120MB.W33	4,50
	100	165	52	2	355	0,31	2,2	3,2	540	2,1	2 000	2 600	23120K.MB.W33	4,40
	100	180	46	2,1	375	0,24	2,8	4,2	500	2,8	2 200	2 800	22220C.W33	5,24
	100	180	46	2,1	340	0,27	2,5	3,7	455	2,4	2 000	2 600	22220MB.W33	4,85
	100	180	46	2,1	340	0,27	2,5	3,7	455	2,4	2 000	2 600	22220K.MB.W33	4,80
	100	180	60,3	2,1	495	0,33	2	3	720	2	1 700	2 200	23220C.W33	7,34
	100	180	60,3	2,1	455	0,33	2	3	660	2	1 500	2 000	23220MA.W33	6,70
	100	180	60,3	2,1	455	0,33	2	3	660	2	1 500	2 000	23220K.MA.W33	6,50
	100	215	47	3	460	0,22	3,1	4,7	640	3,1	1 800	2 400	21320CA.W33	9,07
	100	215	47	3	425	0,22	3,1	4,7	580	3,1	1 700	2 200	21320MB.W33	8,80
	100	215	47	3	425	0,22	3,1	4,7	580	3,1	1 700	2 200	21320K.MB.W33	8,30
	100	215	73	3	730	0,37	1,8	2,7	960	1,7	1 500	2 000	22320C.W33	13,2
	100	215	73	3	730	0,37	1,8	2,7	960	1,7	1 500	2 000	22320K.C.W33	13,0
	100	215	73	3	670	0,37	1,8	2,7	880	1,7	1 400	1 800	22320MB.W33	12,7
100	215	73	3	670	0,37	1,8	2,7	880	1,7	1 400	1 800	22320MA.C4.F80.W33	12,7	
110	110	170	45	2	295	0,26	2,6	3,9	485	2,6	2 000	2 600	23022MB.W33	3,75
	110	180	56	2	450	0,3	2,3	3,4	700	2,2	2 000	2 600	23122C.W33	6,26
	110	180	56	2	410	0,3	2,3	3,3	640	2,2	1 800	2 400	23122MB.W33	5,55
	110	180	56	2	410	0,3	2,3	3,3	640	2,2	1 800	2 400	23122K.MB.W33	5,50
	110	180	69	2	550	0,39	1,7	2,6	900	1,7	1 200	1 600	24122CA.W33	6,85
	110	180	69	2	550	0,39	1,7	2,6	900	1,7	1 200	1 600	24122K30.CA.W33	6,80
	110	200	53	2,1	590	0,25	2,7	4	770	2,5	1 800	2 400	22222C.W33	7,45
	110	200	53	2,1	540	0,28	2,4	3,5	700	2,3	1 700	2 200	22222MB.W33	7,10
	110	200	53	2,1	540	0,28	2,4	3,5	700	2,3	1 700	2 200	22222K.MB.W33	7,00
	110	200	69,8	2,1	620	0,33	2	3	920	2	1 400	1 800	23222C.W33	10,8
	110	200	69,8	2,1	570	0,33	2	3	840	2	1 200	1 600	23222MB.W33	9,70
	110	200	69,8	2,1	570	0,33	2	3	840	2	1 200	1 600	23222K.MB.W33	9,50
	110	240	50	3	510	0,21	3,2	4,8	690	3,2	1 500	2 000	21322MB.W33	12,0
	110	240	50	3	510	0,21	3,2	4,8	690	3,2	1 500	2 000	21322K.MB.W33	11,7

Self-aligning roller bearings



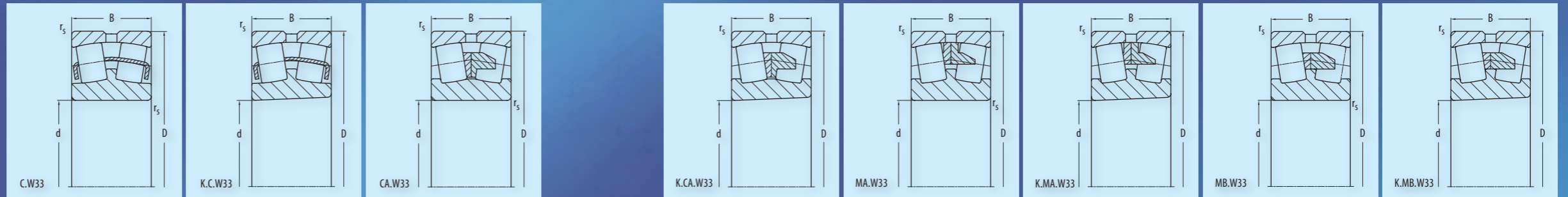
Shaft	Dimension (mm)				Load rating (kN)				Load rating (kN)		Speed limit (min ⁻¹)		Code Bearing	Weight (kg)
	d	D	B	r _s	C	e	Y ₁	Y ₂	C ₀	Y ₀	Grease	Oil		
110	110	240	80	3	870	0,37	1,8	2,7	1 160	1,8	1 400	1 900	22322C.W33	18,0
	110	240	80	3	870	0,37	1,8	2,7	1 160	1,8	1 400	1 900	22322K.C.W33	17,5
	110	240	80	3	800	0,37	1,8	2,7	1 060	1,8	1 300	1 700	22322MA.W33	18,4
	110	240	80	3	800	0,37	1,8	2,7	1 060	1,8	1 300	1 700	22322MB.W33	17,7
	110	240	80	3	800	0,37	1,8	2,7	1 060	1,8	1 300	1 700	22322MA.C4.F80.W33	17,7
120	120	180	46	2	365	0,22	3	4,6	610	2,8	2 000	2 600	23024C.W33	4,25
	120	180	46	2	335	0,24	2,8	4,2	560	2,8	1 800	2 400	23024MB.W33	4,20
	120	180	46	2	335	0,24	2,8	4,2	560	2,8	1 800	2 400	23024K.MB.W33	4,10
	120	180	60	2	450	0,32	2,1	3,1	800	2	1 500	2 000	24024CA.W33	5,40
	120	180	60	2	450	0,32	2,1	3,1	800	2	1 500	2 000	24024K30.CA.W33	5,30
	120	180	60	2	410	0,32	2,1	3,1	740	2	1 400	1 800	24024MB.W33	5,12
	120	200	62	2	495	0,31	2,2	3,3	770	2,2	1 700	2 200	23124MB.W33	7,80
	120	200	62	2	495	0,31	2,2	3,3	770	2,2	1 700	2 200	23124K.MB.W33	7,60
	120	200	80	2	630	0,4	1,7	2,5	1 050	1,6	1 000	1 300	24124MB.W33	10,2
	120	200	80	2	630	0,4	1,7	2,5	1 050	1,6	1 000	1 300	24124K30.MB.W33	10,0
	120	215	58	2,1	560	0,29	2,3	3,5	800	2,3	1 700	2 200	22224C.W33	8,70
	120	215	58	2,1	560	0,29	2,3	3,5	800	2,3	1 700	2 200	22224K.C.W33	8,60
	120	215	58	2,1	510	0,29	2,3	3,5	740	2,3	1 500	2 000	22224MB.W33	9,04
	120	215	76	2,1	730	0,35	1,9	2,9	1 120	1,8	1 300	1 700	23224C.W33	13,1
	120	215	76	2,1	670	0,37	1,8	2,7	1 020	1,8	1 100	1 500	23224MB.W33	12,0
	120	215	76	2,1	670	0,37	1,8	2,7	1 020	1,8	1 100	1 500	23224K.MB.W33	11,8
	120	260	86	3	1 010	0,35	1,9	2,9	1 340	1,8	1 300	1 700	22324C.W33	24,5
	120	260	86	3	930	0,36	1,8	2,7	1 230	1,8	1 100	1 500	22324MB.W33	22,0
120	260	86	3	930	0,36	1,8	2,7	1 230	1,8	1 100	1 500	22324K.MB.W33	21,8	
120	260	86	3	930	0,36	1,8	2,7	1 230	1,8	1 100	1 500	22324MA.C4.F80.W33	21,8	
130	130	200	52	2	450	0,23	2,9	4,4	730	2,8	1 800	2 400	23026C.W33	4,59
	130	200	52	2	410	0,23	2,9	4,4	670	2,8	1 700	2 200	23026MB.W33	6,10
	130	200	52	2	410	0,23	2,9	4,4	670	2,8	1 700	2 200	23026K.MB.W33	6,00
	130	200	69	2	530	0,34	2	3	900	1,9	1 200	1 600	24026MB.W33	7,95
	130	200	69	2	530	0,34	2	3	900	1,9	1 200	1 600	24026K30.MB.W33	7,85
	130	210	64	2	590	0,28	2,4	3,6	940	2,5	1 700	2 200	23126C.W33	9,70
	130	210	64	2	540	0,3	2,3	3,3	860	2,2	1 500	2 000	23126MB.W33	8,55
	130	210	64	2	540	0,3	2,3	3,3	860	2,2	1 500	2 000	23126K.MB.W33	8,30
	130	210	80	2	650	0,37	1,8	2,7	1 100	1,8	900	1 200	24126MB.W33	11,0
	130	210	80	2	650	0,37	1,8	2,7	1 100	1,8	900	1 200	24126K30.MB.W33	10,8

Self-aligning roller bearings



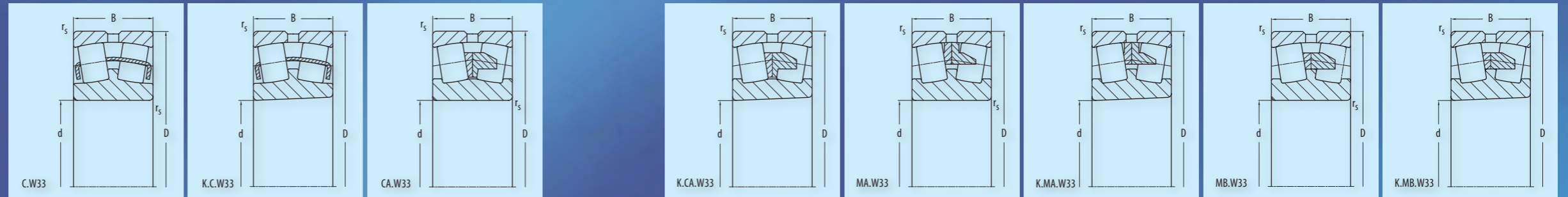
Shaft	Dimension (mm)				Load rating (kN)				Load rating (kN)		Speed limit (min ⁻¹)		Code Bearing	Weight (kg)
	d	D	B	r _s	C	e	Y ₁	Y ₂	C ₀	Y ₀	Grease	Oil		
				min	dyn.				stat.					
130	130	230	64	3	660	0,29	2,3	3,5	960	2,3	1 700	2 200	22226C.W33	14,0
	130	230	64	3	660	0,29	2,3	3,5	960	2,3	1 700	2 200	22226K.C.W33	13,8
	130	230	64	3	600	0,29	2,3	3,4	880	2,2	1 500	2 000	22226MB.W33	11,2
	130	230	80	3	830	0,33	2	3	1 270	2	1 300	1 700	23226C.W33	15,8
	130	230	80	3	760	0,33	2	3	1 170	2	1 100	1 500	23226MB.W33	14,0
	130	230	80	3	760	0,33	2	3	1 170	2	1 100	1 500	23226K.MB.W33	13,8
	130	280	93	4	1 170	0,35	1,9	2,9	1 580	1,8	1 200	1 600	22326C.W33	28,5
	130	280	93	4	1 080	0,37	1,8	2,7	1 450	1,8	1 100	1 400	22326MB.W33	28,5
	130	280	93	4	1 080	0,37	1,8	2,7	1 450	1,8	1 100	1 400	22326K.MB.W33	28,3
130	280	93	4	1 080	0,37	1,8	2,7	1 450	1,8	1 100	1 400	22326MA.C4.F80.W33	28,3	
140	140	210	53	2	475	0,22	3	4,6	820	2,8	1 700	2 200	23028C.W33	7,20
	140	210	53	2	435	0,22	3	4,6	750	2,8	1 500	2 000	23028MB.W33	6,55
	140	210	53	2	435	0,22	3	4,6	750	2,8	1 500	2 000	23028K.MB.W33	6,00
	140	210	69	2	550	0,32	2,1	3,1	990	2,1	1 100	1 500	24028MB.W33	8,45
	140	210	69	2	550	0,32	2,1	3,1	990	2,1	1 100	1 500	24028K30.MB.W33	8,35
	140	225	68	2,1	660	0,28	2,4	3,6	1 080	2,5	1 500	2 000	23128C.W33	11,8
	140	225	68	2,1	600	0,3	2,3	3,3	990	2,2	1 400	1 800	23128MB.W33	10,5
	140	225	68	2,1	600	0,3	2,3	3,3	990	2,2	1 400	1 800	23128K.MB.W33	10,2
	140	225	85	2,1	740	0,37	1,8	2,7	1 280	1,8	850	1 100	24128MB.W33	13,2
	140	225	85	2,1	740	0,37	1,8	2,7	1 280	1,8	850	1 100	24128K30.MB.W33	13,0
	140	250	68	3	730	0,26	2,6	3,9	1 080	2,5	1 400	1 900	22228C.W33	14,4
	140	250	68	3	670	0,29	2,3	3,5	990	2,3	1 300	1 700	22228MB.W33	14,0
	140	250	68	3	670	0,29	2,3	3,5	990	2,3	1 300	1 700	22228K.MB.W33	13,8
	140	250	88	3	880	0,37	1,8	2,7	1 380	1,8	1 000	1 300	23228MB.W33	18,5
	140	250	88	3	880	0,37	1,8	2,7	1 380	1,8	1 000	1 300	23228K.MB.W33	18,2
	140	300	102	4	1 360	0,35	1,9	2,9	1 870	1,8	1 100	1 400	22328C.W33	45,7
140	300	102	4	1 240	0,38	1,7	2,6	1 720	1,7	1 000	1 300	22328MB.W33	34,5	
140	300	102	4	1 240	0,38	1,7	2,6	1 720	1,7	1 000	1 300	22328K.MB.W33	34,1	
140	300	102	4	1 240	0,38	1,7	2,6	1 720	1,7	1 000	1 300	22328MA.C4.F80.W33	34,1	
150	150	225	56	2,1	520	0,22	3	4,6	900	2,8	1 500	2 000	23030C.W33	8,57
	150	225	56	2,1	480	0,22	3	4,6	830	2,8	1 400	1 800	23030MB.W33	7,80
	150	225	56	2,1	480	0,22	3	4,6	830	2,8	1 400	1 800	23030K.MB.W33	7,80
	150	225	75	2,1	620	0,33	2,1	3,1	1 140	2	1 100	1 400	24030MB.W33	10,5
	150	225	75	2,1	620	0,33	2,1	3,1	1 140	2	1 100	1 400	24030K30.MB.W33	10,3
	150	250	80	2,1	800	0,32	2,1	3,2	1 320	2,1	1 300	1 700	23130MB.W33	16,3
	150	250	80	2,1	800	0,32	2,1	3,2	1 320	2,1	1 300	1 700	23130K.MB.W33	16,0

Self-aligning roller bearings



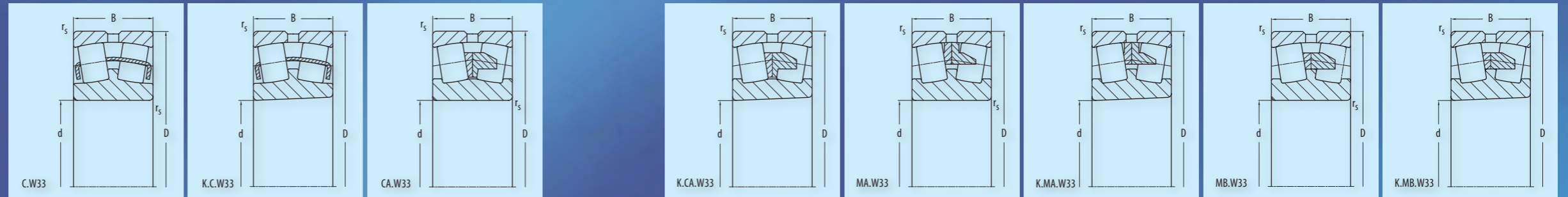
Shaft	Dimension (mm)				Load rating (kN)				Load rating (kN)		Speed limit (min ⁻¹)		Code	Weight (kg)
	d	D	B	r _s	C	e	Y ₁	Y ₂	C ₀	Y ₀	Grease	Oil		
													min	dyn.
150	150	250	100	2,1	1 080	0,37	1,8	2,7	1 840	1,8	850	1 100	24130C.W33	19,4
	150	250	100	2,1	1 080	0,4	1,7	2,5	1 840	1,6	850	1 100	24130CA.W33	19,5
	150	250	100	2,1	1 080	0,4	1,7	2,5	1 840	1,6	850	1 100	24130K30.CA.W33	19,1
	150	270	73	3	880	0,26	2,6	3,9	1 300	2,5	1 400	1 800	22230C.W33	18,8
	150	270	73	3	810	0,29	2,3	3,5	1 190	2,3	1 200	1 600	22230MB.W33	18,0
	150	270	73	3	810	0,29	2,3	3,5	1 190	2,3	1 200	1 600	22230K.MB.W33	17,7
	150	270	96	3	1 030	0,38	1,8	2,7	1 610	1,7	1 000	1 300	23230MB.W33	24,5
	150	270	96	3	1 030	0,38	1,8	2,7	1 610	1,7	1 000	1 300	23230K.MB.W33	24,0
	150	320	108	4	1 520	0,35	1,9	2,9	2 110	1,8	1 100	1 400	22330C.W33	44,6
	150	320	108	4	1 400	0,38	1,7	2,6	1 940	1,7	1 000	1 300	22330MB.W33	43,5
	150	320	108	4	1 400	0,38	1,7	2,6	1 940	1,7	1 000	1 300	22330K.MB.W33	43,1
	150	320	108	4	1 400	0,38	1,7	2,6	1 940	1,7	1 000	1 300	22330MA.C4.F80.W33	43,1
160	160	240	60	2,1	610	0,22	3	4,6	1 060	2,8	1 400	1 900	23032C.W33	10,4
	160	240	60	2,1	560	0,22	3	4,6	970	2,8	1 300	1 700	23032MB.W33	9,70
	160	240	60	2,1	560	0,22	3	4,6	970	2,8	1 300	1 700	23032K.MB.W33	9,50
	160	240	80	2,1	720	0,32	2,1	3,1	1 320	2	1 000	1 300	24032MB.W33	13,3
	160	240	80	2,1	720	0,32	2,1	3,1	1 320	2	1 000	1 300	24032K30.MB.W33	13,0
	160	270	109	2,1	1 350	0,41	1,6	2,5	2 110	1,6	850	1 100	24132C.W33	25,5
	160	270	109	2,1	1 250	0,41	1,6	2,5	2 100	1,6	850	1 100	24132K30.C.W33	25,1
	160	270	86	2,1	1 010	0,3	2,3	3,4	1 640	2,2	1 400	1 800	23132C.W33	22,9
	160	270	86	2,1	930	0,32	2,1	3,2	1 510	2,1	1 200	1 600	23132MB.W33	20,5
	160	270	86	2,1	930	0,32	2,1	3,2	1 510	2,1	1 200	1 600	23132K.MB.W33	20,1
	160	290	80	3	1 040	0,26	2,6	3,9	1 550	2,5	1 300	1 700	22232C.W33	24,9
	160	290	80	3	950	0,29	2,3	2,4	1 420	2,3	1 100	1 500	22232MB.W33	23,3
	160	290	80	3	950	0,29	2,3	2,4	1 420	2,3	1 100	1 500	22232K.MB.W33	22,9
	160	290	104	3	1 180	0,38	1,8	2,7	1 830	1,7	900	1 200	23232MB.W33	31,7
	160	290	104	3	1 180	0,38	1,8	2,7	1 830	1,7	900	1 200	23232K.MB.W33	31,7
	160	340	114	4	1 660	0,35	1,9	2,9	2 350	1,8	1 000	1 300	22332C.W33	52,6
	160	340	114	4	1 520	0,37	1,8	2,7	2 160	1,8	900	1 200	22332MA.W33	50,5
	160	340	114	4	1 520	0,37	1,8	2,7	2 160	1,8	900	1 200	22332MB.W33	50,8
160	340	114	4	1 520	0,37	1,8	2,7	2 160	1,8	900	1 200	22332K.MB.W33	50,0	
160	340	114	4	1 520	0,37	1,8	2,7	2 160	1,8	900	1 200	22332MA.C4.F80.W33	50,8	
170	170	260	67	2,1	750	0,23	2,9	4,4	1 270	2,8	1 400	1 800	23034C.W33	14,2
	170	260	67	2,1	680	0,23	2,9	4,4	1 170	2,8	1 200	1 600	23034MB.W33	13,4
	170	260	67	2,1	680	0,23	2,9	4,4	1 170	2,8	1 200	1 600	23034K.MB.W33	13,3

Self-aligning roller bearings



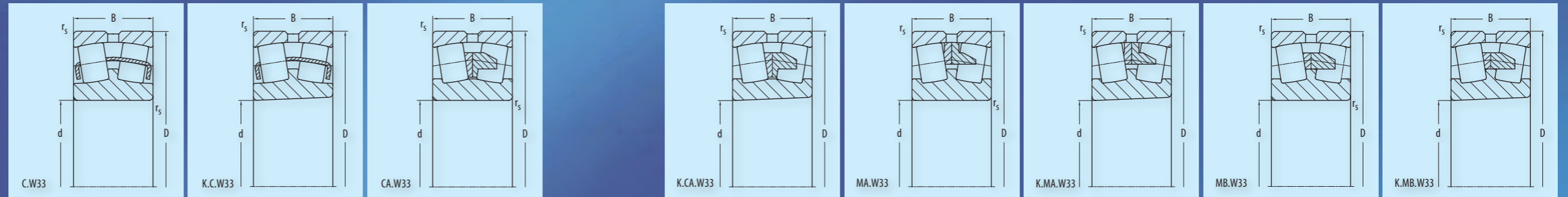
Shaft	Dimension (mm)				Load rating (kN)				Load rating (kN)		Speed limit (min ⁻¹)		Code Bearing	Weight (kg)
	d	D	B	r _s	C	e	Y ₁	Y ₂	C ₀	Y ₀	Grease	Oil		
				min	dyn.				stat.					
170	170	260	90	2,1	880	0,34	2	3	1 610	2	1 000	1 300	24034MB.W33	17,7
	170	260	90	2,1	880	0,34	2	3	1 610	2	1 000	1 300	24034K30.MB.W33	17,2
	170	280	88	2,1	1 080	0,3	2,3	3,4	1 800	2,2	1 300	1 700	23134C.W33	27,3
	170	280	88	2,1	990	0,31	2,2	3,2	1 650	2,1	1 100	1 500	23134MB.W33	22,3
	170	280	88	2,1	990	0,31	2,2	3,2	1 650	2,1	1 100	1 500	23134K.MB.W33	22,0
	170	280	109	2,1	1 280	0,37	1,8	2,7	2 230	1,8	750	1 000	24134C.W33	27,3
	170	280	109	2,1	1 280	0,39	1,7	2,6	2 230	1,7	750	1 000	24134CA.W33	26,4
	170	280	109	2,1	1 280	0,39	1,7	2,6	2 230	1,7	750	1 000	24134K30.CA.W33	26,0
	170	310	86	4	1 170	0,27	2,5	3,7	1 750	2,5	1 200	1 600	22234C.W33	31,7
	170	310	86	4	1 080	0,3	2,3	3,4	1 610	2,2	1 100	1 400	22234MB.W33	28,9
	170	310	86	4	1 080	0,3	2,3	3,4	1 610	2,2	1 100	1 400	22234 MBKW33	29,4
	170	310	110	4	1 460	0,35	1,9	2,9	2 320	1,8	900	1 200	23234C.W33	35,7
	170	310	110	4	1 460	0,35	1,9	2,9	2 320	1,8	900	1 200	23234CA.W33	37,2
	170	310	110	4	1 340	0,36	1,9	2,8	2 120	1,8	850	1 100	23234MB.W33	37,8
	170	310	110	4	1 340	0,36	1,9	2,8	2 120	1,8	850	1 100	23234K.MB.W33	37,2
	170	360	120	4	1 850	0,33	2	3	2 590	2	900	1 200	22334C.W33	65,3
	170	360	120	4	1 690	0,37	1,8	2,7	2 380	1,8	850	1 100	22334MB.W33	62,2
170	360	120	4	1 690	0,37	1,8	2,7	2 380	1,8	850	1 100	22334K.MB.W33	60,2	
170	360	120	4	1 690	0,37	1,8	2,7	2 380	1,8	850	1 100	22334MA.C4.F80.W33	60,2	
180	180	280	74	2,1	870	0,24	2,8	4,2	1 500	2,8	1 300	1 700	23036C.W33	19,8
	180	280	74	2,1	800	0,24	2,8	4,2	1 380	2,8	1 100	1 500	23036MB.W33	17,6
	180	280	74	2,1	800	0,24	2,8	4,2	1 380	2,8	1 100	1 500	23036K.MB.W33	17,0
	180	280	100	2,1	1 030	0,36	1,9	2,8	1 900	1,9	900	1 200	24036MB.W33	23,2
	180	280	100	2,1	1 030	0,36	1,9	2,8	1 900	1,9	900	1 200	24036K30.MB.W33	23,0
	180	300	96	3	1 260	0,3	2,3	3,4	2 110	2,2	1 200	1 600	23136C.W33	30,6
	180	300	96	3	1 160	0,32	2,1	3,1	1 940	2,1	1 100	1 400	23136MB.W33	28,4
	180	300	96	3	1 160	0,32	2,1	3,1	1 940	2,1	1 100	1 400	23136K.MB.W33	28,0
	180	300	118	3	1 460	0,4	1,7	2,5	2 590	1,6	700	950	24136C.W33	33,7
	180	300	118	3	1 460	0,4	1,7	2,5	2 590	1,6	700	950	24136K30.C.W33	33,0
	180	320	86	4	1 210	0,26	2,6	3,9	1 870	2,5	1 100	1 500	22236C.W33	33,1
	180	320	86	4	1 110	0,29	2,3	3,5	1 720	2,3	1 100	1 400	22236MB.W33	30,4
	180	320	86	4	1 110	0,29	2,3	3,5	1 720	2,3	1 100	1 400	22236K.MB.W33	29,4
	180	320	112	4	1 420	0,36	1,9	2,8	2 330	1,8	750	1 000	23236MB.W33	40,8
	180	320	112	4	1 420	0,36	1,9	2,8	2 330	1,8	750	1 000	23236K.MB.W33	40,1

Self-aligning roller bearings



Shaft	Dimension (mm)				Load rating (kN)				Load rating (kN)		Speed limit (min ⁻¹)		Code	Weight (kg)
	d	D	B	r _s	C	e	Y ₁	Y ₂	C ₀	Y ₀	Grease	Oil		
				min	dyn.				stat.					
180	180	380	126	4	1 900	0,37	1,8	2,7	2 700	1,8	850	1 100	22336MB.W33	69,0
	180	380	126	4	1 900	0,37	1,8	2,7	2 700	1,8	850	1 100	22336K.MB.W33	68,2
	180	380	126	4	1 900	0,37	1,8	2,7	2 700	1,8	850	1 100	22336MA.C4.F80.W33	68,2
190	190	290	75	2,1	900	0,23	2,9	4,4	1 910	4,4	1 200	1 600	23038C.W33	19,8
	190	290	75	2,1	830	0,26	2,6	3,9	1 470	2,6	1 100	1 400	23038MB.W33	18,6
	190	290	75	2,1	830	0,26	2,6	3,9	1 470	2,6	1 100	1 400	23038K.MB.W33	18,0
	190	290	100	2,1	1 080	0,34	2	3	1 980	2	850	1 100	24038MB.W33	24,3
	190	290	100	2,1	1 080	0,34	2	3	1 980	2	850	1 100	24038K30.MB.W33	24,0
	190	320	104	3	1 320	0,33	2	3	2 290	2	1 100	1 400	23138MB.W33	35,6
	190	320	104	3	1 320	0,33	2	3	2 290	2	1 100	1 400	23138C.W33	35,0
	190	320	128	3	1 680	0,4	1,7	2,5	3 000	1,6	670	900	24138CA.W33	41,6
	190	320	128	3	1 540	0,41	1,7	2,5	2 750	1,6	600	800	24138MB.W33	41,8
	190	320	128	3	1 540	0,41	1,7	2,5	2 750	1,6	600	800	24138K30.MB.W33	41,2
	190	340	92	4	1 330	0,26	2,6	3,9	2 040	2,5	1 100	1 400	22238C.W33	40,0
	190	340	92	4	1 220	0,29	2,3	3,4	1 870	2,3	1 000	1 300	22238MB.W33	37,7
	190	340	92	4	1 220	0,29	2,3	3,4	1 870	2,3	1 000	1 300	22238K.MB.W33	37,2
	190	340	120	4	1 750	0,35	1,9	2,9	2 880	1,8	850	1 100	23238C.W33	52,4
	190	340	120	4	1 610	0,36	1,9	2,8	2 640	1,8	750	1 000	23238MB.W33	48,9
	190	340	120	4	1 610	0,36	1,9	2,8	2 640	1,8	750	1 000	23238K.MB.W33	48,1
	190	400	132	5	2 060	0,37	1,8	2,7	2 920	1,8	750	1 000	22338MB.W33	84,8
	190	400	132	5	2 060	0,37	1,8	2,7	2 920	1,8	750	1 000	22338K.MB.W33	83,0
200	200	280	60	2,1	525	0,2	3,4	5,1	1 020	3,3	1 100	1 400	23940MB.W33	11,5
	200	280	60	2,1	525	0,2	3,4	5,1	1 020	3,3	1 100	1 400	23940K.MB.W33	11,5
	200	310	82	2,1	880	0,24	2,8	4,2	1 560	2,8	1 100	1 500	23040CA.W33	23,5
	200	310	82	2,1	880	0,24	2,8	4,2	1 560	2,8	1 100	1 500	23040K.CA.W33	23,5
	200	310	82	2,1	960	0,25	2,7	4	1 730	2,6	1 500	1 800	23040MB.W33	23,6
	200	310	109	2,1	1 140	0,33	2	3	2 060	2	850	1 100	24040CA.W33	30,5
	200	310	109	2,1	1 140	0,33	2	3	2 060	2	850	1 100	24040K30.CA.W33	30,5
	200	340	112	3	1 370	0,35	1,9	2,9	2 460	1,9	1 100	1 400	23140CA.W33	43,5
	200	340	112	3	1 370	0,35	1,9	2,9	2 460	1,9	1 100	1 400	23140K.CA.W33	43,5
	200	340	140	3	1 400	0,4	1,7	2,5	2 385	1,6	560	750	24140MB.W33	51,5
	200	340	140	3	1 400	0,4	1,7	2,5	2 385	1,6	560	750	24140K30.MB.W33	51,5
	200	360	98	4	1 250	0,29	2,3	3,4	2 020	2,3	1 100	1 400	22240CA.W33	45,0
	200	360	98	4	1 250	0,29	2,3	3,4	2 020	2,3	1 100	1 400	22240K.CA.W33	45,0
	200	360	128	4	1 620	0,35	1,9	2,9	2 590	1,8	750	1 000	23240MB.W33	58,5
	200	360	128	4	1 620	0,35	1,9	2,9	2 590	1,8	750	1 000	23240K.MB.W33	58,5

Self-aligning roller bearings



Shaft	Dimension (mm)				Load rating (kN)				Load rating (kN)		Speed limit (min ⁻¹)		Code Bearing	Weight (kg)
	d	D	B	rs min	C dyn.	e	Y ₁	Y ₂	C ₀ stat.	Y ₀	Grease	Oil		
200	200	420	138	5	1 910	0,36	1,8	2,8	2 750	1,8	670	900	22340MB.W33	95,0
	200	420	138	5	1 910	0,36	1,8	2,8					22340K.MB.W33	
220	220	300	60	2,1	600	0,18	3,8	5,6	1 240	3,7	1 400	1 700	23944MB.W33	12,5
240	240	360	92	3	1 080	0,23	3	4,5	2 130	2,9	1 300	1 500	23048MB.W33	34,9
260	260	360	75	2,1	950	0,19	3,5	5,3	1 940	3,5	1 200	1 400	23952MB.W33	23,7
	260	440	180	4	2 660	0,38	1,8	2,6					5 050	
280	280	380	75	2,1	960	0,18	3,8	5,6	2 040	3,7	1 100	1 300	23956MB.W33	25,1
300	300	380	60	2,1	630	0,14	4,8	7,2	1 500	4,7	1 100	1 300	23860MB.W33	16,5
	300	420	90	3	1 270	0,2	3,4	5,1					2 630	
320	320	440	90	3	1 320	0,19	3,6	5,4	2 770	3,5	790	940	23964MB.W33	41,1
340	340	420	60	2,1	720	0,13	5,3	7,8	1 780	5,2	850	1 100	23868MB.W33	18,5
	340	520	133	5	2 350	0,25	2,7	4					4 590	
380	380	520	106	4	1 770	0,19	3,6	5,3	3 990	3,5	640	760	23976MB.W33	68,6
420	420	560	106	4	1 920	0,18	3,9	5,7	4 460	3,8	570	680	23984MB.W33	74,8
	420	700	280	6	6 200	0,4	1,7	2,5					12 700	
440	440	600	118	4	2 200	0,18	3,7	5,5	5 150	3,6	530	630	23988MB.W33	102
	440	650	157	6	3 400	0,24	2,8	4,2					7 100	
480	480	650	128	5	2 500	0,18	3,8	5,6	5 950	3,7	480	570	23996B.MB.W33	125

Clamping sleeves

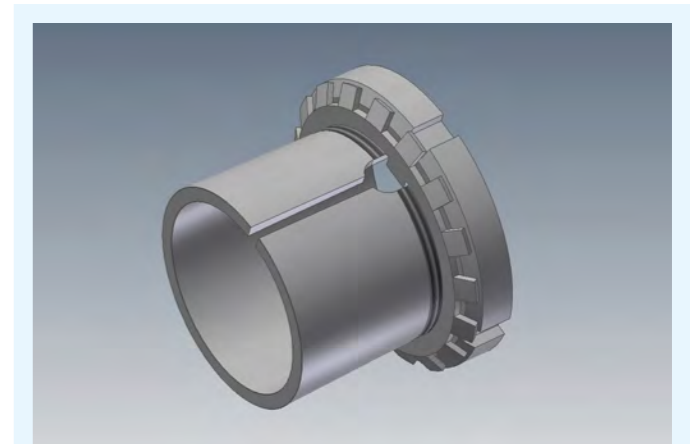
Clamping sleeves are used to mount cylindrical roller, self aligning ball bearings and self-aligning roller bearings with tapered bore (taper 1:12) on shafts.

Clamping sleeves consist of steel with a minimum tensile strength of 430 N/mm² at manufacturer's option.

Coarser tolerances of the shaft diameter can be selected as compared with cylindrical bearing seats. The radial clearance of the bearings can be set by means of the clamping sleeves.

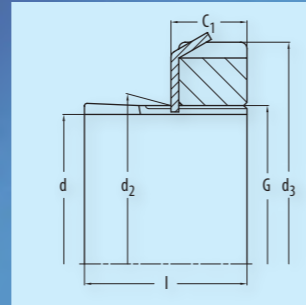
For the assignment of clamping sleeve, nut and locking unit please refer to DIN 5415.

The scope of supply of the clamping sleeve includes the relevant nut and locking plate if ordered without specification.



Clamping sleeve

Norms	
Assignment of clamping sleeve, nut and locking unit	DIN 5415
Nuts	DIN 981
Nut locks (locking plates resp. locking bracket)	DIN 5406



Shaft	Dimension (mm)						Sleeve complete with		Code	Weight in kg
	d	d ₂	l	d ₃	G	c ₁	Nut	Locking unit		
17	17	20	24	32	M 20x1	7	KM 4	MB 4	H 204	0,041
	17	20	28	32	M 20x1	7	KM 4	MB 4	H 304	0,045
	17	20	31	32	M 20x1	7	KM 4	MB 4	H 2304	0,049
20	20	25	26	38	M 25x1,5	8	KM 5	MB 5	H 205	0,070
	20	25	29	38	M 25x1,5	8	KM 5	MB 5	H 305	0,075
	20	25	35	38	M 25x1,5	8	KM 5	MB 5	H 2305	0,087
25	25	30	27	45	M 30x1,5	8	KM 6	MB 6	H 206	0,099
	25	30	31	45	M 30x1,5	8	KM 6	MB 6	H 306	0,109
	25	30	38	45	M 30x1,5	8	KM 6	MB 6	H 2306	0,126
30	30	35	29	52	M 35x1,5	9	KM 7	MB 7	H 207	0,125
	30	35	35	52	M 35x1,5	9	KM 7	MB 7	H 307	0,142
	30	35	43	52	M 35x1,5	9	KM 7	MB 7	H 2307	0,165
35	35	40	31	58	M 40x1,5	10	KM 8	MB 8	H 208	0,174
	35	40	36	58	M 40x1,5	10	KM 8	MB 8	H 308	0,189
	35	40	46	58	M 40x1,5	10	KM 8	MB 8	H 2308	0,224
40	40	45	33	65	M 45x1,5	11	KM 9	MB 9	H 209	0,227
	40	45	39	65	M 45x1,5	11	KM 9	MB 9	H 309	0,248
	40	45	50	65	M 45x1,5	11	KM 9	MB 9	H 2309	0,280
45	45	50	35	70	M 50x1,5	12	KM 10	MB 10	H 210	0,274
	45	50	42	70	M 50x1,5	12	KM 10	MB 10	H 310	0,303
	45	50	55	70	M 50x1,5	12	KM 10	MB 10	H 2310	0,362
50	50	55	37	75	M 55x2	12,5	KM 11	MB 11	H 211	0,308
	50	55	45	75	M 55x2	12,5	KM 11	MB 11	H 311	0,345
	50	55	59	75	M 55x2	12,5	KM 11	MB 11	H 2311	0,420
55	55	60	38	80	M 60x2	13	KM 12	MB 12	H 212	0,346
	55	60	47	80	M 60x2	13	KM 12	MB 12	H 312	0,394
	55	60	62	80	M 60x2	13	KM 12	MB 12	H 2312	0,481
60	60	65	40	85	M 65x2	14	KM 13	MB 13	H 213	0,401
	60	65	50	85	M 65x2	14	KM 13	MB 13	H 313	0,458
	60	65	65	85	M 65x2	14	KM 13	MB 13	H 2313	0,557
	60	70	41	92	M 70x2	14	KM 14	MB 14	H 214	0,593
	60	70	52	92	M 70x2	14	KM 14	MB 14	H 314	0,723
	60	70	68	92	M 70x2	14	KM 14	MB 14	H 2314	0,897
65	65	75	43	98	M 75x2	15	KM 15	MB 15	H 215	0,707
	65	75	55	98	M 75x2	15	KM 15	MB 15	H 315	0,831
	65	75	73	98	M 75x2	15	KM 15	MB 15	H 2315	1,05

Shaft	Dimension (mm)						Sleeve complete with		Code	Weight in kg
	d	d ₂	l	d ₃	G	c ₁	Nut	Locking unit		
70	70	80	46	105	M 80x2	17	KM 16	MB 16	H 216	0,882
	70	80	59	105	M 80x2	17	KM 16	MB 16	H 316	1,03
	70	80	78	105	M 80x2	17	KM 16	MB 16	H 2316	1,28
75	75	85	50	110	M 85x2	18	KM 17	MB 17	H 217	1,02
	75	85	63	110	M 85x2	18	KM 17	MB 17	H 317	1,18
	75	85	82	110	M 85x2	18	KM 17	MB 17	H 2317	1,45
80	80	90	52	120	M 90x2	18	KM 18	MB 18	H 218	1,19
	80	90	65	120	M 90x2	18	KM 18	MB 18	H 318	1,37
	80	90	86	120	M 90x2	18	KM 18	MB 18	H 2318	1,69
85	85	95	55	125	M 95x2	19	KM 19	MB 19	H 219	1,37
	85	95	68	125	M 95x2	19	KM 19	MB 19	H 319	1,56
	85	95	90	125	M 95x2	19	KM 19	MB 19	H 2319	1,92
90	90	100	58	130	M 100x2	20	KM 20	MB 20	H 220	1,49
	90	100	71	130	M 100x2	20	KM 20	MB 20	H 320	1,69
	90	100	76	130	M 100x2	20	KM 20	MB 20	H 3120	1,80
	90	100	97	130	M 100x2	20	KM 20	MB 20	H 2320	2,15
95	95	105	60	140	M 105x2	20	KM 21	MB 21	H 221	1,72
	95	105	74	140	M 105x2	20	KM 21	MB 21	H 321	1,95
100	100	110	63	145	M 110x2	21	KM 22	MB 22	H 222	1,93
	100	110	77	145	M 110x2	21	KM 22	MB 22	H 322	2,18
	100	110	81	145	M 110x2	21	KM 22	MB 22	H 3122	2,25
	100	110	105	145	M 110x2	21	KM 22	MB 22	H 2322	2,74

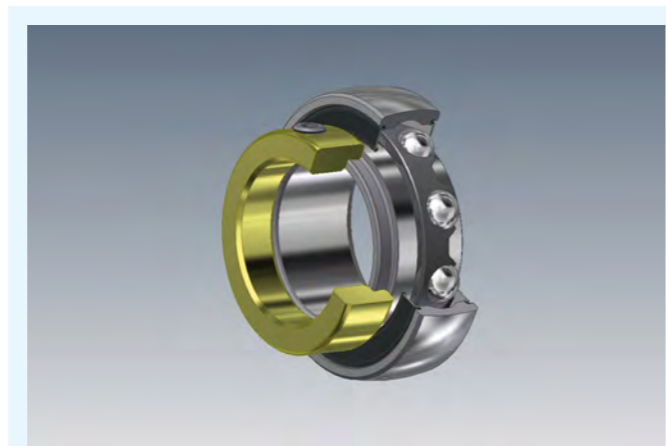
S-type bearings

S-type bearings are preferably used in the field of agricultural machinery, conveyors and similar in order to realize simple bearings.

Typically S-type bearing is a sealed deep groove ball bearing with a spherical outer surface.

Six versions of S-type bearings are offered:

- Series 162...
- Series 262...
- Series 362...B
- Series 462...
- Series 562... as well as
- Series 762...B.2RSR



S-type bearing

Lubrication

Due to their serial grease filling all s-type bearings are maintenance-free. The bearings can be used at operating temperatures between -30° C and 100° C.

Angular adjustment facility

S-type bearings can compensate misalignments up to 5° from the center position (not applicable for series 262...).

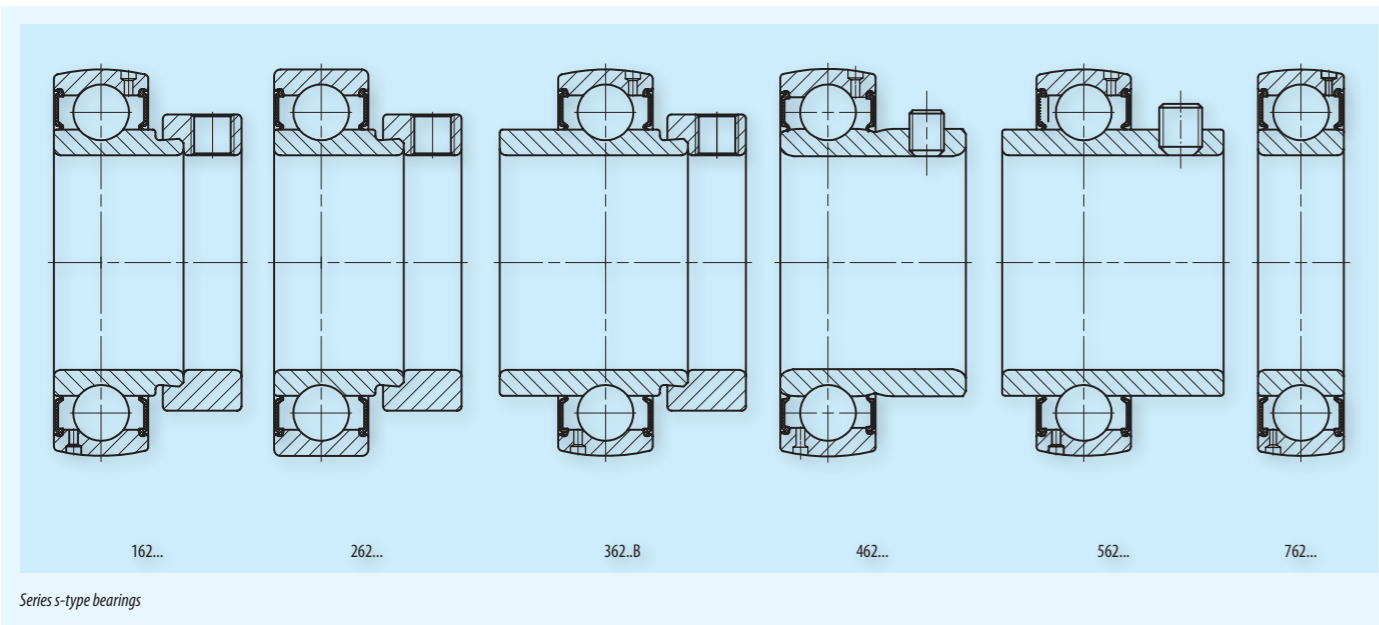
Cage

The standard cage of s-type bearings consists of fiber-glass reinforced polyamide 66.

Tolerances, bearing clearance

The s-type bearings of series 162..., 262..., 362...B, 462... and 562... have a modified bore tolerance. In each case a loose fit is obtained if the shaft has a tolerance zone h9. The outer diameters correspond to the standard tolerance of radial bearings. The standard radial clearance of all s-type bearing series is C3.

Norms	
S-type bearings	DIN 626-1



Series s-type bearings

The first five series are provided each with a wide inner ring. These bearings are fixed at a shaft either by means of an eccentric ring (series 162..., 262... and 362...B) or with two threaded pins (series 462... and series 562...).

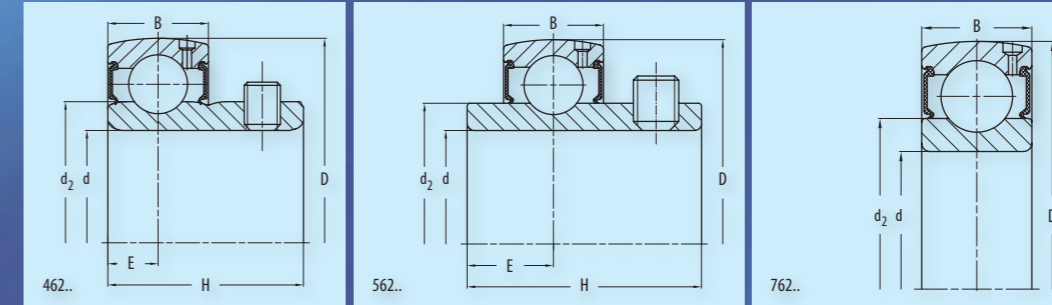
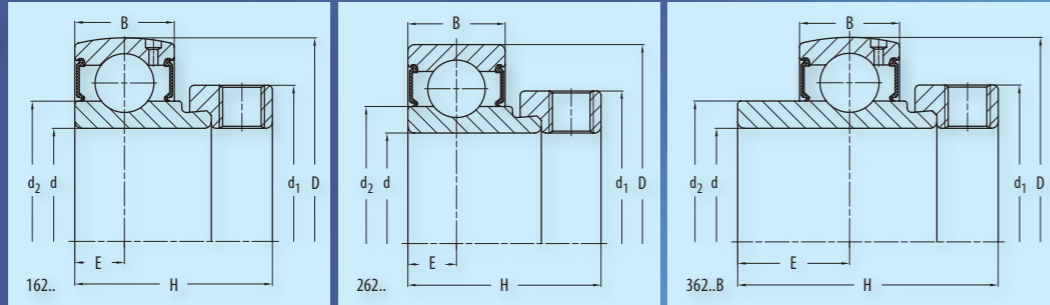
The bearings of series 762...B.2RSR are identical in construction with series 62...2RSR; the difference here is the spherical outer ring. Series 562... is provided with discs and sheet-metal centrifugal discs as protection against coarse contamination.

Bore tolerances of s-type bearings of series 162..., 262..., 362..B, 462... and 562... (dimensions in mm)

Nominal bore diameter	from up to	17	20	35	55
		15	18	21	24
Deviation in μm	Δ_{dmp}	0	0	0	0

S-type bearings

Bearings



S-type bearings

Bearings

Shaft	Dimension (mm)						Load rating (kN)		Code	Weight	
	d	D	B	E	H	d ₁	d ₂	C			C ₀
									dyn.	stat.	Bearing
15	15	40	12	6,5	28,6	28	24	7,35	4,75	16203/15	0,130
17	17	40	12	6,5	28,6	28	24	9,5	4,75	16203	0,130
	17	40	12	6	22		23,9	9,5	4,75	46203	0,120
	17	40	12				24	9,5	4,75	76203B.2RSR	0,064
20	20	47	14	7,5	31	33	28,75	9,8	6,55	16204	0,160
	20	47	14	7,5	31	33	28,75	9,8	6,55	26204	0,150
	20	47	14	17,1	43,7	33	28,75	9,8	6,55	36204B	0,200
	20	47	14	7	25		28,3	9,8	6,55	46204	0,140
	20	47	14	12,7	31		28,75	9,8	6,55	56204	0,150
25	20	47	14				28,75	9,8	6,55	76204B.2RSR	0,100
	25	52	15	7,5	31	37,5	33,5	10,8	8	16205	0,190
	25	52	15	7,5	31	37,5	33,5	10,8	8	26205	0,220
	25	52	15	17,5	44,4	37,5	33,5	10,8	8	36205B	0,250
	25	52	15	7,5	27		33,5	10,8	8	46205	0,180
25	25	52	15	14,3	34,1		33,5	10,8	8	56205	0,190
	25	52	15				33,5	10,8	8	76205B.2RSR	0,130
	30	62	18	9	35,7	44	40	15	11,2	16206	0,320
30	30	62	16	9	35,7	44	40	15	11,2	26206	0,280
	30	62	18	18,3	48,4	44	40	15	11,2	36206B	0,370
	30	62	18	9	30		39,4	15	11,2	46206	0,300
	30	62	18	15,9	38,1		40	15	11,2	56206	0,310
	30	62	18				40	15	11,2	76206B.2RSR	0,200
	35	72	19	9,5	38,9	51	47,2	19,6	15,3	16207	0,530
35	35	72	17	9,5	38,9	51	47,2	19,6	15,3	26207	0,400
	35	72	19	18,8	51,1	51	47,2	19,6	15,3	36207B	0,570
	35	72	19	9,5	35		46,9	19,6	15,3	46207	0,460
	35	72	19	17,5	42,9		47,2	19,6	15,3	56207	0,470
	35	72	17				47,2	19,6	15,3	76207B.2RSR	0,290
	40	80	21	11	43,7	58	52,95	22,4	18	16208	0,630
40	40	80	18	11	43,7	58	52,95	22,4	18	26208	0,550
	40	80	21	21,5	56,3	58	52,95	22,4	18	36208B	0,730
	40	80	21	10,5	39,5		52,4	22,4	18	46208	0,640
	40	80	21	19	49,2		52,95	22,4	18	56208	0,650
	40	80	18				52,95	22,4	18	76208B.2RSR	0,370

Shaft	Dimension (mm)						Load rating (kN)		Code	Weight	
	d	D	B	E	H	d ₁	d ₂	C			C ₀
									dyn.	stat.	Bearing
45	45	85	22	11	43,7	62,9	57,2	25	20,4	16209	0,740
	45	85	19	11	43,7	62,9	57,2	25	20,4	26209	0,620
	45	85	22	21,4	56,3	62,9	57,2	25	20,4	36209B	0,770
	45	85	22	11	41,5		57	25	20,4	46209	0,670
	45	85	22	19	49,2		57,2	25	20,4	56209	0,680
50	45	85	19				57,2	25	20,4	76209B.2RSR	0,410
	50	90	22	11	43,7	69	62	27	24	16210	0,740
	50	90	20	11	43,7	69	62	27	24	26210	0,700
	50	90	22	24,6	62,7	69	62	27	24	36210B	0,920
	50	90	22	11	43		62	27	24	46210	0,800
50	50	90	22	19	51,6		62	27	24	56210	0,810
	50	90	20				62	27	24	76210B.2RSR	0,450
	55	100	24	12	48,4	76	68,65	33,5	29	16211	0,800
	55	100	21	12	48,4	76	68,65	33,5	29	26211	0,760
	55	100	24	27,8	71,4	76	68,65	33,5	29	36211B	1,43
55	55	100	25	12,5	45		69,5	33,5	29	46211	1,06
	55	100	24	22,2	55,6		68,65	33,5	29	56211	1,07
	55	100	21				68,65	33,5	29	76211B.2RSR	0,610
	60	110	24	13,5	53,1	84	75,75	40,5	36	16212	0,950
60	60	110	22	13,5	53,1	84	75,75	40,5	36	26212	0,900
	60	110	24	31	77,8	84	75,75	40,5	36	36212B	1,90
	60	110	24	12	47		76	40,5	36	46212	1,41
	60	110	24	25,4	65,1		75,75	40,5	36	56212	1,42
	60	110	22				75,75	40,5	36	76212B.2RSR	0,788

Housing units

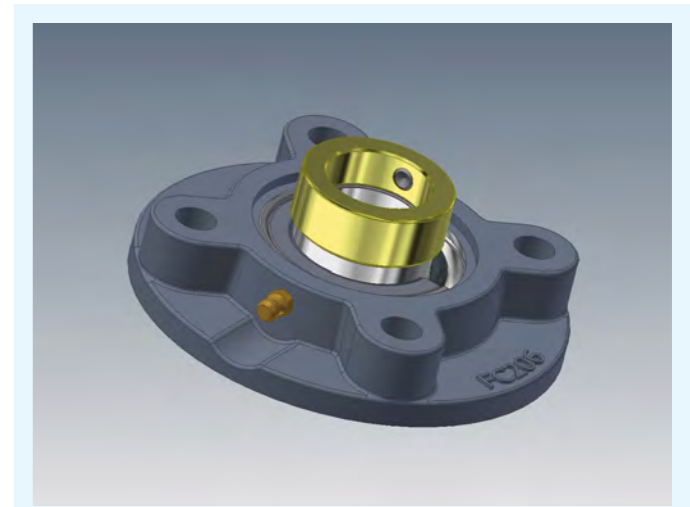
One housing unit is consisting of a one house and one relating bearing. The housings are mostly made from grey cast iron and have a hollow spherical bore.

The housings can be used for s-type bearings of series 162, 362B, 462, 562 and 762.

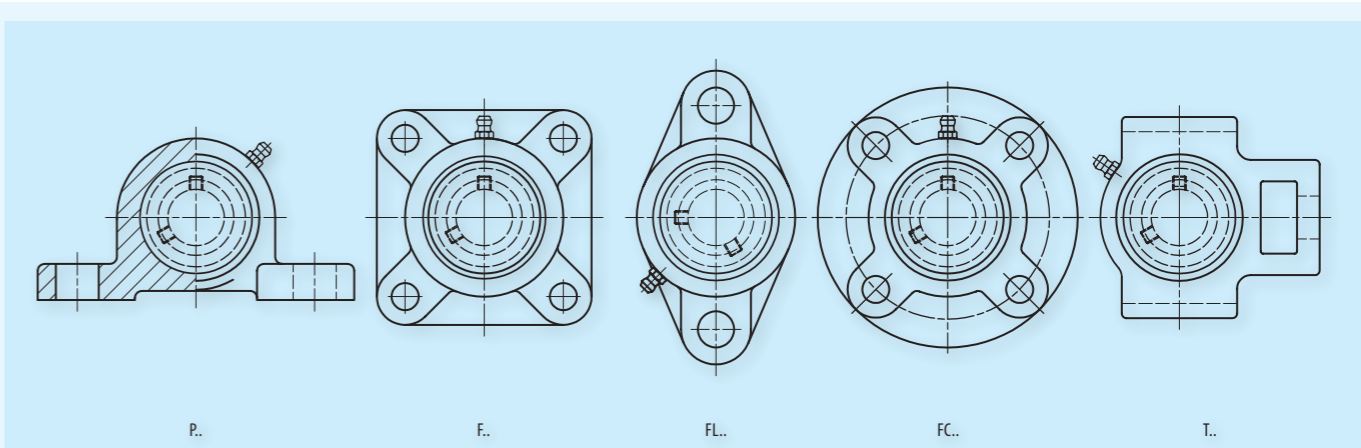
Spindel- und Lagerungstechnik Fraureuth GmbH offers pillow block units (P2), flange bearing units (F2), two-hole flange bearing units (FL2), four-hole flange bearing units (FC2) and clamping bearing units (T2).

Norms

Housing units for s-type bearings	DIN 626-2
-----------------------------------	-----------



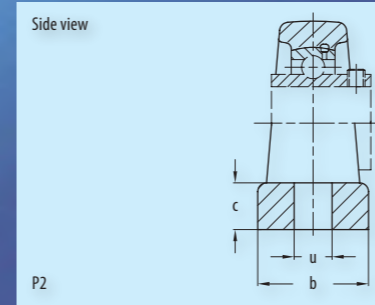
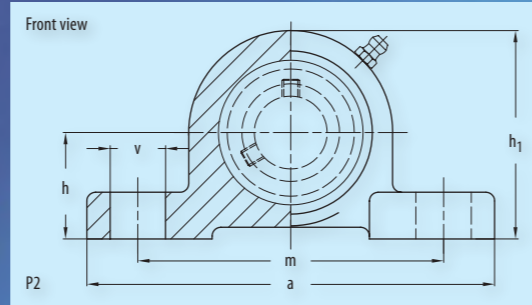
Four-hole flange bearing unit



Series of housing units

S-type bearings

pillow block units



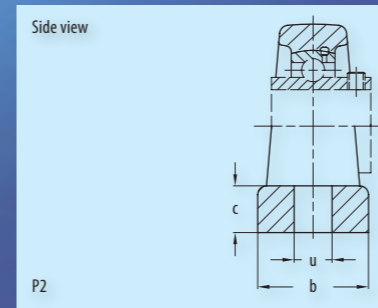
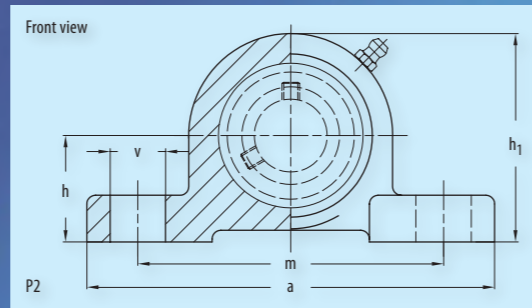
S-type bearings

pillow block units

Shaft	Dimension (mm)									Code	Weight (kg)		
	d	a	b	c	h	h ₁	m	u	v				
20	20	127	38	14	33,3	65	95	13	19	16204	P204	P16204	0,700
	20	127	38	14	33,3	65	95	13	19	36204B	P204	P36204B	0,750
	20	127	38	14	33,3	65	95	13	19	46204	P204	P46204	0,680
	20	127	38	14	33,3	65	95	13	19	56204	P204	P56204	0,690
	20	127	38	14	33,3	65	95	13	19	76204B.2RSR	P204	P76204B.2RSR	0,656
25	25	140	38	15	36,5	71	105	13	19	16205	P205	P16205	0,920
	25	140	38	15	36,5	71	105	13	19	36205B	P205	P36205B	0,970
	25	140	38	15	36,5	71	105	13	19	46205	P205	P46205	0,910
	25	140	38	15	36,5	71	105	13	19	56205	P205	P56205	0,890
	25	140	38	15	36,5	71	105	13	19	76205B.2RSR	P205	P76205B.2RSR	0,828
30	30	165	48	17	42,9	83	121	17	21	16206	P206	P16206	1,30
	30	165	48	17	42,9	83	121	17	21	36206B	P206	P36206B	1,42
	30	165	48	17	42,9	83	121	17	21	46206	P206	P46206	1,28
	30	165	48	17	42,9	83	121	17	21	56206	P206	P56206	1,31
	30	165	48	17	42,9	83	121	17	21	76206B.2RSR	P206	P76206B.2RSR	1,19
35	35	167	48	18	47,6	93	127	17	21	16207	P207	P16207	1,75
	35	167	48	18	47,6	93	127	17	21	36207B	P207	P36207B	1,89
	35	167	48	18	47,6	93	127	17	21	46207	P207	P46207	1,68
	35	167	48	18	47,6	93	127	17	21	56207	P207	P56207	1,72
	35	167	48	18	47,6	93	127	17	21	76207B.2RSR	P207	P76207B.2RSR	1,54
40	40	184	54	18	49,2	98	137	17	21	16208	P208	P16208	2,23
	40	184	54	18	49,2	98	137	17	21	36208B	P208	P36208B	2,44
	40	184	54	18	49,2	98	137	17	21	46208	P208	P46208	2,24
	40	184	54	18	49,2	98	137	17	21	56208	P208	P56208	2,21
	40	184	54	18	49,2	98	137	17	21	76208B.2RSR	P208	P76208B.2RSR	1,97
45	45	190	54	20	54	106	146	17	21	16209	P209	P16209	2,53
	45	190	54	20	54	106	146	17	21	36209B	P209	P36209B	2,73
	45	190	54	20	54	106	146	17	21	46209	P209	P46209	2,46
	45	190	54	20	54	106	146	17	21	56209	P209	P56209	2,61
	45	190	54	20	54	106	146	17	21	76209B.2RSR	P209	P76209B.2RSR	2,26
50	50	206	60	21	57,2	114	159	20	25	16210	P210	P16210	3,17
	50	206	60	21	57,2	114	159	20	25	36210B	P210	P36210B	3,41
	50	206	60	21	57,2	114	159	20	25	46210	P210	P46210	3,23
	50	206	60	21	57,2	114	159	20	25	56210	P210	P56210	3,17
	50	206	60	21	57,2	114	159	20	25	76210B.2RSR	P210	P76210B.2RSR	2,86

S-type bearings

pillow block units



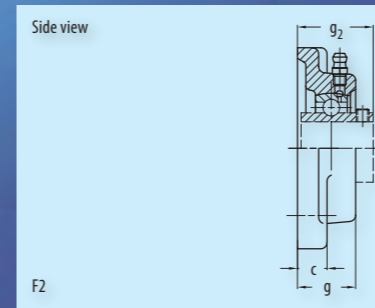
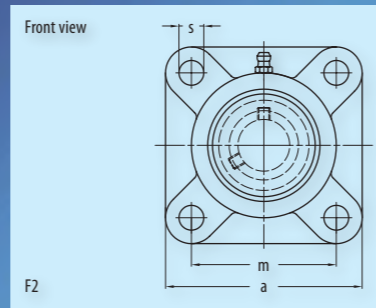
S-type bearings

pillow block units

Shaft	Dimension (mm)									Bearing	Code			Weight (kg)
	d	a	b	c	h	h ₁	m	u	v		Housing	Bearing and housing		
60	60	241	70	25	69,8	138	184	20	25	16212	P212	P16212	4,77	
	60	241	70	25	69,8	138	184	20	25	36212B	P212	P36212B	5,50	
	60	241	70	25	69,8	138	184	20	25	46212	P212	P46212	5,23	
	60	241	70	25	69,8	138	184	20	25	56212	P212	P56212	5,12	

S-type bearing

flange bearing units

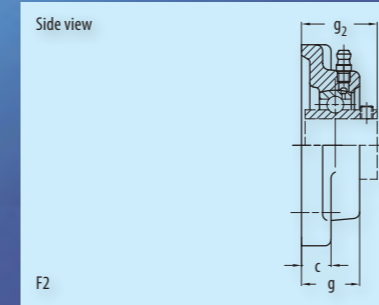
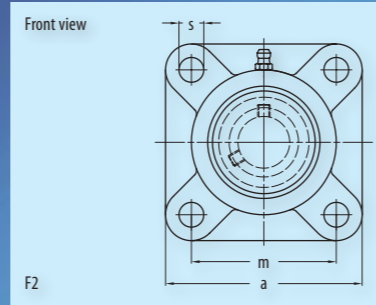


S-type bearing

flange bearing units

Shaft	Dimension (mm)							Code			Weight (kg)
	d	a	c	g	g ₂	m	s	Bearing	Housing	Bearing and housing	
20	20	86	12	25,5	33,3	64	12	16204	F204	F16204	0,750
	20	86	12	25,5		64	12	36204B	F204	F36204B	0,800
	20	86	12	25,5		64	12	46204	F204	F46204	0,740
	20	86	12	25,5		64	12	56204	F204	F56204	0,740
	20	86	12	25,5		64	12	76204B.2RSR	F204	F76204B.2RSR	0,706
25	25	95	14	27	35,8	70	12	16205	F205	F16205	1,02
	25	95	14	27		70	12	36205B	F205	F36205B	1,07
	25	95	14	27		70	12	46205	F205	F46205	1,04
	25	95	14	27		70	12	56205	F205	F56205	0,990
	25	95	14	27		70	12	76205B.2RSR	F205	F76205B.2RSR	0,928
30	30	108	14	31	40,2	83	12	16206	F206	F16206	1,30
	30	108	14	31		83	12	36206B	F206	F36206B	1,42
	30	108	14	31		83	12	46206	F206	F46206	1,40
	30	108	14	31		83	12	56206	F206	F56206	1,31
	30	108	14	31		83	12	76206B.2RSR	F206	F76206B.2RSR	1,19
35	35	117	16	34	44,4	92	14	16207	F207	F16207	1,80
	35	117	16	34		92	14	36207B	F207	F36207B	1,94
	35	117	16	34		92	14	46207	F207	F46207	2,06
	35	117	16	34		92	14	56207	F207	F56207	1,77
	35	117	16	34		92	14	76207B.2RSR	F207	F76207B.2RSR	1,59
40	40	130	16	36	51,2	102	16	16208	F208	F16208	2,28
	40	130	16	36		102	16	36208B	F208	F36208B	2,49
	40	130	16	36		102	16	46208	F208	F46208	2,54
	40	130	16	36		102	16	56208	F208	F56208	2,26
	40	130	16	36		102	16	76208B.2RSR	F208	F76208B.2RSR	2,02
45	45	137	18	38	52,2	105	16	16209	F209	F16209	2,68
	45	137	18	38		105	16	36209B	F209	F36209B	2,88
	45	137	18	38		105	16	46209	F209	F46209	3,07
	45	137	18	38		105	16	56209	F209	F56209	2,76
	45	137	18	38		105	16	76209B.2RSR	F209	F76209B.2RSR	2,41
50	50	143	18	40	54,6	111	16	16210	F210	F16210	2,97
	50	143	18	40		111	16	36210B	F210	F36210B	3,21
	50	143	18	40		111	16	46210	F210	F46210	3,40
	50	143	18	40		111	16	56210	F210	F56210	2,97
	50	143	18	40		111	16	76210B.2RSR	F210	F76210B.2RSR	2,66

S-type bearing
flange bearing units

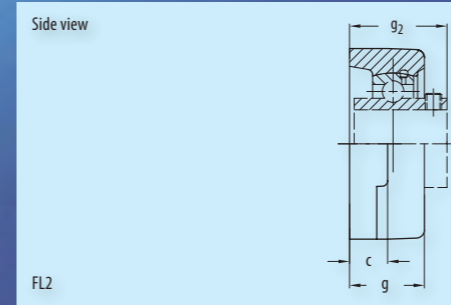
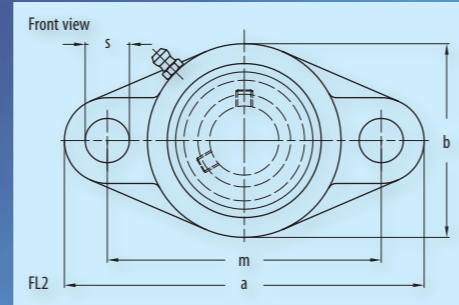


S-type bearing
flange bearing units

Shaft	Dimension (mm)							Code			Weight (kg)
	d	a	c	g	g ₂	m	s	Bearing	Housing	Bearing and housing	
60	60	175	20	48		143	19	16212	F212	F16212	4,42
	60	175	20	48		143	19	36212B	F212	F36212B	5,15
	60	175	20	48		143	19	46212	F212	F46212	5,61
	60	175	20	48	68,7	143	19	56212	F212	F56212	4,77

S-type bearing

two-hole flange bearing units

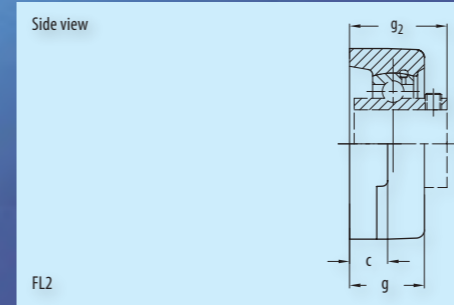
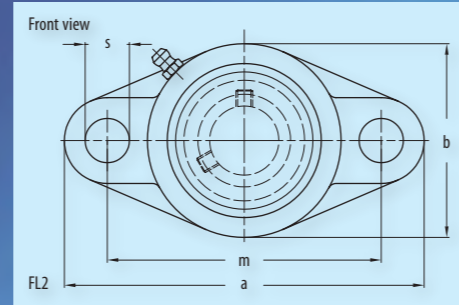


S-type bearing

two-hole flange bearing units

Shaft	Dimension (mm)								Code			Weight (kg)
	d	a	c	b	g	g ₂	m	s	Bearing	Housing	Bearing and housing	
20	20	113	12	60	25,5	33,3	90	12	16204	FL204	FL16204	0,550
	20	113	12	60	25,5		90	12	36204B	FL204	FL36204B	0,600
	20	113	12	60	25,5		90	12	46204	FL204	FL46204	0,420
	20	113	12	60	25,5		90	12	56204	FL204	FL56204	0,540
	20	113	12	60	25,5		90	12	76204B.2RSR	FL204	FL76204B.2RSR	0,506
25	25	130	14	68	27	35,7	99	16	16205	FL205	FL16205	0,820
	25	130	14	68	27		99	16	36205B	FL205	FL36205B	0,870
	25	130	14	68	27		99	16	46205	FL205	FL46205	0,580
	25	130	14	68	27		99	16	56205	FL205	FL56205	0,790
	25	130	14	68	27		99	16	76205B.2RSR	FL205	FL76205B.2RSR	0,728
30	30	148	14	80	31	40,2	117	16	16206	FL206	FL16206	1,05
	30	148	14	80	31		117	16	36206B	FL206	FL36206B	1,17
	30	148	14	80	31		117	16	46206	FL206	FL46206	0,840
	30	148	14	80	31		117	16	56206	FL206	FL56206	1,06
	30	148	14	80	31		117	16	76206B.2RSR	FL206	FL76206B.2RSR	0,943
35	35	161	16	90	34	44,4	130	16	16207	FL207	FL16207	1,40
	35	161	16	90	34		130	16	36207B	FL207	FL36207B	1,54
	35	161	16	90	34		130	16	46207	FL207	FL46207	1,11
	35	161	16	90	34		130	16	56207	FL207	FL56207	1,37
	35	161	16	90	34		130	16	76207B.2RSR	FL207	FL76207B.2RSR	1,19
40	40	175	16	100	36	51,2	144	16	16208	FL208	FL16208	1,88
	40	175	16	100	36		144	16	36208B	FL208	FL36208B	2,09
	40	175	16	100	36		144	16	46208	FL208	FL46208	1,44
	40	175	16	100	36		144	16	56208	FL208	FL56208	1,86
	40	175	16	100	36		144	16	76208B.2RSR	FL208	FL76208B.2RSR	1,62
45	45	188	18	108	38	52,2	148	19	16209	FL209	FL16209	2,03
	45	188	18	108	38		148	19	36209B	FL209	FL36209B	2,23
	45	188	18	108	38		148	19	46209	FL209	FL46209	1,82
	45	188	18	108	38		148	19	56209	FL209	FL56209	2,11
	45	188	18	108	38		148	19	76209B.2RSR	FL209	FL76209B.2RSR	1,76
50	50	197	18	115	40	54,6	157	19	16210	FL210	FL16210	2,42
	50	197	18	115	40		157	19	36210B	FL210	FL36210B	2,66
	50	197	18	115	40		157	19	46210	FL210	FL46210	2,05
	50	197	18	115	40		157	19	56210	FL210	FL56210	2,42
	50	197	18	115	40		157	19	76210B.2RSR	FL210	FL76210B.2RSR	2,11

S-type bearing
two-hole flange bearing units

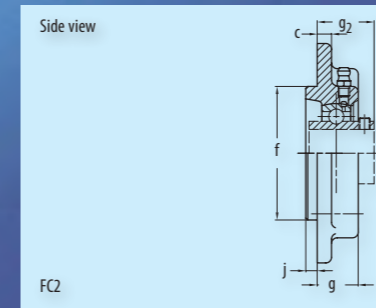
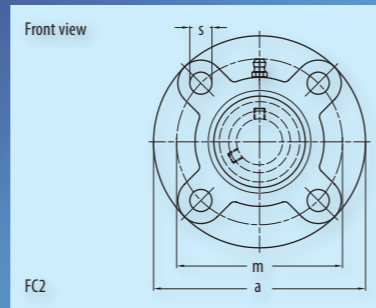


S-type bearing
two-hole flange bearing units

Shaft	Dimension (mm)								Code			Weight (kg)	
	d	a	c	b	g	g ₂	m	s	Bearing	Housing	Bearing and housing		
60	60	250	20	140	48		202	23		16212	FL212	FL16212	3,82
	60	250	20	140	48		202	23		36212B	FL212	FL36212B	4,55
	60	250	20	140	48		202	23		46212	FL212	FL46212	3,51
	60	250	20	140	48	68,7	202	23		56212	FL212	FL56212	4,17

S-type bearing

four-hole flange bearing units

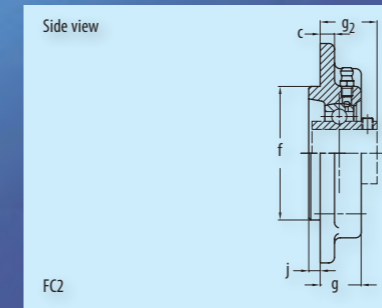
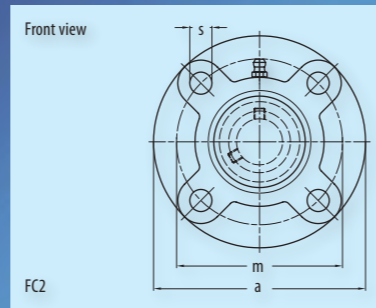


S-type bearing

four-hole flange bearing units

Shaft	Dimension (mm)									Code			Weight (kg)	
	d	a	c	j	f	g	g ₂	m	s	Bearing	Housing	Bearing and housing		
20	20	100	7	5	62	20,5		78	12	28,3	16204	FC204	FC16204	0,730
	20	100	7	5	62	20,5		78	12		36204B	FC204	FC36204B	0,770
	20	100	7	5	62	20,5		78	12		46204	FC204	FC46204	0,710
	20	100	7	5	62	20,5		78	12		56204	FC204	FC56204	0,720
	20	100	7	5	62	20,5		78	12		76204B.2RSR	FC204	FC76204B.2RSR	0,670
25	25	115	7	6	70	21		90	12	29,7	16205	FC205	FC16205	0,980
	25	115	7	6	70	21		90	12		36205B	FC205	FC36205B	1,04
	25	115	7	6	70	21		90	12		46205	FC205	FC46205	0,970
	25	115	7	6	70	21		90	12		56205	FC205	FC56205	0,980
	25	115	7	6	70	21		90	12		76205B.2RSR	FC205	FC76205B.2RSR	0,920
30	30	125	8	8	80	23		100	12	32,2	16206	FC206	FC16206	1,30
	30	125	8	8	80	23		100	12		36206B	FC206	FC36206B	1,35
	30	125	8	8	80	23		100	12		46206	FC206	FC46206	1,28
	30	125	8	8	80	23		100	12		56206	FC206	FC56206	1,29
	30	125	8	8	80	23		100	12		76206B.2RSR	FC206	FC76206B.2RSR	1,18
35	35	135	9	8	90	26		110	14	36,4	16207	FC207	FC16207	1,76
	35	135	9	8	90	26		110	14		36207B	FC207	FC36207B	1,80
	35	135	9	8	90	26		110	14		46207	FC207	FC46207	1,69
	35	135	9	8	90	26		110	14		56207	FC207	FC56207	1,70
	35	135	9	8	90	26		110	14		76207B.2RSR	FC207	FC76207B.2RSR	1,52
40	40	145	9	10	100	26		120	14	41,2	16208	FC208	FC16208	2,07
	40	145	9	10	100	26		120	14		36208B	FC208	FC36208B	2,17
	40	145	9	10	100	26		120	14		46208	FC208	FC46208	2,08
	40	145	9	10	100	26		120	14		56208	FC208	FC56208	2,09
	40	145	9	10	100	26		120	14		76208B.2RSR	FC208	FC76208B.2RSR	1,81
45	45	160	14	12	105	26		132	16	40,2	16209	FC209	FC16209	2,78
	45	160	14	12	105	26		132	16		36209B	FC209	FC36209B	2,81
	45	160	14	12	105	26		132	16		46209	FC209	FC46209	2,71
	45	160	14	12	105	26		132	16		56209	FC209	FC56209	2,72
	45	160	14	12	105	26		132	16		76209B.2RSR	FC209	FC76209B.2RSR	2,45
50	50	165	14	12	110	28		138	16	42,6	16210	FC210	FC16210	2,90
	50	165	14	12	110	28		138	16		36210B	FC210	FC36210B	3,08
	50	165	14	12	110	28		138	16		46210	FC210	FC46210	2,96
	50	165	14	12	110	28		138	16		56210	FC210	FC56210	2,97
	50	165	14	12	110	28		138	16		76210B.2RSR	FC210	FC76210B.2RSR	2,61

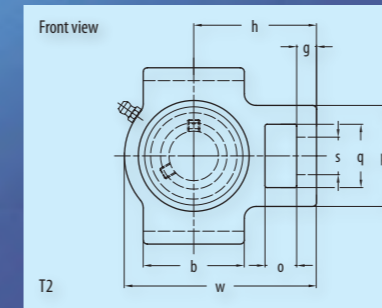
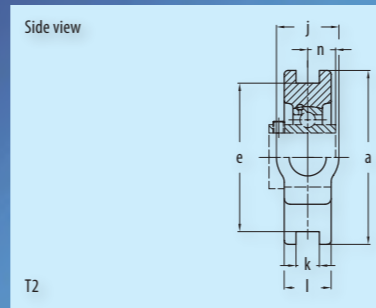
S-type bearing
four-hole flange bearing units



S-type bearing
four-hole flange bearing units

Shaft	Dimension (mm)									Code			Weight (kg)
	d	a	c	j	f	g	g ₂	m	s	Bearing	Housing	Bearing and housing	
60	60	195	15	12	135	36		160	19	16212	FC212	FC16212	4,30
	60	195	15	12	135	36		160	19	36212B	FC212	FC36212B	5,25
	60	195	15	12	135	36		160	19	46212	FC212	FC46212	4,76
	60	195	15	12	135	36	56,7	160	19	56212	FC212	FC56212	4,77

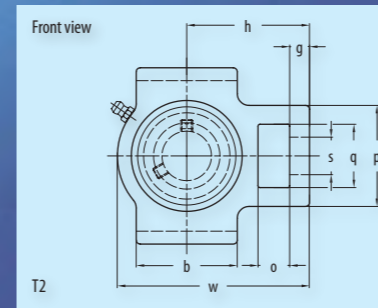
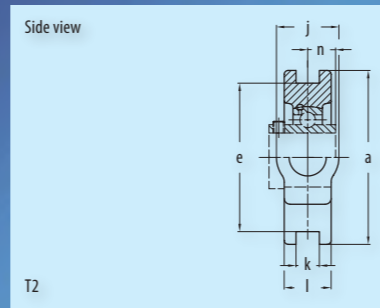
S-type bearing
clamping bearing units



S-type bearing
clamping bearing units

Shaft	Dimension (mm)															Code			Weight (kg)
	d	o	g	p	q	b	k	e	a	w	j	l	h	n	s	Bearing	Housing	Bearing and housing	
20	20	16	10	51	32	51	12	76	89	94	32	21	61	12,7	19	16204	T204	T16204	0,740
	20	16	10	51	32	51	12	76	89	94	32	21	61	12,7	19	36204B	T204	T36204B	0,780
	20	16	10	51	32	51	12	76	89	94	32	21	61	12,7	19	46204	T204	T46204	0,720
	20	16	10	51	32	51	12	76	89	94	32	21	61	12,7	19	56204	T204	T56204	0,730
	20	16	10	51	32	51	12	76	89	94	32	21	61	12,7	19	76204B.2RSR	T204	T76204B.2RSR	0,680
25	25	16	10	51	32	51	12	76	89	97	32	24	62	14,3	19	16205	T205	T16205	0,780
	25	16	10	51	32	51	12	76	89	97	32	24	62	14,3	19	36205B	T205	T36205B	0,840
	25	16	10	51	32	51	12	76	89	97	32	24	62	14,3	19	46205	T205	T46205	0,770
	25	16	10	51	32	51	12	76	89	97	32	24	62	14,3	19	56205	T205	T56205	0,780
	25	16	10	51	32	51	12	76	89	97	32	24	62	14,3	19	76205B.2RSR	T205	T76205B.2RSR	0,720
30	30	16	10	56	37	57	12	89	102	113	37	28	70	15,9	22	16206	T206	T16206	1,21
	30	16	10	56	37	57	12	89	102	113	37	28	70	15,9	22	36206B	T206	T36206B	1,26
	30	16	10	56	37	57	12	89	102	113	37	28	70	15,9	22	46206	T206	T46206	1,19
	30	16	10	56	37	57	12	89	102	113	37	28	70	15,9	22	56206	T206	T56206	1,20
	30	16	10	56	37	57	12	89	102	113	37	28	70	15,9	22	76206B.2RSR	T206	T76206B.2RSR	1,09
35	35	16	13	64	37	64	12	89	102	129	37	30	78	17,5	22	16207	T207	T16207	1,60
	35	16	13	64	37	64	12	89	102	129	37	30	78	17,5	22	36207B	T207	T36207B	1,64
	35	16	13	64	37	64	12	89	102	129	37	30	78	17,5	22	46207	T207	T46207	1,53
	35	16	13	64	37	64	12	89	102	129	37	30	78	17,5	22	56207	T207	T56207	1,54
	35	16	13	64	37	64	12	89	102	129	37	30	78	17,5	22	76207B.2RSR	T207	T76207B.2RSR	1,36
40	40	19	16	83	49	83	16	102	114	144	49	33	88	19	29	16208	T208	T16208	2,29
	40	19	16	83	49	83	16	102	114	144	49	33	88	19	29	36208B	T208	T36208B	2,39
	40	19	16	83	49	83	16	102	114	144	49	33	88	19	29	46208	T208	T46208	2,30
	40	19	16	83	49	83	16	102	114	144	49	33	88	19	29	56208	T208	T56208	2,31
	40	19	16	83	49	83	16	102	114	144	49	33	88	19	29	76208B.2RSR	T208	T76208B.2RSR	2,03
45	45	19	16	83	49	83	16	102	117	144	49	35	87	19	29	16209	T209	T16209	2,36
	45	19	16	83	49	83	16	102	117	144	49	35	87	19	29	36209B	T209	T36209B	2,39
	45	19	16	83	49	83	16	102	117	144	49	35	87	19	29	46209	T209	T46209	2,29
	45	19	16	83	49	83	16	102	117	144	49	35	87	19	29	56209	T209	T56209	2,30
	45	19	16	83	49	83	16	102	117	144	49	35	87	19	29	76209B.2RSR	T209	T76209B.2RSR	2,03
50	50	19	16	83	49	86	16	102	117	149	49	37	90	19	29	16210	T210	T16210	2,42
	50	19	16	83	49	86	16	102	117	149	49	37	90	19	29	36210B	T210	T36210B	2,60
	50	19	16	83	49	86	16	102	117	149	49	37	90	19	29	46210	T210	T46210	2,48
	50	19	16	83	49	86	16	102	117	149	49	37	90	19	29	56210	T210	T56210	2,49
	50	19	16	83	49	86	16	102	117	149	49	37	90	19	29	76210B.2RSR	T210	T76210B.2RSR	2,13

S-type bearing
clamping bearing units



S-type bearing
clamping bearing units

Shaft	Dimension (mm)															Code			Weight (kg)
	d	o	g	p	q	b	k	e	a	w	j	l	h	n	s	Bearing	Housing	Bearing and housing	
60	60	32	19	102	64	102	22	130	146	194	64	42	119	25,4	35	16212	T212	T16212	4,04
	60	32	19	102	64	102	22	130	146	194	64	42	119	25,4	35	36212B	T212	T36212B	4,99
	60	32	19	102	64	102	22	130	146	194	64	42	119	25,4	35	46212	T212	T46212	4,50
	60	32	19	102	64	102	22	130	146	194	64	42	119	25,4	35	56212	T212	T56212	4,51

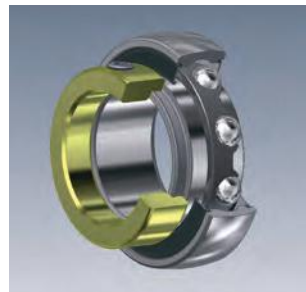
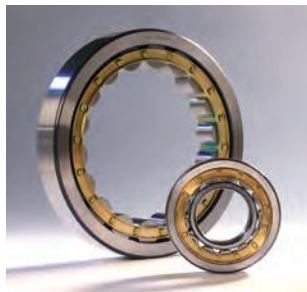


Spindel- und Lagerungstechnik
Fraureuth GmbH

Fabrikgelände 5
D-08427 Fraureuth/Saxony

Phone: +49 / 37 61 / 801-0
Fax: +49 / 37 61 / 801-150

E-Mail: slf@slf-fraureuth.de
www.slf-fraureuth.de



**SPINDEL- UND LAGERUNGSTECHNIK
FRAUREUTH GMBH**

